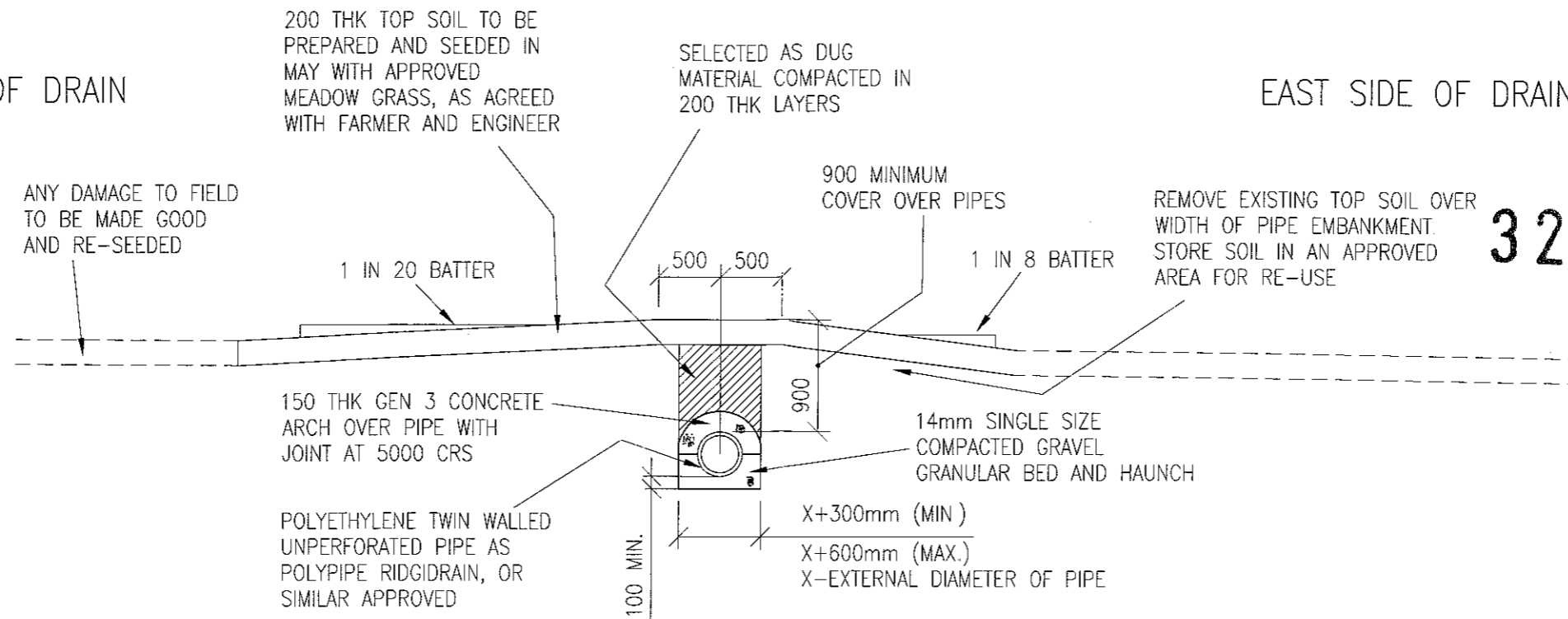


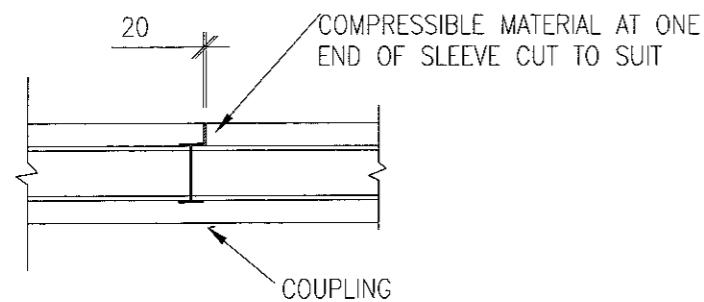
WEST SIDE OF DRAIN

EAST SIDE OF DRAIN



320110947P

TYPICAL CROSS SECTION THROUGH FIELD

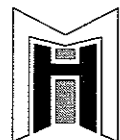


SLEEVE JOINTED PIPES WITH CONCRETE ARCH

NOTES:

1 THIS DRAWING TO BE READ IN CONJUNCTION WITH DRAWING P2153/24

2. SELECTED FILL TO BE FREE FROM FROZEN MATERIAL, FOREIGN MATTER, LUMPS OF CLAY GREATER THAN 100mm AND STONES GREATER THAN 40mm.



H.I.M. ASSOCIATES

CIVIL & STRUCTURAL ENGINEERS

136-138 Victoria Road
Walton-le-Dale
PRESTON PR5 4AU

Tel 01772 498007 Fax 01772 498008
E-mail engineer@himconsult.co.uk
Website himconsult.co.uk



REVISIONS
ISSUED FOR CONSTRUCTION.
PIPE SPEC. & NOTES ADDED, SLOPE
TO WEST REDUCED TO 1 IN 20.

REV DRAWN BY CHECKED BY DATE
AA RD DM OCT 11

REVISIONS
ISSUED FOR COSTING

REV. DRAWN BY CHECKED BY DATE
A DM RD MAR 11

PROJECT
DUKE OF LANCASTER HOUSING TRUST
DUNSOP BRIDGE

SCALE DRAWN BY DATE
1:50 DM MAR 11

DRAWING TITLE
TYPICAL DETAIL SHOWING
PIPE BEDDING AND FILL FOR
OFF-SITE DRAINAGE ACROSS FIELD

JOB/DRG. NUMBER REVISION
P2153/18 AA