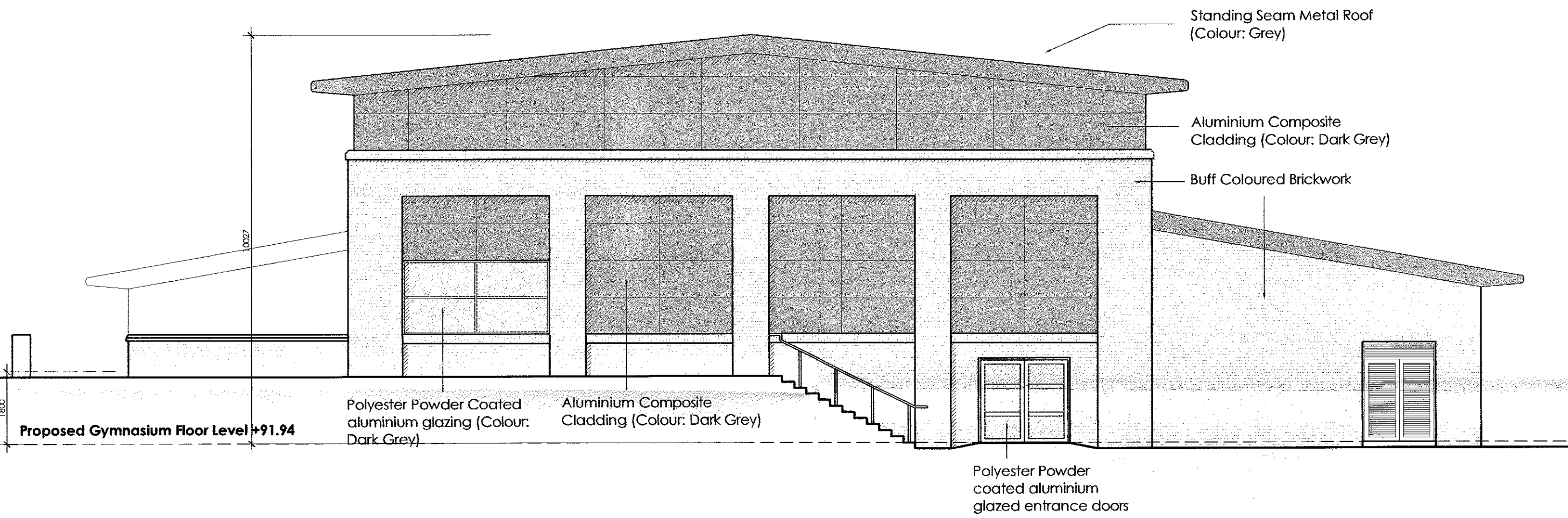
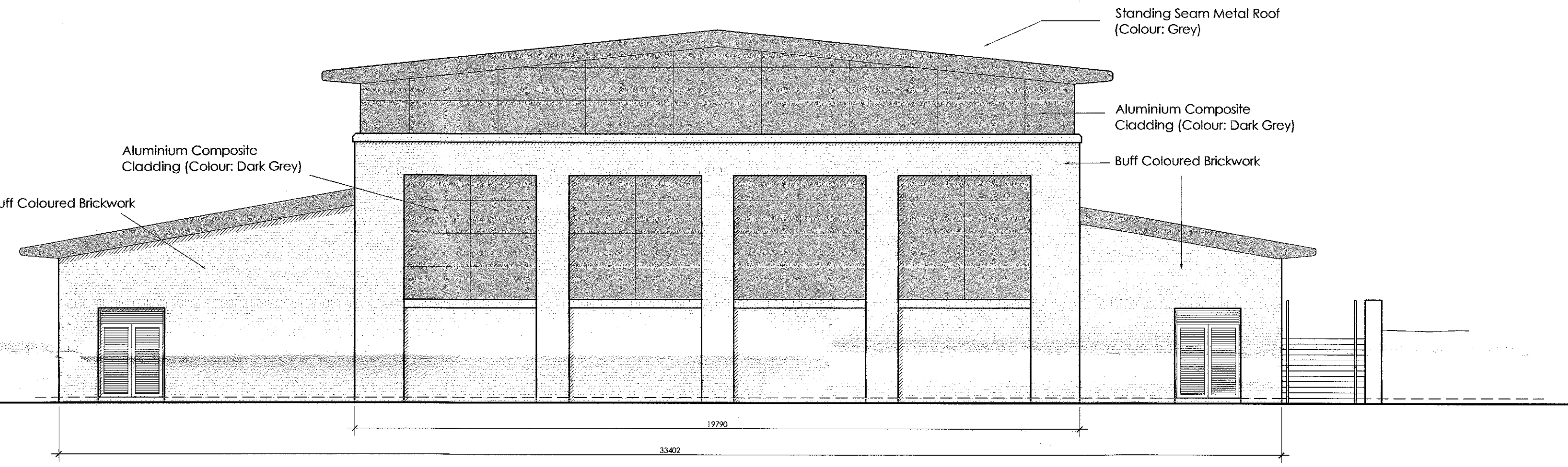


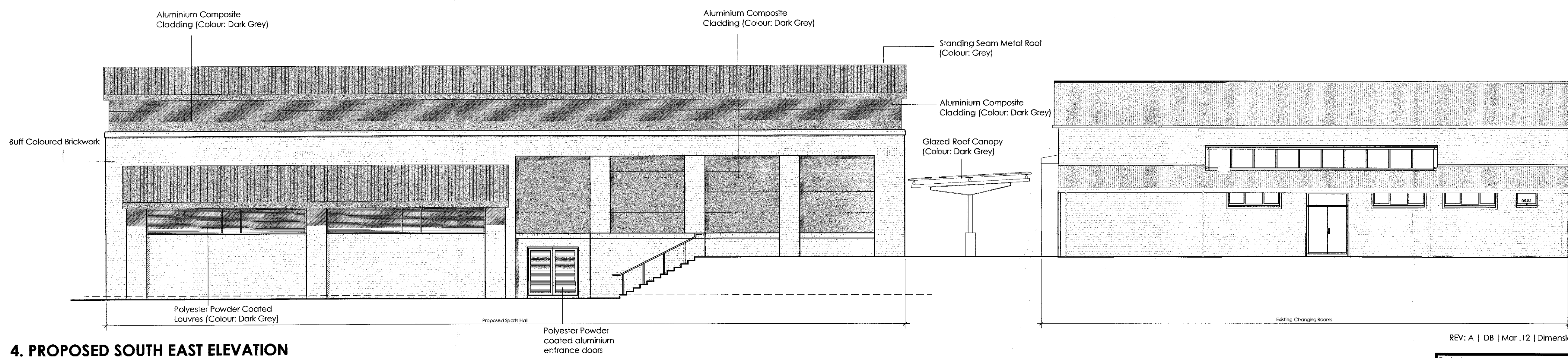
1. PROPOSED NORTH WEST ELEVATION



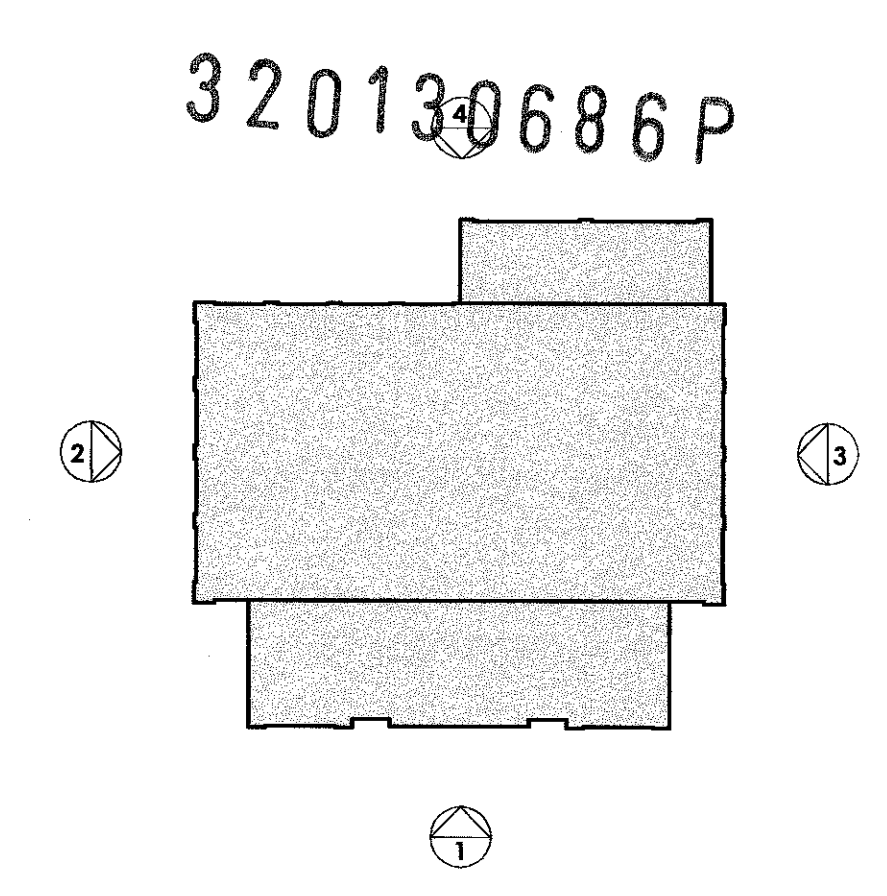
2. PROPOSED NORTH EAST ELEVATION



3. PROPOSED SOUTH WEST ELEVATION



4. PROPOSED SOUTH EAST ELEVATION



REV: A | DB | Mar .12 | Dimensions updated

Project Clitheroe Royal Grammar School		Client School Governors	
Dwg Title PROPOSED ELEVATIONS	Drawn DB	Dwg No. 7999	Rev. A
	Date Mar 12	Scale@A1 1:100	Checked by
1. This drawing is subject to copyright and is not to be reproduced in part or whole without approval. 2. Do not scale this drawing - Check all dimensions on site.			
CASSIDY + ASHTON Architects Building Surveyors Planners Designers www.cassidyashton.co.uk		PRESTON BURY WIDNES CHESTER T 01772 258 356 0161 762 5800 0151 423 6974 01244 353 953 F 01772 825 000 0161 762 5801 0151 423 8915 01244 409 211	

