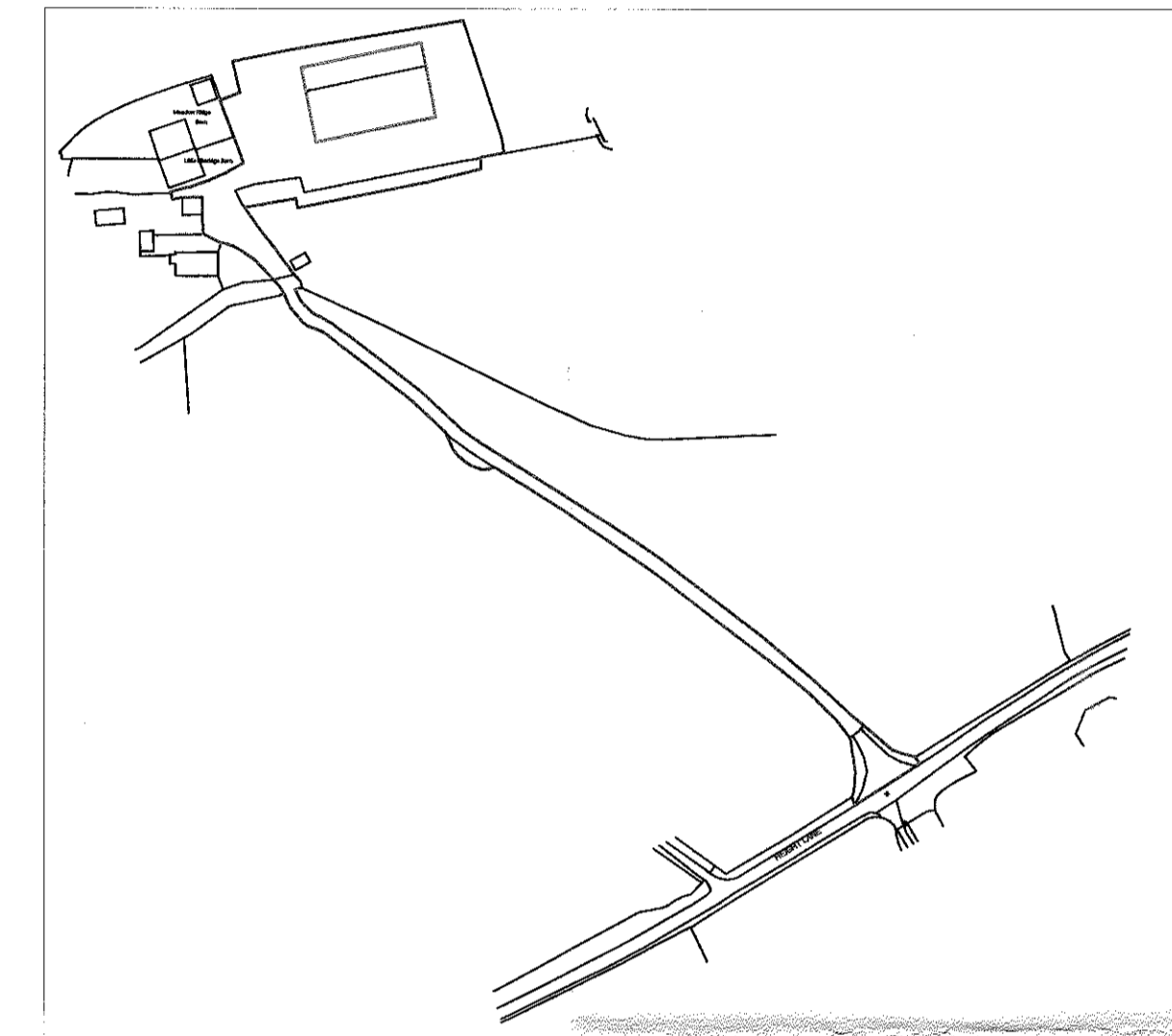


SITE PLAN

Scale = 1:500



LOCATION PLAN

Scale = 1:2500

rec'd  
10/11/15

**Tree Planting Schedule**

**Trees:**

Native specimen trees 3m standards, staked and planted in the planting compost. (8-10cm) 4.5m + spacing.

Trees May comprise of the following

- Betula pendula (birch)
- Prunus avium (cherry)
- Quercus robur (Oak)
- Sorbus aucuparia (Rowan)

**Hedging:**

45 - 90cm transplants at 45cm centre in a double staggered row - Lancashire Hedge Row, ( 50% - Hawthorne, 40% - Blackthorne, 5% - Hazel, 5% - Holly.)

Feathered whips or larger should be staked and protected against vermin where necessary. Once planted, maintained in a weed free condition. Use of bark chip on a mulch and periodic weed treatment recommended. Best results achieved when planted during planting season, November to March for all bare root stock. Watering may be required during dry spells in the summer months.

320150818P

<b>J.HADFIELD. ENGINEERING,SURVEYING.</b>			
Springs House, Chipping, Lancashire. PR3 2GQ. Tel 07740 929096.			
Unit D, Clockmill, Duns, Berwickshire. TD11 3QH Tel 07740 929096.			
Clients Details. <b>METCALF AGRICULTURAL ENGINEER'S</b>			
Project Details. <b>SITE &amp; LOCATION PLANS LEAN-TO STORAGE EXTENSION</b>			
Project Address. <b>LITTLE ELMRIDGE HIGHT LANE CHIPPING PR3 2NU</b>			
Project Number, 379/202	Date, SEPT/15	Scale, 1:100	By, JH
DO NOT SCALE THIS DRAWING. CHECK ALL DIMENSIONS ON SITE			
<small>THIS DRAWING IS PROTECTED BY COPYRIGHT. IT MAY NOT BE REPRODUCED OR ANY PART OF IT USED FOR ANY PURPOSE, WITHOUT EXPRESS WRITTEN PERMISSION FROM J.HADFIELD, ENGINEERING/SURVEYING.</small>			