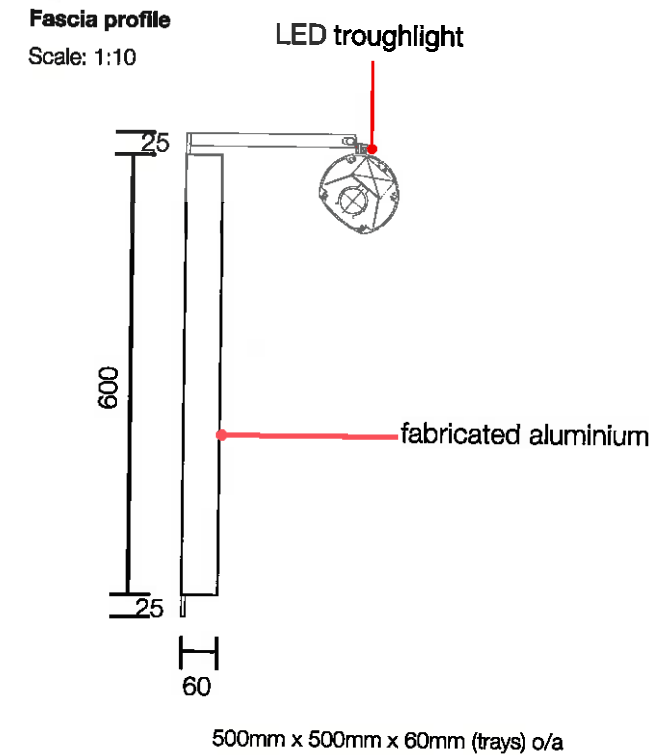
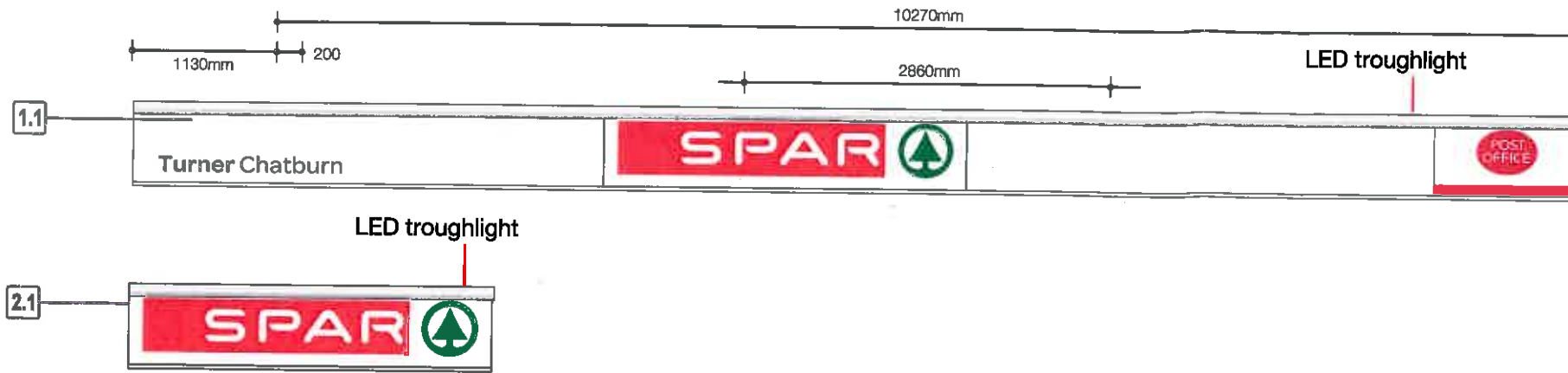


Site address: CURRENTLY A LONDIS STORE  
BRIDGE RD. CHATBURN. BB74AW.

Please confirm that all of the details on the artwork proof are correct prior to approval. Any verbal alterations made must be confirmed in writing. We can't accept any responsibility once these proofs have been approved by email, and production started.

Any obstructions to the installation of all signage, must be relocated by other contractors prior to our arrival on site. A suitable external fused electrical supply must be provided to the proposed logo area prior to the installation of signage.



non illuminated (unless stated otherwise)

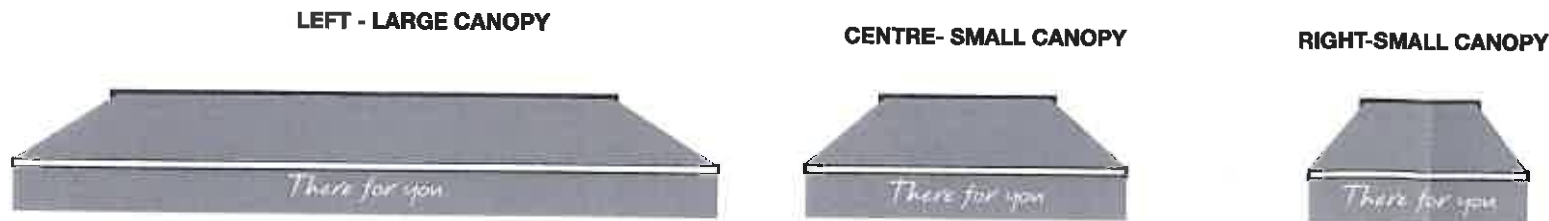
**1.1 Front Elevation**  
Scale: 1:50

**POST OFFICE Sign Sizes.** 1130mm x 650mm x 60mm (returns) o/a  
**Sign description.** 2.5mm thick fabricated aluminium powder coated Ral 9003. (including 25mm up & down stand fixings) vinyl applied to face  
**SPAR Sign Sizes.** 10270mm x 650mm x 60mm (returns) o/a  
**Sign description.** 2.5mm thick fabricated aluminium powder coated Ral 9003. ( including 25mm up & down stand fixings)  
 Logo: 2860mm x 650mm. vinyl applied to face  
**Illumination method.** illumination via LED troughlight (white RAL 9003)  
**Fixing method/background.** New timber subframe on building to bring out to a level. Dibond underdrawing (white) cut on site to suit)  
**Planning notes.**  
 Height above ground level to the underside of the sign approx 3.15m on left hand side and approx 4.0m on right hand side (sloping pavement).  
 Height of SPAR lettering = 258mm  
 Height of 'FIR TREE' logo = 430mm  
 11400mm Troughlight illumination via LED's. (approx 300 cnd/sq m).

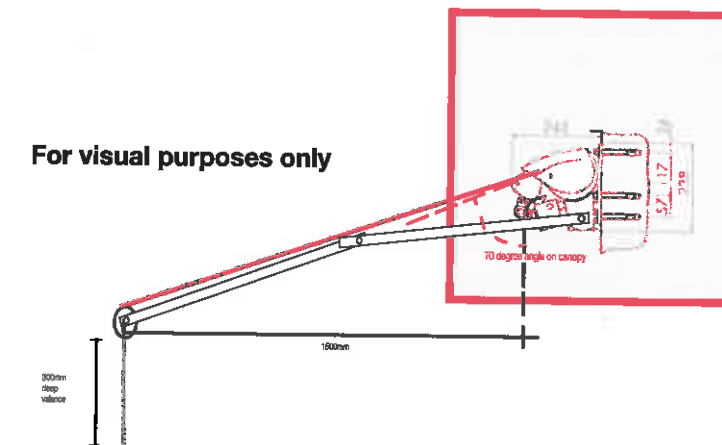
**2.1 Left Elevation**  
Scale: 1:50

**Sign Sizes.** 2860mm x 650mm x 60mm (returns) o/a  
**Sign description.** 2.5mm thick fabricated aluminium powder coated Ral 9003. ( including 25mm up & down stand fixings)  
 Logo: 2860mm x 650mm. vinyl applied to face  
**Illumination method.** illumination via LED troughlight (white RAL 9003)  
**Fixing method/background.** a level. Dibond underdrawing (white) cut on site to suit)  
**Planning notes.**  
 Height above ground level to the underside of the sign approx 3.15m  
 Height of SPAR lettering = 258mm  
 Height of 'FIR TREE' logo = 430mm

**3.1 Front Elevation - ONLY IF NEW CANOPIES ARE REQUIRED**  
Scale: NOT TO SCALE



**Canopy Sizes.** LEFT: 4800mm (length) x 238mm (height) x 1500mm (projection) Valance = 300mm deep  
 CENTRE: 2190mm (length) x 238mm (height) x 1500mm (projection) Valance = 300mm deep  
 RIGHT: 1500mm (length) x 238mm (height) x 1500mm (projection) Valance = 300mm deep  
**Sign description.** Fabricated extrusion (white) Green fabric canopy (closest match to Ral 7037 or 7042)  
**Fixing method/background.** FIXED THROUGH EXISTING STONEMWORK



File No. 2564

Drawn By. SJB  
Date Drawn. 30.11/2015

Colours matches to.

3M 2330-46 Ral 3020  
 3M 2330-76 Ral 6029  
 3M stock vinyl Ral 9003

3M Full colour print  
 3M stock vinyl Ral 7037 or 7042

All designs and specifications are copyright of Signage Systems Ltd.  
 Reproduction of these images in whole or in part without the written consent of Signage Systems Ltd is strictly prohibited.  
 Breach of this copy right may result in legal action being taken.

T. 0161 796 1742  
 E. studio@signage-systems.co.uk  
 www.signage-systems.co.uk



320151021P