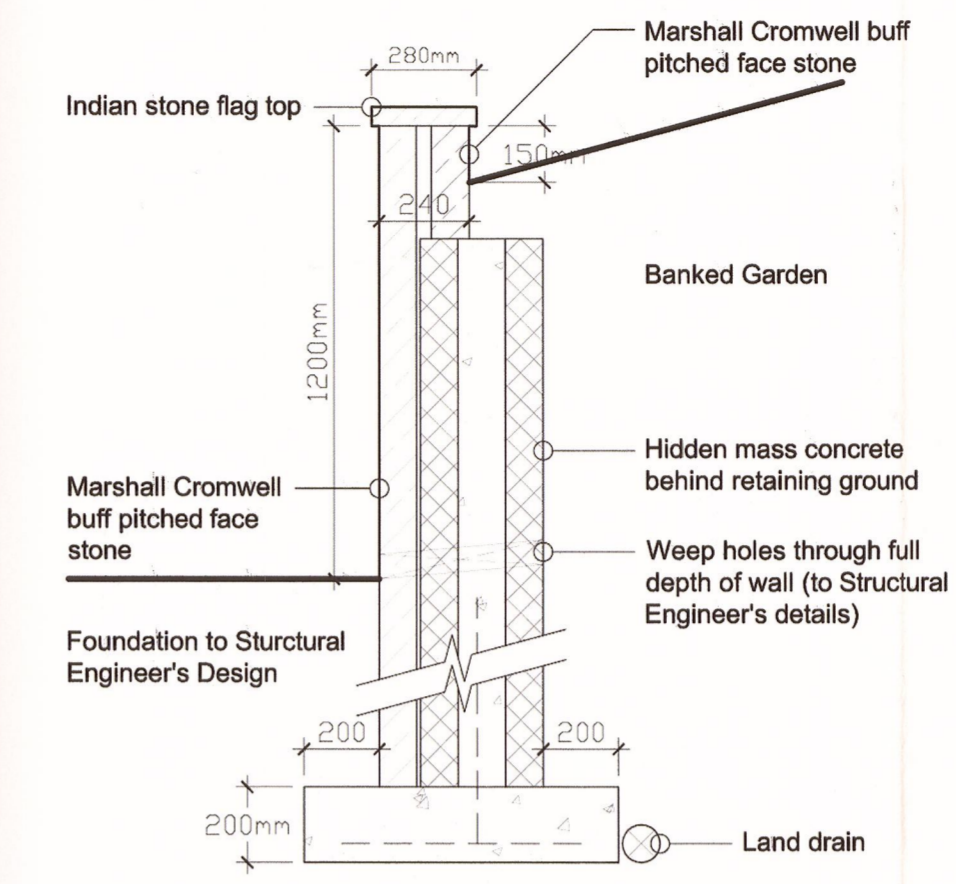


This drawing is to be read in conjunction with all relevant Architect, consultants' and specialist drawings and specifications. The Architect is to be notified of any discrepancies before proceeding. Do not scale from this drawing. All dimensions and levels are to be checked on site. This drawing is subject to copyright. All work carried out before Planning and Building Permission has been granted is at the contractor's risk.

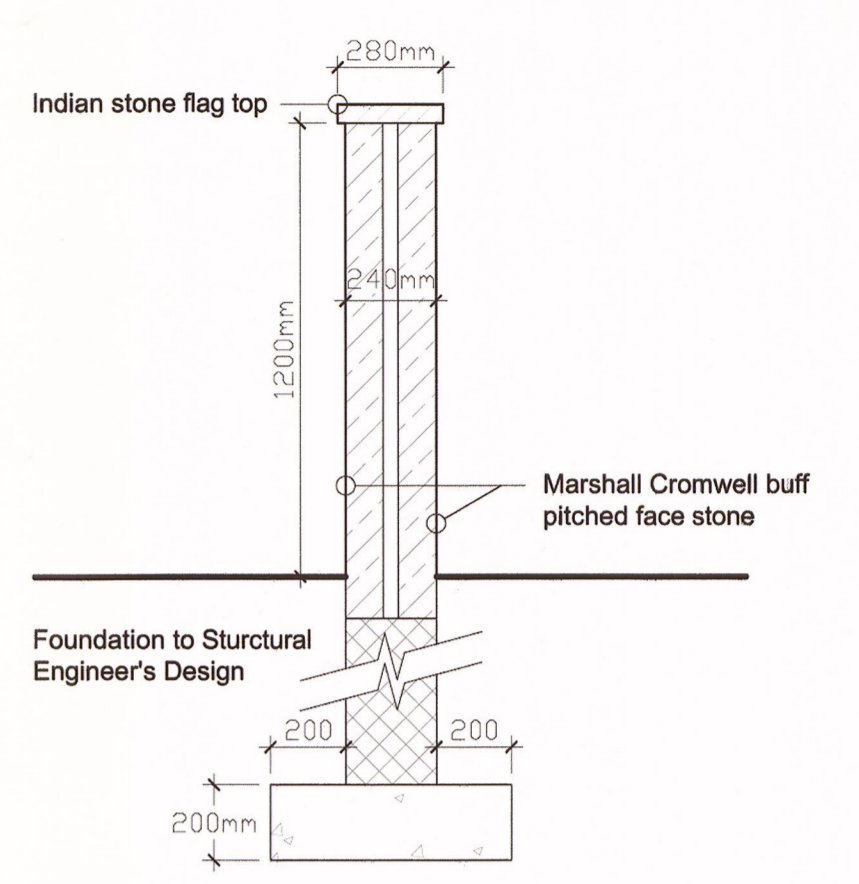


Note: Final surface water connection to be agreed

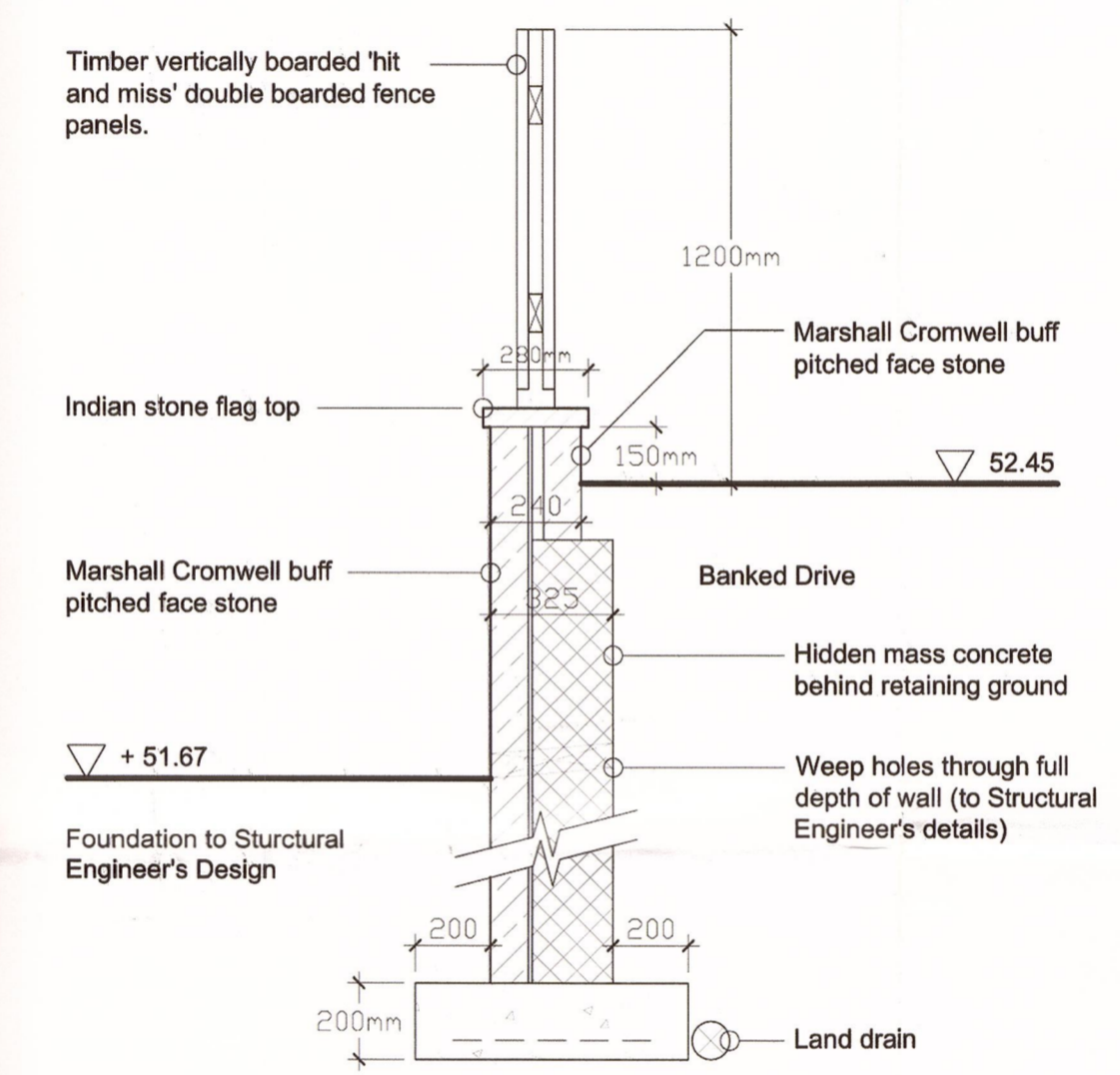
Proposed Site Plan  
1:100 Scale



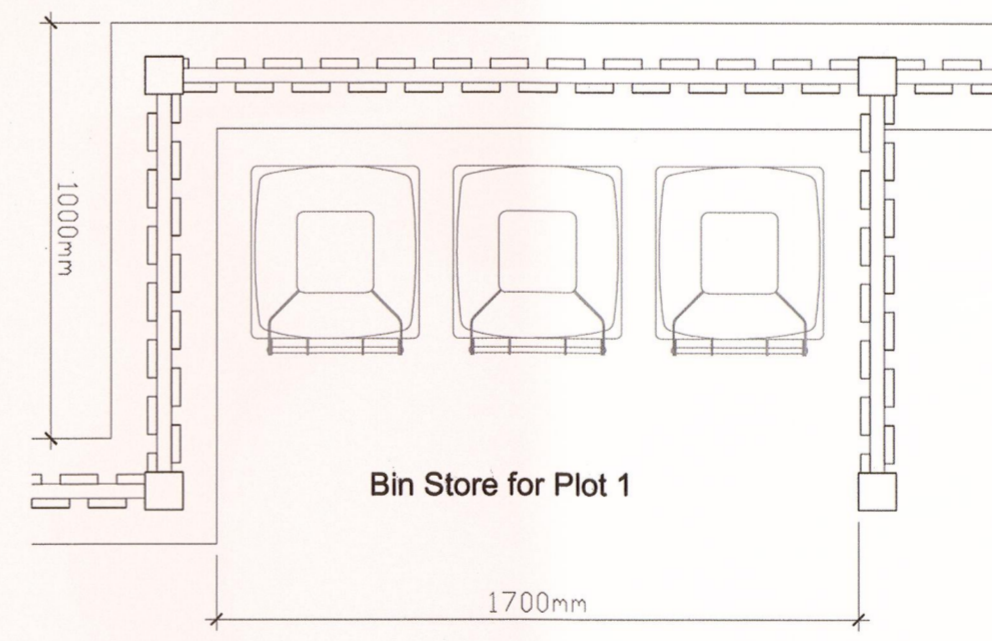
Retaining Wall Section (Detail 01)  
1:20 Scale



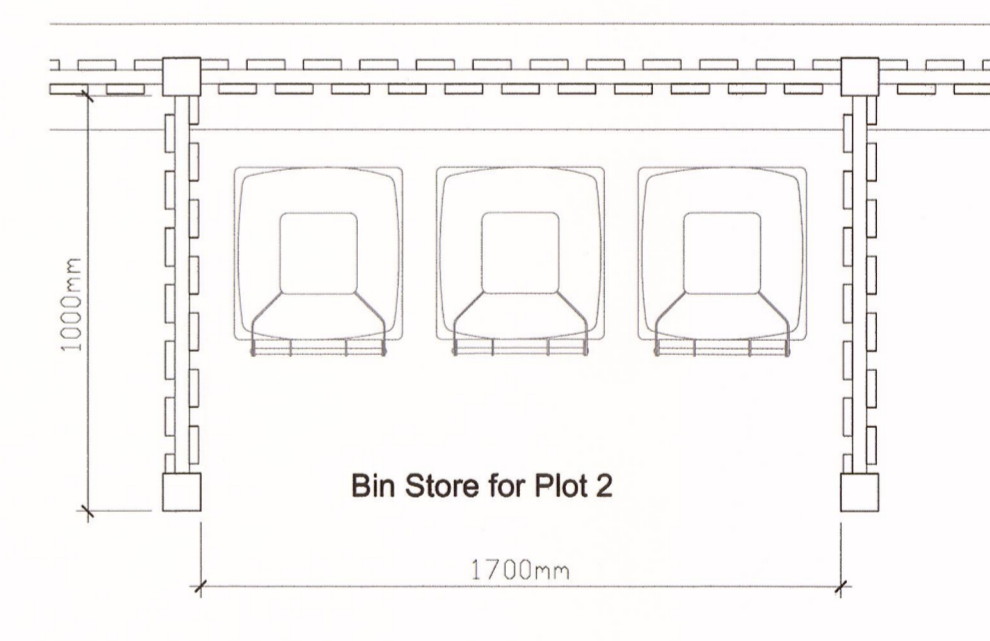
Boundary Wall Section (Detail 02)  
1:20 Scale



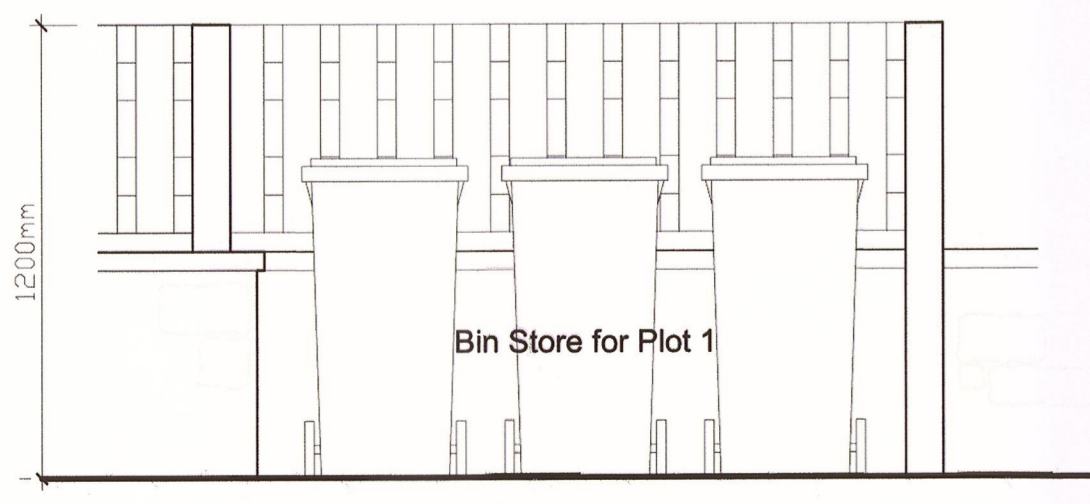
Typical Boundary Wall/Fence Section (Detail 03)  
1:20 Scale



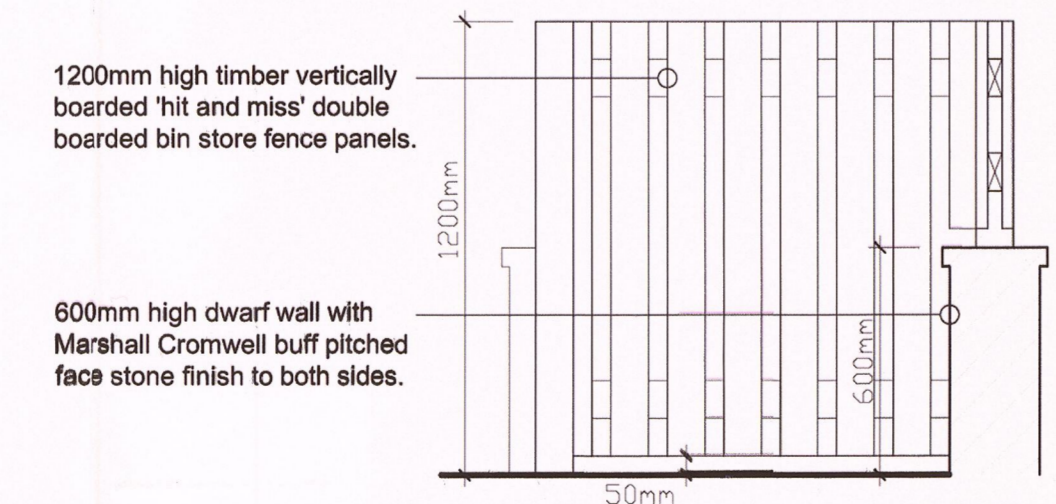
Bin Store for Plot 1  
1:20 Scale



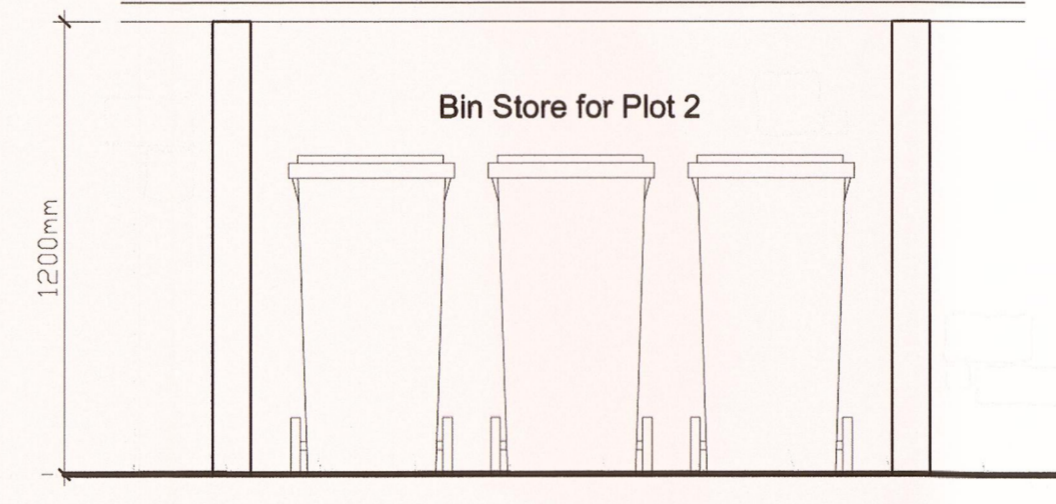
Bin Store for Plot 2  
1:20 Scale



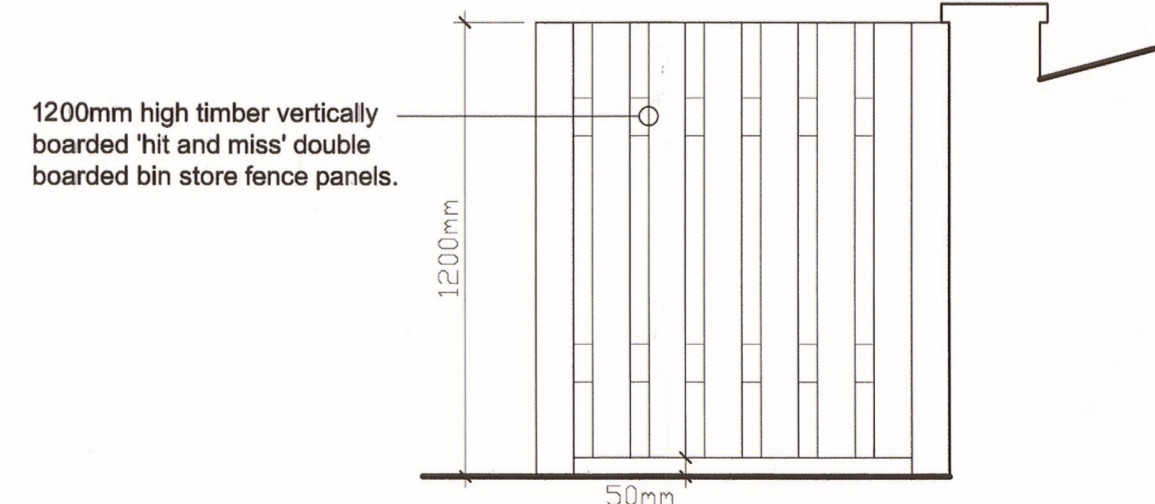
Bin Store for Plot 1 Elevation (View 01)  
1:20 Scale



Bin Store for Plot 1 Elevation (View 02)  
1:20 Scale



Bin Store for Plot 2 Elevation (View 03)  
1:20 Scale



Bin Store for Plot 2 Elevation (View 04)  
1:20 Scale

3201603421

Revisions  
Rev A - Boundary treatments and bin stores amended. 07.04.16. NE  
Rev B - Various amendments in line with client comments. 07.04.16. NE

Client  
Robert Little Associates Ltd.  
Job Title  
Proposed Erection of Two Dwellings at 78 Riverside Low Moor Clitheroe

Drawing Title  
Proposed Site Plan and Boundary Treatments and Finishes

Scale  
Various @ A1  
Date  
March 2016  
Drawn  
NE

spa ARCHITECTS  
SUNDERLAND PEACOCK & ASSOCIATES LTD.  
HAZELMERE, PRALICO ROAD, CLITHEROE  
LANCASHIRE, BB7 2AQ  
T 01200 423178 F 01200 427328  
www.sunderlandpeacock.com

5092 - 02 Rev B