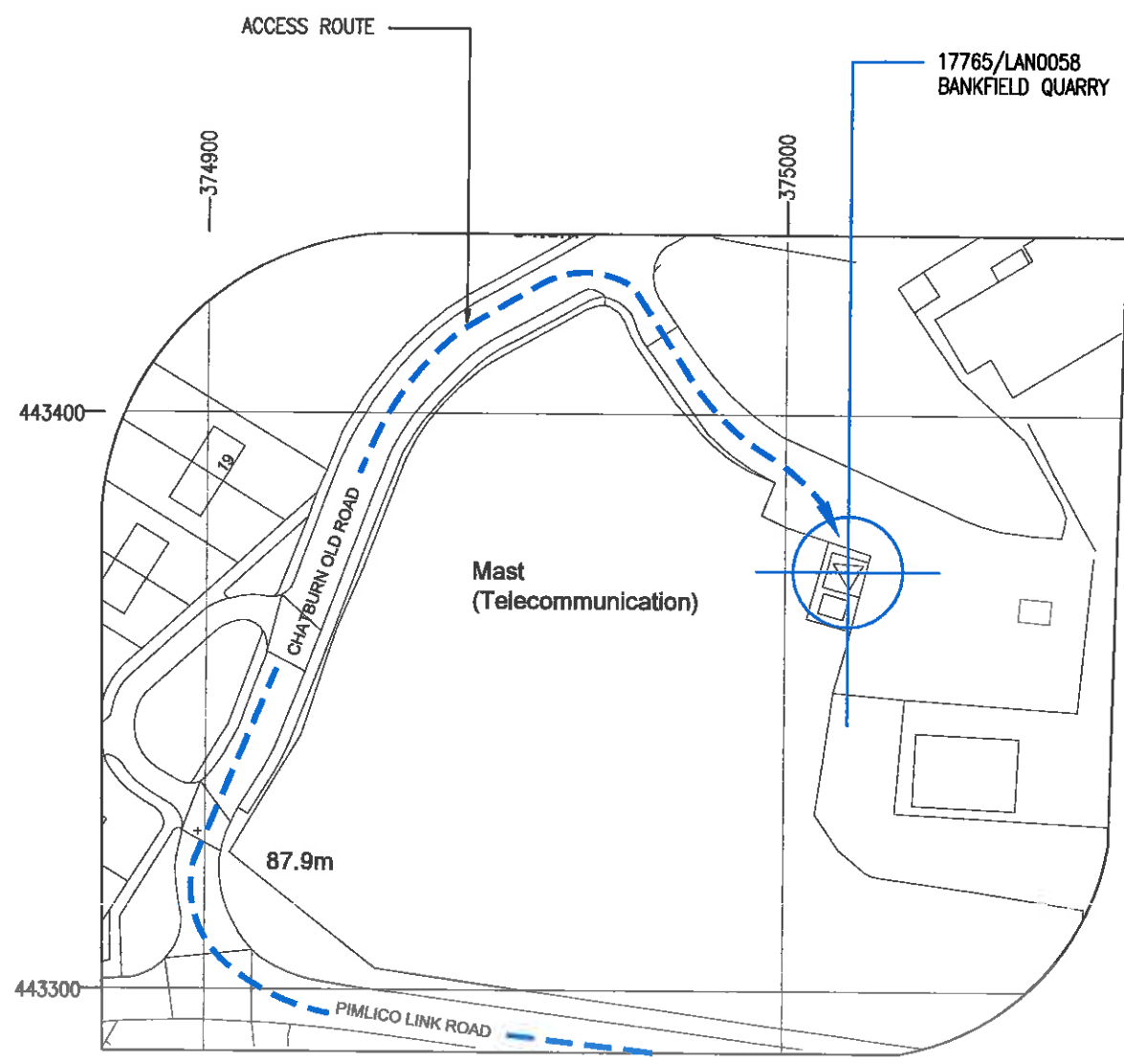


320160598P



SITE PLAN
 Ordnance Survey map extract
 O.S. co-ordinates E375011,N443372
 Based upon Ordnance Survey at 1:2500
 with the permission of the Controller of
 Her Majesty's Stationery Office.
 Crown copyright.
 Licence No. 100022432

- GENERAL NOTES:**
1. DRAWING TO BE READ IN CONJUNCTION WITH ALL RELEVANT DRAWINGS AND SPECIFICATIONS. SEE DOCUMENT TRANSMITTAL FOR COMPLETE LIST OF DRAWINGS
 2. ALL DIMENSIONS ARE IN MILLIMETRES UNLESS OTHERWISE STATED.
 3. DO NOT SCALE DRAWINGS.
 4. DUCT ROUTES ARE SHOWN INDICATIVELY, ACTUAL ROUTES TO BE DETERMINED ON SITE.
 5. THE CONTRACTOR SHALL BE RESPONSIBLE FOR THE DIMENSIONAL ACCURACY, THE CORRECT SETTING OUT OF ALL WORK ON SITE, AND CHECKING ALL SITE DIMENSIONS PRIOR TO THE COMMENCEMENT OF WORK.
 6. EXCLUSION ZONES CONFORM TO THE ICNIRP REFERENCE LEVEL FOR LIMITED RF EXPOSURE TO MEMBERS OF THE GENERAL PUBLIC
 7. BOXED TEXT INDICATES PROPOSED WORKS

A	Date 13.06.16	GENERAL ARRANGEMENT ISSUE
Drawn by FLCS	Approved DJ	



Site name & Address:
 BANKFIELD QUARRY, CLITH
 CLITHEROE QUARRY, CLITHEROE
 LANCASHIRE
 BB7 4QG

Title:
 SITE LOCATION

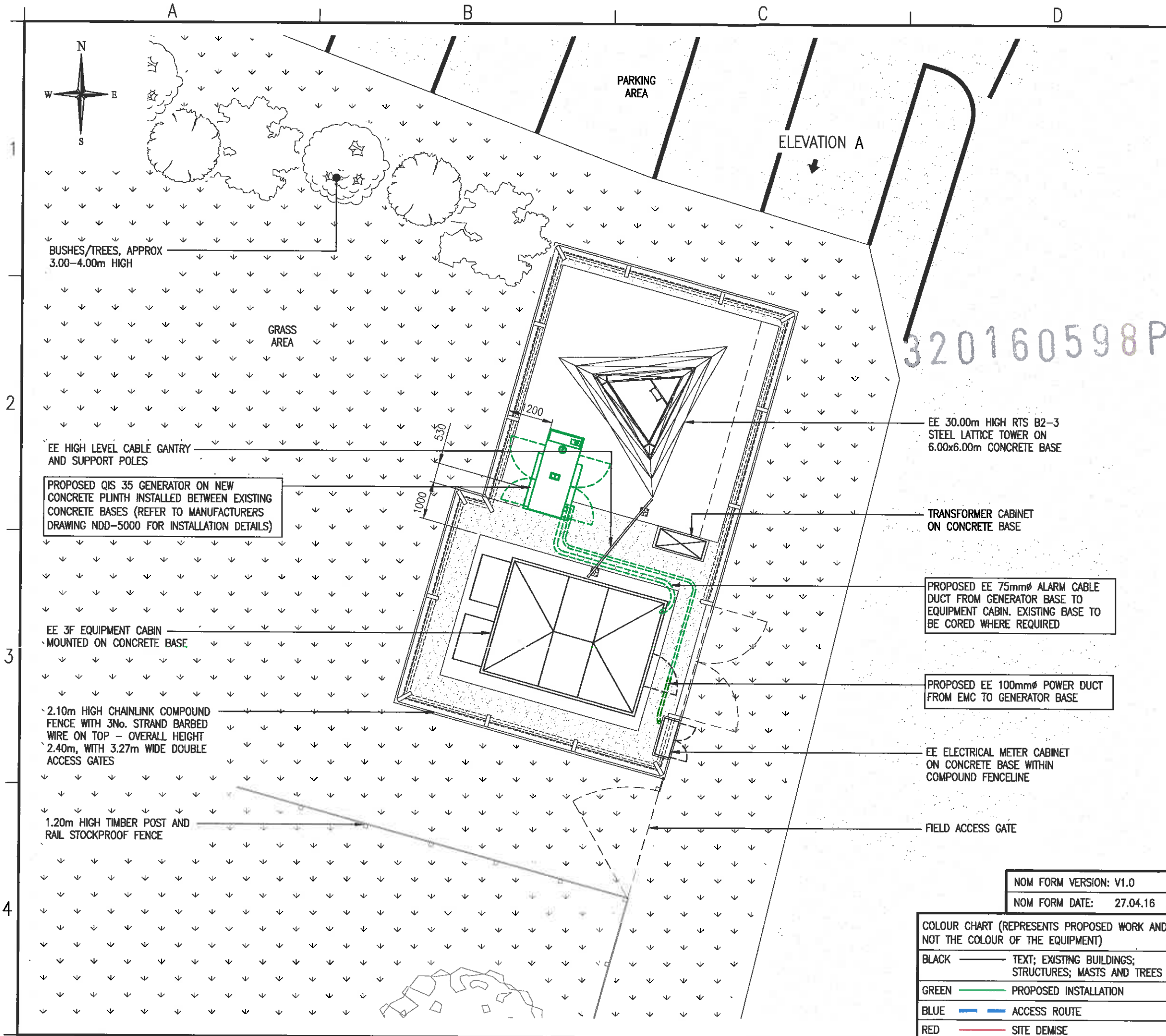
Purpose of issue:
 GENERAL ARRANGEMENT

Drawing no:
 001

Cell no: 17765	Host Cell no: LAN0058
-------------------	--------------------------

A	Issue:	Scale: 1:2500	Ch'd: DM	Date: 13.06.16
	Drn: FLCS	Date: 13.06.16	Apprv: DJ	Date: 13.06.16

NOM FORM VERSION: V1.0	
NOM FORM DATE: 27.04.16	
COLOUR CHART (REPRESENTS PROPOSED WORK AND NOT THE COLOUR OF THE EQUIPMENT)	
BLACK	TEXT; EXISTING BUILDINGS; STRUCTURES; MASTS AND TREES
GREEN	PROPOSED INSTALLATION
BLUE	ACCESS ROUTE
RED	SITE DEMISE



- GENERAL NOTES:**
1. DRAWINGS TO BE READ IN CONJUNCTION WITH ALL RELEVANT DRAWINGS AND SPECIFICATIONS. SEE DOCUMENT TRANSMITTAL FOR COMPLETE LIST OF DRAWINGS
 2. ALL DIMENSIONS ARE IN MILLIMETRES UNLESS OTHERWISE STATED.
 3. DO NOT SCALE DRAWINGS.
 4. DUCT ROUTES ARE SHOWN INDICATIVELY, ACTUAL ROUTES TO BE DETERMINED ON SITE.
 5. THE CONTRACTOR SHALL BE RESPONSIBLE FOR THE DIMENSIONAL ACCURACY, THE CORRECT SETTING OUT OF ALL WORK ON SITE, AND CHECKING ALL SITE DIMENSIONS PRIOR TO THE COMMENCEMENT OF WORK.
 6. EXCLUSION ZONES CONFORM TO THE ICNIRP REFERENCE LEVEL FOR LIMITED RF EXPOSURE TO MEMBERS OF THE GENERAL PUBLIC
 7. **BOXED TEXT INDICATES PROPOSED WORKS**

PROPOSED UPGRADE WORKS TO TAKE PLACE INSIDE CABIN REFER TO DARWIN DRAWINGS FOR DETAILS

A	Date 13.06.16	GENERAL ARRANGEMENT ISSUE
Drawn by FLCS	Approved DJ	



Site name & Address:
BANKFIELD QUARRY, CLITH
CLITHEROE QUARRY, CLITHEROE
LANCASHIRE
BB7 4QG

Title:
PROPOSED SITE PLAN

Purpose of issue:
GENERAL ARRANGEMENT

Drawing no:
002

Cell no: **17765** Host Cell no: **LAN0058**

NOM FORM VERSION: V1.0
NOM FORM DATE: 27.04.16

COLOUR CHART (REPRESENTS PROPOSED WORK AND NOT THE COLOUR OF THE EQUIPMENT)

BLACK	TEXT; EXISTING BUILDINGS; STRUCTURES; MASTS AND TREES
GREEN	PROPOSED INSTALLATION
BLUE	ACCESS ROUTE
RED	SITE DEMISE

Issue: A	Scale: 1:100	Ch'd: DM	Date: 13.06.16
Drn: FLCS	Date: 13.06.16	Approv: DJ	Date: 13.06.16

EE TOWER HEIGHT
30.00m AGL

EE ANTENNA C/L HEIGHT
29.00m AGL

EE DISH C/L HEIGHT
20.00m AGL

EE 30.00m HIGH RTS B2-3
STEEL LATTICE TOWER ON
6.00x6.00m CONCRETE BASE

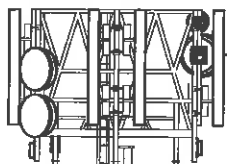
TREE HEIGHTS APPROX
8.00m AGL

EE 3F EQUIPMENT CABIN
MOUNTED ON CONCRETE BASE

EE HIGH LEVEL CABLE GANTRY
AND SUPPORT POLES

2.10m HIGH CHAINLINK COMPOUND
FENCE WITH 3No. STRAND BARBED
WIRE ON TOP - OVERALL HEIGHT
2.40m, WITH 3.27m WIDE DOUBLE
ACCESS GATES

GROUND LEVEL
0.00m AGL

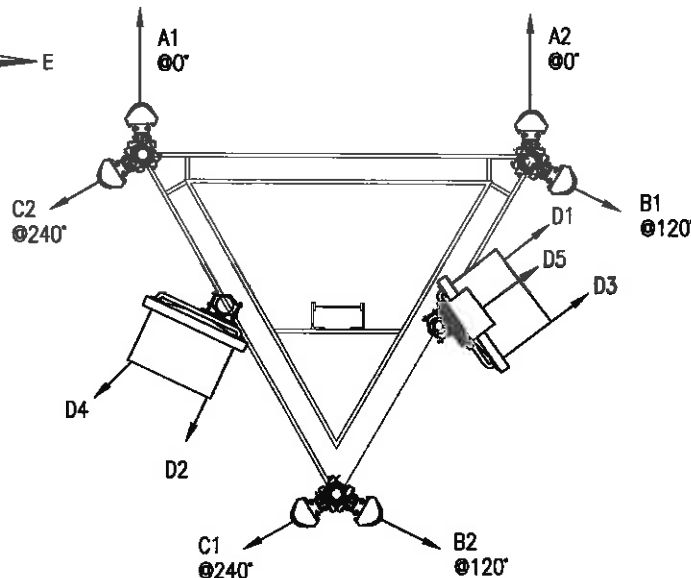


EE 6No. ANTENNAS, 3No.
600ø AND 1No. 300ø
TRANSMISSION DISHES,
MOUNTED ON TOWER
HEADFRAME

EE 1No. 600ø TRANSMISSION
DISH FIXED TO TOWER
LEG

PROPOSED QIS 35 GENERATOR ON
NEW CONCRETE PLINTH INSTALLED
BETWEEN EXISTING CONCRETE BASES
(REFER TO MANUFACTURERS DRAWING
NDD-5000 FOR INSTALLATION DETAILS)

BUSHES/TREES, APPROX
3.00-4.00m HIGH



PLAN ON HEADFRAME
@ 30.00m AGL
SCALE 1:50

320160598P.

GENERAL NOTES:

- DRAWING TO BE READ IN CONJUNCTION WITH ALL RELEVANT DRAWINGS AND SPECIFICATIONS. SEE DOCUMENT TRANSMITTAL FOR COMPLETE LIST OF DRAWINGS
- ALL DIMENSIONS ARE IN MILLIMETRES UNLESS OTHERWISE STATED.
- DO NOT SCALE DRAWINGS.
- DUCT ROUTES ARE SHOWN INDICATIVELY, ACTUAL ROUTES TO BE DETERMINED ON SITE.
- THE CONTRACTOR SHALL BE RESPONSIBLE FOR THE DIMENSIONAL ACCURACY, THE CORRECT SETTING OUT OF ALL WORK ON SITE, AND CHECKING ALL SITE DIMENSIONS PRIOR TO THE COMMENCEMENT OF WORK.
- EXCLUSION ZONES CONFORM TO THE ICNIRP REFERENCE LEVEL FOR LIMITED RF EXPOSURE TO MEMBERS OF THE GENERAL PUBLIC
- BOXED TEXT INDICATES PROPOSED WORKS

A	Date 13.06.16	GENERAL ARRANGEMENT ISSUE
Drawn by FLCS	Approved DJ	



Site name & Address:

BANKFIELD QUARRY, CLITH
CLITHEROE QUARRY, CLITHEROE
LANCASHIRE
BB7 4QG

Title:

PROPOSED ELEVATION A

Purpose of issue:

GENERAL ARRANGEMENT

Drawing no:

003

Cell no:

17765

Host Cell no:

LAN0058

Issue:

A

Scale: 1:125 (UNO)

Drm:
FLCS

Ch'd:

DM

Date:
13.06.16

Approv:

DJ

Date:
13.06.16

NOM FORM VERSION: V1.0

NOM FORM DATE: 27.04.16

COLOUR CHART (REPRESENTS PROPOSED WORK AND NOT THE COLOUR OF THE EQUIPMENT)

BLACK ——— TEXT; EXISTING BUILDINGS;
STRUCTURES; MASTS AND TREES

GREEN ——— PROPOSED INSTALLATION

BLUE ——— ACCESS ROUTE

RED ——— SITE DEMISE