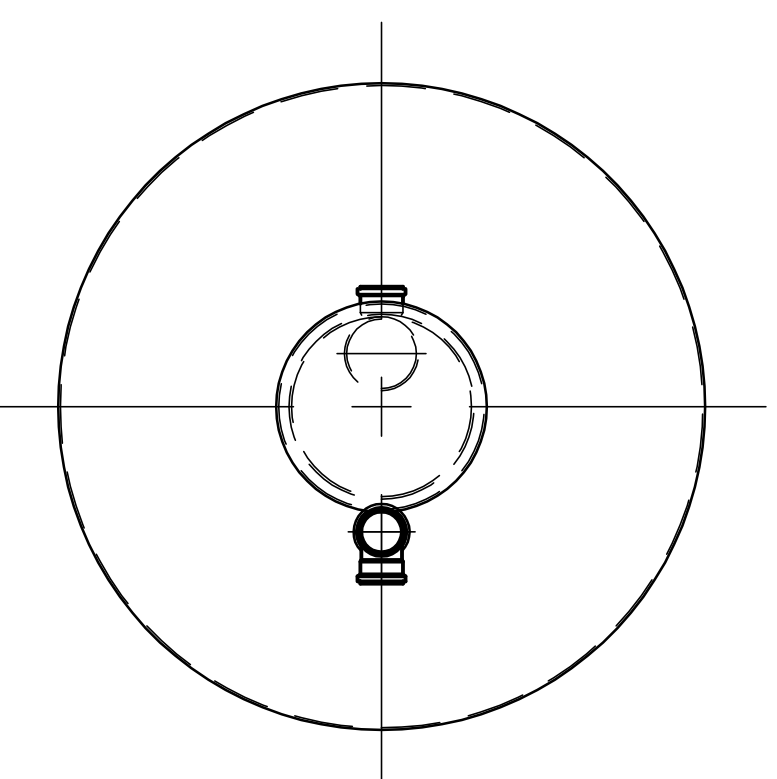


ELEVATION



PLAN

REV	DESCRIPTION	DATE	SIG	REV	DESCRIPTION	DATE	SIG	REV	DESCRIPTION	DATE	SIG
				A	For Approval	12.06.15					

THIS DRAWING IS THE PROPERTY OF MARSH POLYLOK LTD. AND MUST NOT BE REPRODUCED OR TRANSMITTED IN ANY FORM OR BY ANY MEANS WITHOUT THE WRITTEN CONSENT FROM THE MARSH POLYLOK LTD.				ORG: MUMBO CHNG: SCALE: 1:10 APPD: DATE: 12.06.15			
CLIENT: MARSH SEPTIC TANKS 2800 LITRE CAPACITY				TITLE: MARSH INDUSTRIES Ltd.			