

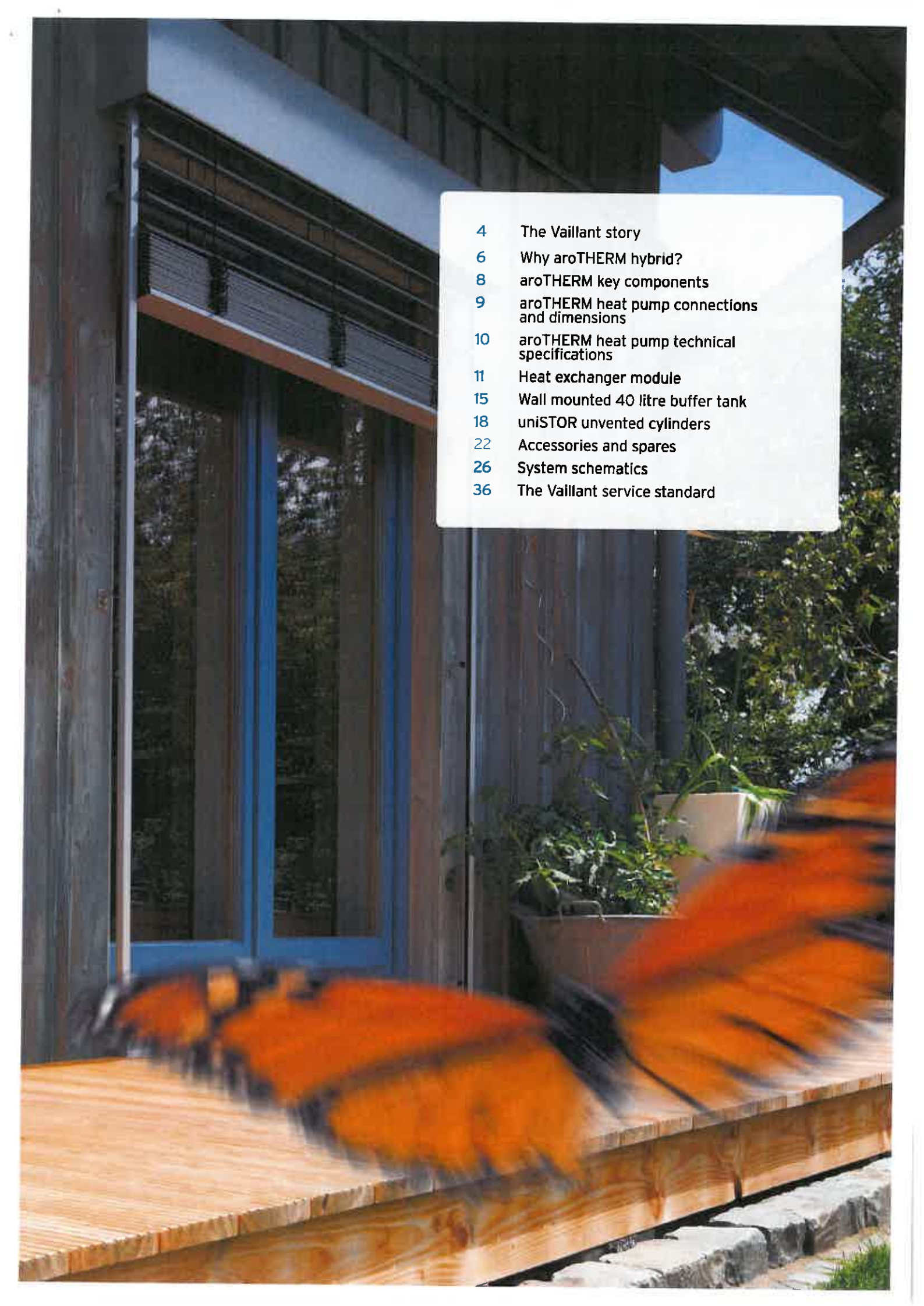
A photograph of a Vaillant aroTHERM hybrid air to water heat pump. The unit is white with a large, dark-colored louvered grille on the front. To the left of the main unit, a smaller, cylindrical white component is mounted on the wall. The background is a plain, light blue wall.

The benefit of sustainable heat solutions.  
There's definitely something in the air.

**aroTHERM hybrid** air to water heat pump  
The **TECHNICAL** Brochure

# Contents





4	The Vaillant story
6	Why aroTHERM hybrid?
8	aroTHERM key components
9	aroTHERM heat pump connections and dimensions
10	aroTHERM heat pump technical specifications
11	Heat exchanger module
15	Wall mounted 40 litre buffer tank
18	uniSTOR unvented cylinders
22	Accessories and spares
26	System schematics
36	The Vaillant service standard



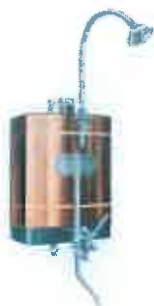
## Ahead of our time since 1874.

Here at Vaillant we're immensely proud of our extensive product range and system accessories. We believe that there is no other manufacturer that can match our offering of flexible system solutions.

### Yesterday

Vaillant was born in 1874 when Johann Vaillant founded his workshop in Remscheid, Germany. 20 years later, the world's first ever gas-fired water heater with domestic hot water changed the way we heat our homes forever.

In 1930, the first Vaillant gas-fired water heater came to life, and so began a continual process of innovation and design evolution that has led to the extensive range of products we offer today.



### Today

Over the last 140 years, we have revolutionised the industry. Safeguarding the planet for future generations, we've created products that can help reduce carbon emissions, and the cost of providing heat and water for your home.

Along with our highly accredited, super-efficient air to water heat pumps, we have a fully comprehensive range of renewable technologies. From total solar systems and ground source heat pumps, to hot water cylinders with a full range of controls, we can help to ensure your system is maximised to its full potential.



Still at the forefront of innovative heating and hot water technology.



#### The future

Behind every Vaillant product is the quality and efficiency of pioneering German engineering. We never stop pushing the limits of what can be achieved, creating revolutionary new products that help to reduce our impact on the planet.

We use only the best materials and workmanship, continually raising our game to maintain our enviable reputation. Today, Vaillant systems already meet the demands and standards of tomorrow.



Why aroTHERM hybrid?



As energy bills continue to increase year on year, the only sure way to keep costs down is to use less energy. Alternative heating and hot water systems, particularly innovative new renewable technologies, can help to maintain the levels of heating you're used to without the rising costs.

A hybrid system is an excellent way to introduce renewable heating into your home. When you install an aroTHERM air to water heat pump, it becomes your primary heat source, with your existing boiler acting as a back-up. Allowing you to enter your actual energy prices, the intelligent control will select the most cost-effective heat source for your needs.

This means that once you have set the temperature on the room control, the system will always select the cheapest running heat source. Not only giving you lower heating bills for the heating levels you require, it can also help to reduce your carbon footprint.

The more of your heating load that the renewable system can take away from your boiler, the lower the running costs will be. The table below is a guide as to which aroTHERM hybrid system you may require. Your installer will be able to advise on the right heating solution for your property and needs.

Heating requirement
8kW peak heating load and below = aroTHERM 5kW hybrid
10-11kW peak heating load = aroTHERM 8kW hybrid
11-14kW peak heating load = aroTHERM 11kW hybrid
14kW + peak heating load = aroTHERM 15kW hybrid

### How does a heat pump system work?

1. The aroTHERM air to water heat pump works by converting energy stored in the air into heat and hot water for your home. The heat taken from the air is then transferred to a refrigerant liquid, which absorbs the heat and converts into a gas.
2. The gas refrigerant is then passed through a compressor. As the gaseous refrigerant is compressed, its temperature increases further.
3. The heat from the refrigerant is now directly transferred to the heating circuit. The refrigerant is cooled down and returns to a liquid form.
4. In the expansion valve, the refrigerant is then decompressed and cools down further so that it will be able to re-absorb heat from either the air or the ground.

### How does Vaillant triVAI® hybrid management system work?

The system calculates the flow temperature required based on the heat curve, outdoor temperature and the room set temperature. It then decides which is the most efficient generator, based on the individual's energy tariffs for gas/oil/LPG and electricity.

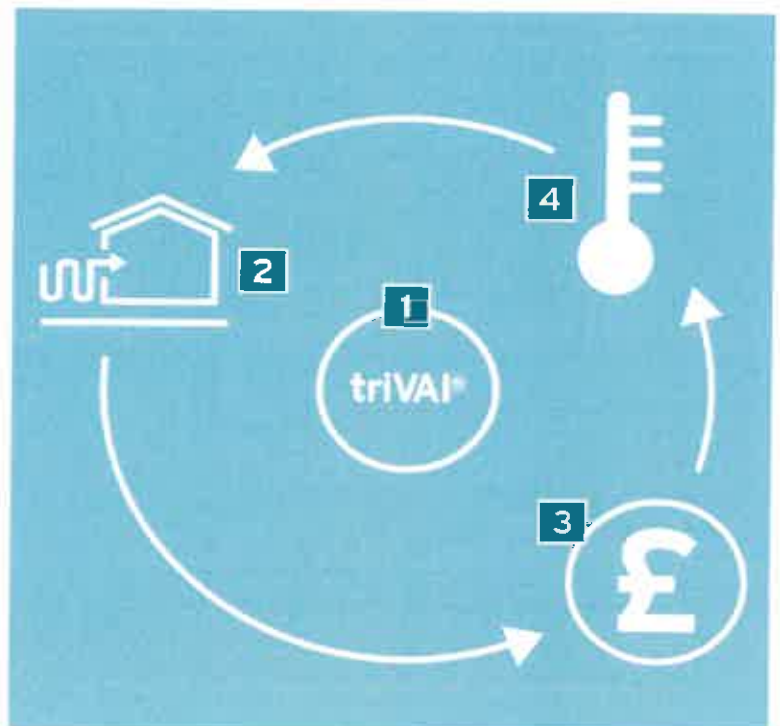
## The Vaillant triVAI® hybrid management system

### Highest efficiency at lowest costs

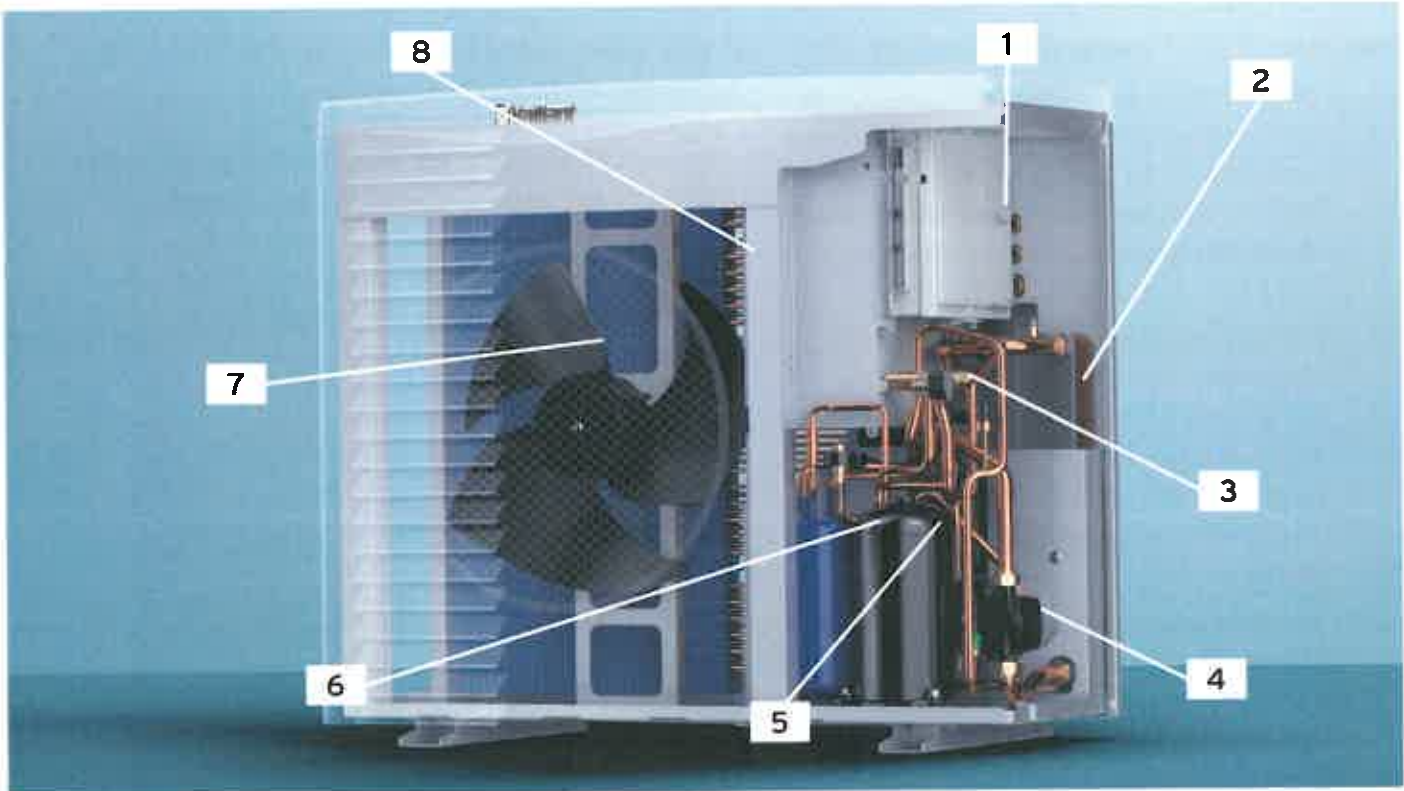
1. One-off setting of triVAI® parameters (electricity = gas prices and day/night tariffs) in VRC 470
2. Maximum use of renewable energies, in this case air
3. Automatic selection of the best price available
4. Automatic selection of the best energy mix, taking of the current temperature



**Always the most efficient energy source**  
**Always the lowest price available**



aroTHERM key components



The aroTHERM hybrid system, comprising an air to water heat pump, a heat exchanger module, 40 litre wall hung buffer tank and weather compensating controls, acts as a 'bolt on' to supplement your existing heating system.

The aroTHERM is Vaillant's second generation air to water heat pump. It has been developed in line with the exacting standards and precision engineering you would expect from Vaillant. What's more, with a Quiet Mark award, you can rest assured that the aroTHERM air to water heat pump is one of the most understated miracles of engineering we've ever produced.

**Key features and benefits:**

- **Four models**  
aroTHERM 5kW, 8kW, 11kW and 15kW
- **Compact size for easy siting**  
Possible to fit under a standard window
- **Unique triVAI® intelligent control system**  
Three possible energy tariffs can be entered - gives maximum cost savings (For further information on the Vaillant triVAI® managements system see page 7)
- **Total system solution**  
Available in an easy to order pack
- **Excellent green credentials**  
Provides significant carbon and energy bill savings

**Key:**

1. Electronic box
2. Condenser
3. Four way valve
4. CH pump
5. Compressor
6. Gas buffer (refrigerant heat exchanger)
7. Fan
8. Evaporator

- **Compatible with all boiler systems**  
Gas, oil and LPG
- **Reduced maintenance costs**  
Glycol only needed in the outdoor circuit to the heat pump
- **Easy to install and commission**  
Uses the Vaillant setup wizard
- **Hybrid system kit components**
  - VWZ MWT 150
  - heat exchanger module
  - aroTHERM 40 litres buffer de-coupler module
  - VR32 - controls address board for use with Vaillant boilers



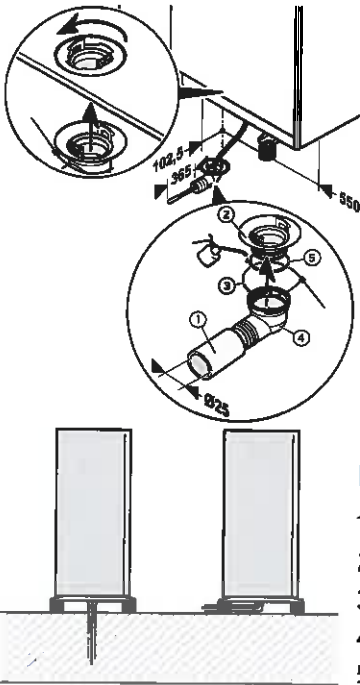
NQA HP0009/01-04



When installed by a Partner Installer



**Connections:**

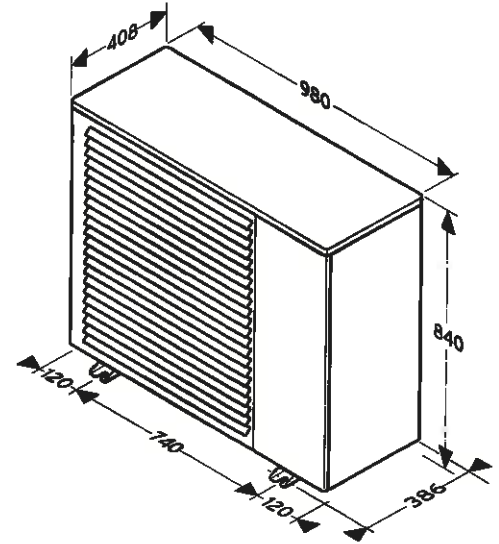


**Key:**

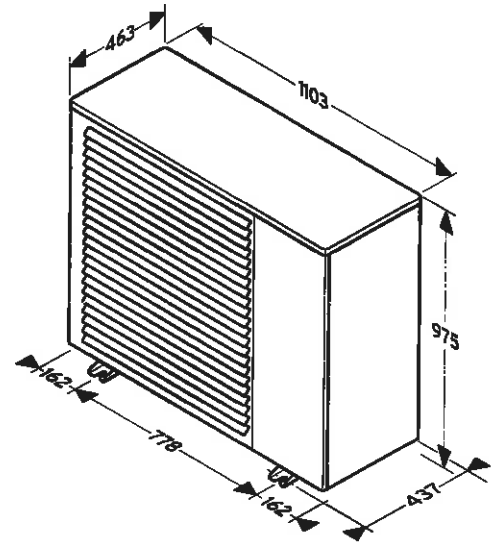
- 1. Condensate drain pipe
- 2. Adaptor
- 3. Cable tie
- 4. Elbow
- 5. Seal

**Dimensions:**

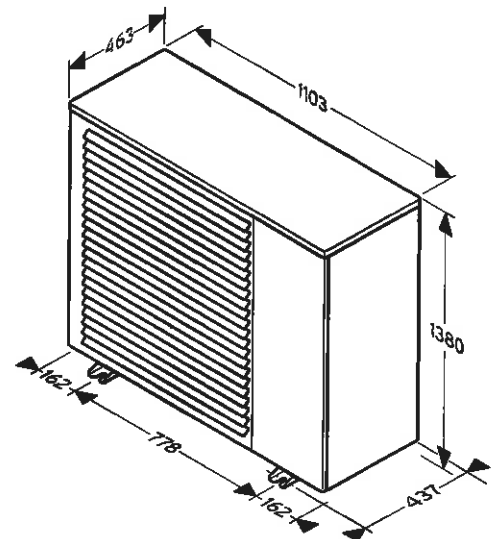
**5kW**



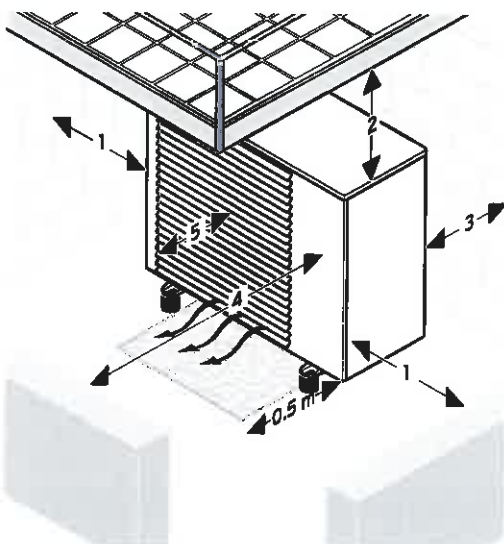
**8kW, 11kW**



**15kW**



**Clearances:**



Clearance	For heating mode
1	> 250mm
2	> 1000mm
3	> 120mm
4	> 600mm
5	> 300mm

aroTHERM heat pump technical specifications

aroTHERM		5kW	8kW	11kW	15kW
Article number		0020196231	0020175478	0020175479	0020196232
Heat pump type		Monoblock air/ water heat pump	Monoblock air/ water heat pump	Monoblock air/ water heat pump	Monoblock air/ water heat pump
Flow/return heating connections, boiler side		1 1/4"	1 1/4"	1 1/4"	1 1/4"
Product dimensions, width	mm	970	1,103	1,103	1,103
Product dimensions, height	mm	834	975	975	1,375
Product dimensions, depth	mm	408	463	463	463
Net weight	kg	90	106	126	165
Hydraulic lines material		Copper	Copper	Copper	Copper
Hydraulic connections material		Brass	Brass	Brass	Brass
Hydraulic seals material		EPDM	EPDM	EPDM	EPDM
Plate heat exchanger material		AISI 304 stainless steel	AISI 304 stainless steel	AISI 304 stainless steel	AISI 304 stainless steel
Pump casing material		Painted cast iron	Painted cast iron	Painted cast iron	Painted cast iron
Pollution rating		2	2	2	2
Electric connection	V/Hz	230/50	230/50	230/50	230/50
Fuse type		T4A	T4A	T4A	T4A
Inverter controller fuse	A/V	HRC 20/550	HRC 20/550	HRC 32/550	HRC 32/550
Level of protection		IP 25	IP 25	IP 25	IP 25
Maximum start-up current	A	16	16	20	25
Maximum current consumption	A	16	16	20	25
Pump power consumption	W	15 ... 70	15 ... 70	15 ... 70	6 ... 87
Fan power consumption	W	15 ... 42	15 ... 42	15 ... 76	15 ... 76 <b>Note 2 x</b>
Electrical classification		I	I	I	I
Overvoltage category		II	II	II	II
Fan rotational speed	rpm	550	550	700	600
Sound power level for A7W35 according to EN 12102 and EN ISO 9614-1	dB(A)	58	60	65	65
Sound power level for A7W45 according to EN 12102 and EN ISO 9614-1	dB(A)	59	60	65	65
Sound power level for A7W55 according to EN 12102 and EN ISO 9614-1	dB(A)	61	61	66	66
Maximum DHW flow temperature	°C	60	63	63	63
Minimum air temperature (heating and cylinder charging)	°C	-15	-20	-20	-20
Maximum air temperature (heating)	°C	28	28	28	28
Maximum air temperature (cylinder charging)	°C	46	46	46	46
Max. air flow	m³/h	2,000	2,700	3,400	5,500

Heating circuit					
Minimum operating pressure	MPa (bar)	0.1 (1.0)	0.1 (1.0)	0.1 (1.0)	0.1 (1.0)
Maximum operating pressure	MPa (bar)	0.3 (3.0)	0.3 (3.0)	0.3 (3.0)	0.3 (3.0)
Heating circuit water contents in the heat pump	l	1.1	1.6	2.1	2.7
Minimum heating circuit water contents	l	17	21	35	60
Min. volume flow rate	l/h	380	380	540	1,200
Nominal volume flow rate, max. volume flow rate	l	860	1,400	1,900	2,590
Hydraulic pressure difference	mbar	640	450	300	370



The wall-mounted heat exchanger module separates the heat pump circuit from the heating system circuit. As the heat pump is fitted outside the property, it is subjected to changing weather conditions and as such, requires the fluid flowing through the heat pump to have frost protection to ensure that it does not freeze and damage the heat pump.

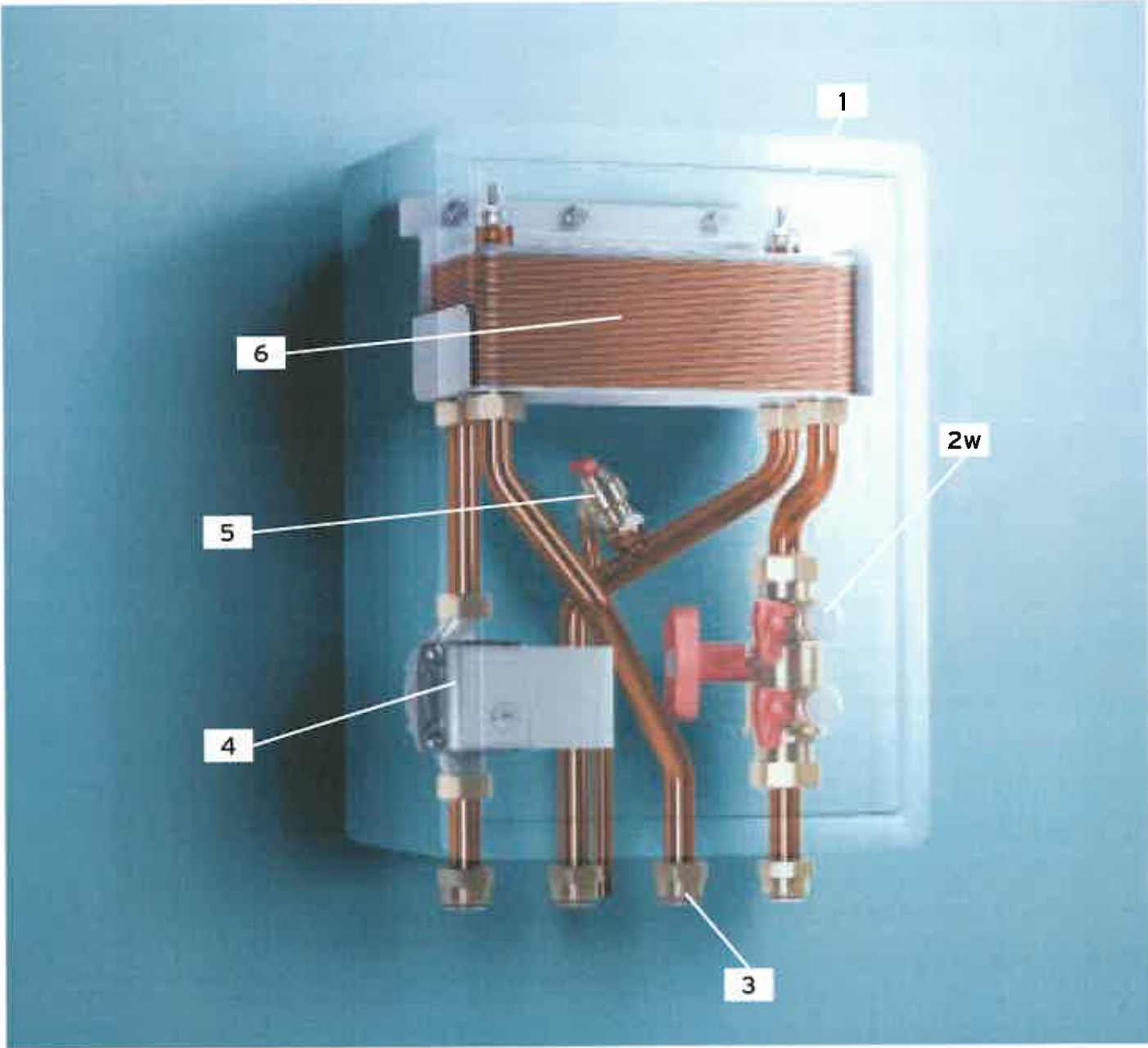
Filling the entire system with heat pump glycol is expensive and, if a radiator circuit is being used, there is a risk of compromising the entire system if a radiator is removed or drained and refilled with water. The heat exchanger module removes the need to fill the entire heating circuit with glycol; it also removes the need to buy fill and flush points for the heat pump circuit, as these are included.

The 40 plates within the module ensure that the energy is transferred from the heat pump circuit to the heating circuit as efficiently as possible. Air bleed vents/valves within the module also help prevent air getting trapped within the system.

### Key features and benefits:

- **Designed to separate the heat pump glycol circuit from the heating circuit**  
Only a small proportion of the system is required to be filled with glycol
- **Wall-mounted, compact and lightweight**  
H500mm x D250mm x W360mm; for easy and flexible siting
- **ErP A-rated modulating circulation pump**  
35% more energy efficient than a standard pump, making the heating circuit ready to comply with future legislation
- **Fill and flush points for the heat pump glycol circuit**  
Quick and easy to install with no extra cost

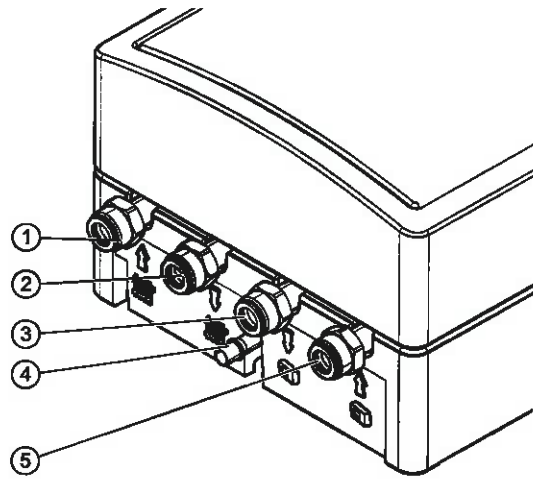
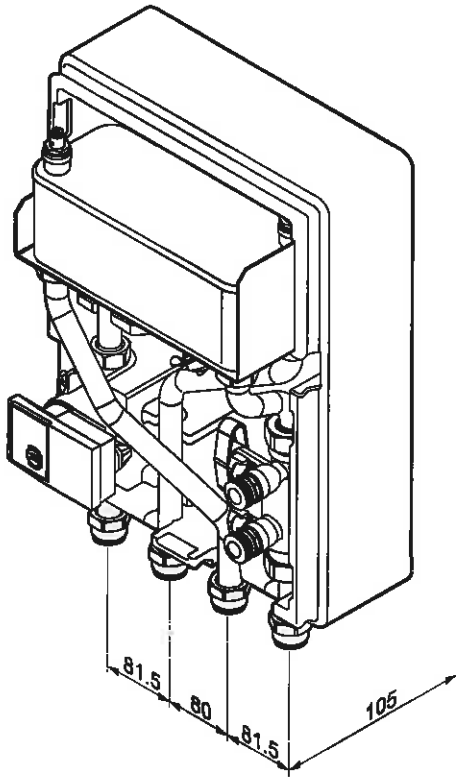
Heat exchanger module key components



**Key:**

- 1. Air bleed vent
- 2. Fill and flush points
- 3. 1" connections
- 4. HE CH pump
- 5. PRV central heating side
- 6. 40 plate-to-plate heat exchanger

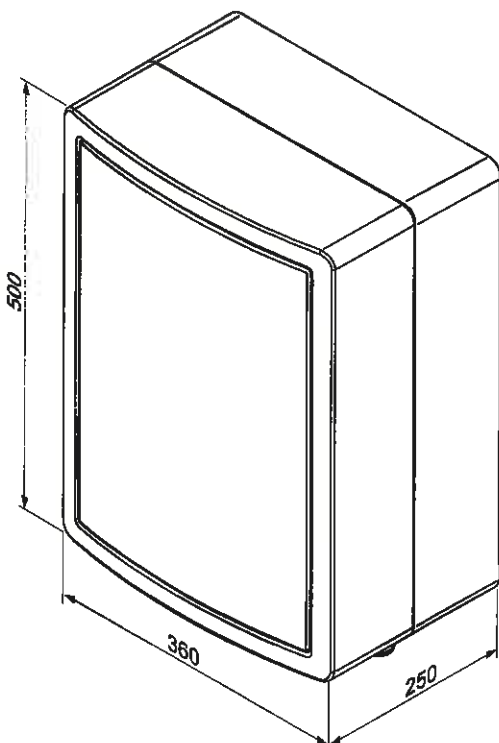
**Connections:**



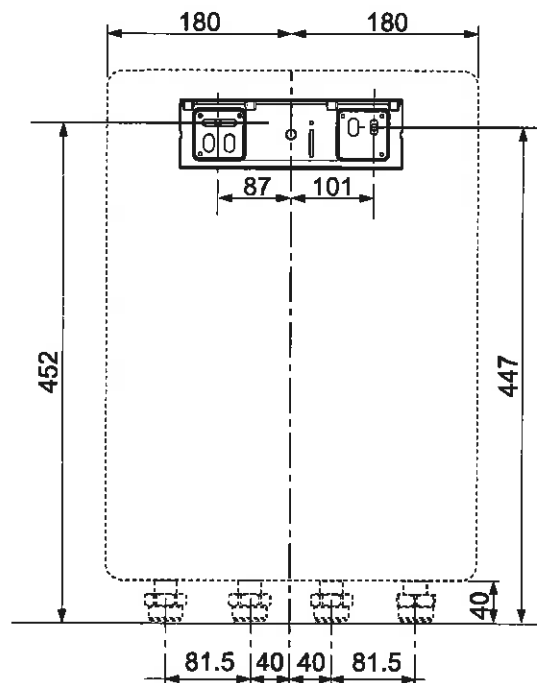
**Key:**

1. Installation heating circuit inlet 1"
2. Installation heating circuit outlet 1"
3. Glycol water circuit outlet to heat pump 1"
4. Safety valve drain
5. Glycol water circuit inlet from heat pump 1"

**Dimensions:**



**Clearances:**



Heat exchanger technical specifications

<b>Heat exchanger</b>		<b>VWZ MWT 150</b>
<b>Article number</b>		<b>0020143800</b>
<b>Net weight</b>	kg	12
<b>Maximum admissible water pressure</b>	bar	3.0
	Mpa	0.3
<b>Minimum admissible water pressure</b>	bar	0.5
	Mpa	0.05
<b>Electrical</b>		
<b>Voltage/frequency</b>	V/Hz	230/50
<b>Maximum electrical consumption (pump)</b>	W	45
<b>Index of electrical protection</b>		IP X4



The wall-mounted 40 litre buffer tank module gives added system flexibility to the aroTHERM range as it can act as both a hydraulic nil point in the system and a low loss header, ensuring system flow through the heat pump and the system.

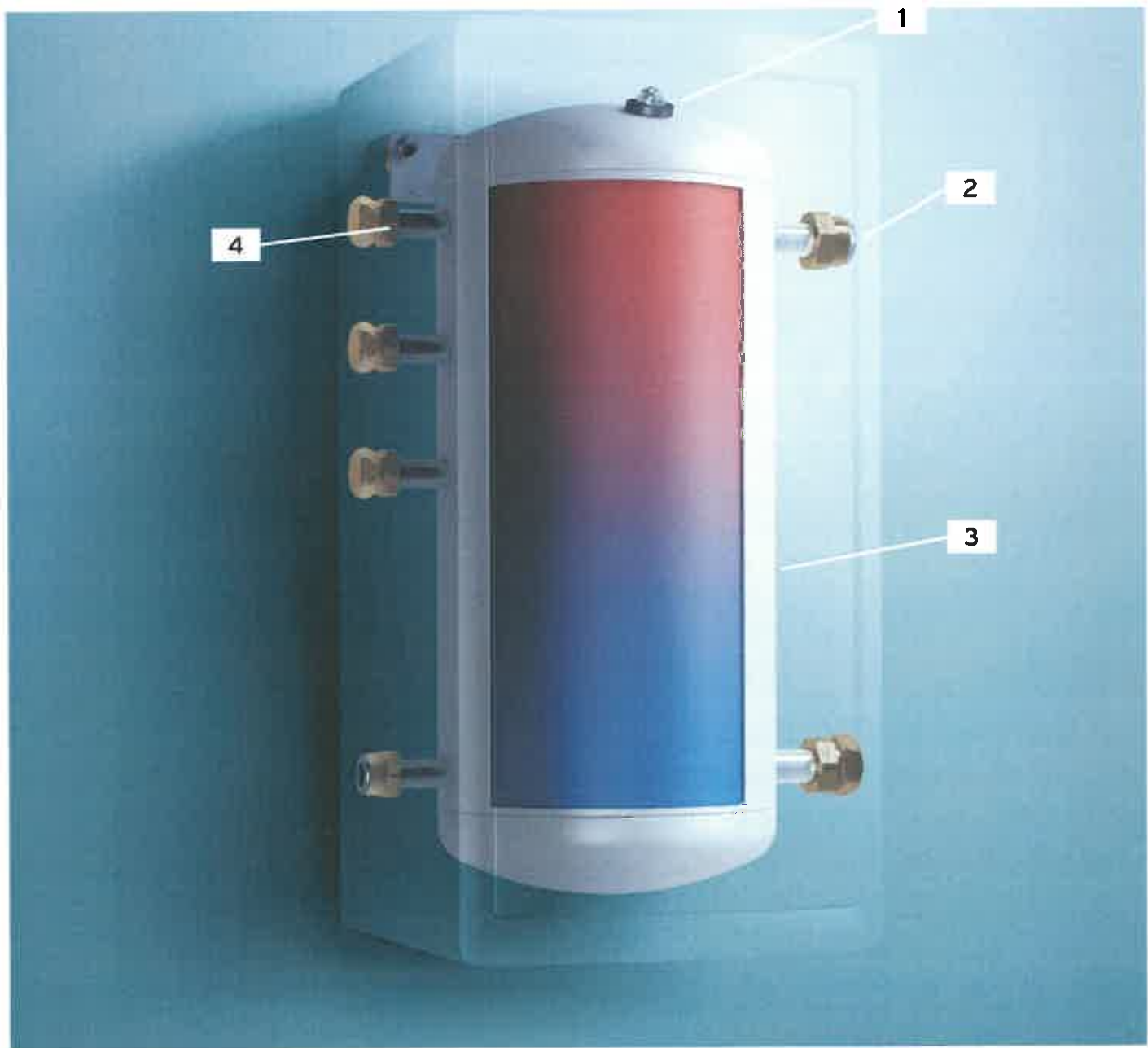
Should the system have multiple zones and/or require an additional pump to support the complete heating system, the buffer tank provides an excellent solution and is easy to site and install. The tank comes complete with an NTC sensor and pocket at the top of the tank as well as an air bleed valve/vent to help remove air from the system.

The four inlets can be used to link two heating sources and heat pumps into one heating set-up to create a hybrid system. In these cases, the buffer tank acts as a mixing module in which the heat pump acts as the primary heat source with the boiler acting as a boost or taking over once the boiler becomes less cost effective and/or efficient than the heat pump.

#### Key features and benefits:

- **Helps maintain heat pump and back-up appliance differentials**  
Resulting in better efficiency and performance
- **Four inlets**  
Allows more system volume to be added to meet the requirements of the heat pump or to link two heat sources together in one heating circuit for a hybrid system
- **Multiple tappings**  
Flexible system design
- **Thermally layered**  
Increased performance
- **Wall-mounted and compact**  
H720mm x D350mm x W350mm: for flexible siting

Wall-mounted 40 litre buffer tank key components



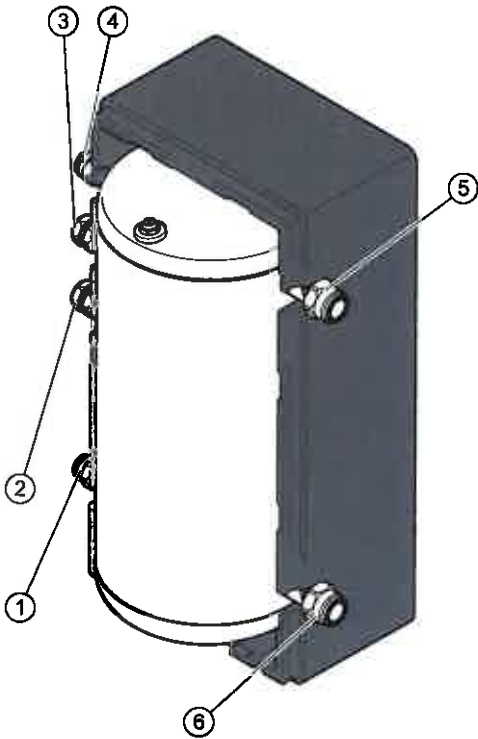
**Key:**

- 1. Air bleed vent
- 2. 1 1/4" connection
- 3. 40 litre buffer tank
- 4. 1" connection

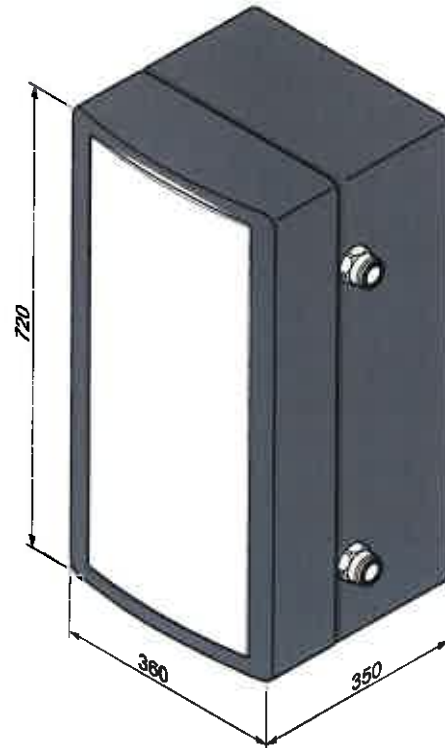


## Wall-mounted 40 litre buffer tank connections, dimensions and specifications

### Connections:



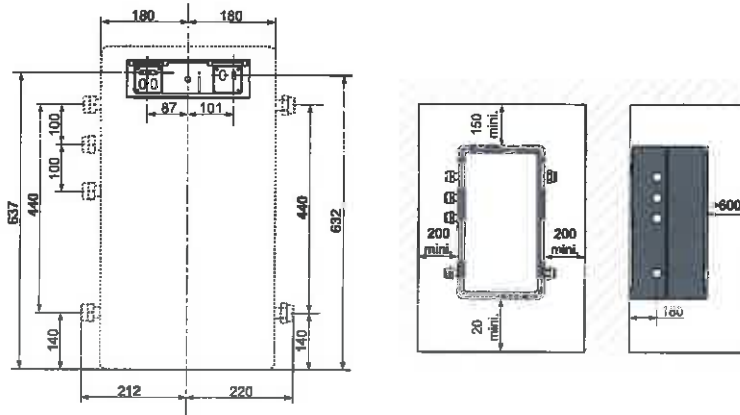
### Dimensions:



### Key:

1. Connector G1"
2. Connector G1"
3. Connector G1"
4. Connector G1"
5. Connector G1 1/4"
6. Connector G1 1/4"

### Clearances:



		VWZ MPS 40
Article number		0020177865
Net weight	kg	18
Nominal capacity of tank	l	40
Maximum admissible water pressure	bar	3.0
	Mpa	0.3
Minimum admissible water pressure	bar	0.5
	Mpa	0.05

uniSTOR unvented cylinders



**uniSTOR is a range of six high grade stainless steel unvented cylinders from Vaillant. Finished with a stylish casing, they are available in a range of sizes from 120 litres to 310 litres.**

The uniSTOR stainless steel cylinder range can be used together with any Vaillant system and open vent boiler (or any existing system or open vent boiler). They work at their best when used with the ecoTEC range of system boilers, where they can make full use of Vaillant's intelligent eBus temperature sensing controls as part of Vaillant's Total System Solution.

**Key features and benefits:**

- uniSTOR cylinders operate using a mains water pressure supply and do not require a feed from a cold water storage tank
- All necessary cold and hot water controls and a 2-port valve for control of domestic hot water are supplied
- All uniSTOR cylinders are backed by a full two year guarantee as well as a 25 year guarantee on the cylinder shell
- Complete with G3 kit and expansion vessel



uniSTOR stainless steel unvented	120	155	180	210	260	310
Article number	0010010900	0010010901	0010010902	0010010903	0010010904	0010010905
External case height (mm)	1001	1191	1371	1593	1843	2153
Diameter (mm)	554.5	554.5	554.5	554.5	554.5	554.5
Approx weight when empty (kg)	26	29	32	36	41	46

## uniSTOR 120/155/180/210/260/310

Technical data	uniSTOR			uniSTOR			
	Unit	120	155	180	210	260	310
Article number		0010010900	0010010901	0010010902	0010010903	0010010904	0010010905
Total capacity	l	120	155	180	210	260	310
Actual capacity	l	119.2	149.1	176.6	211.2	250.3	298.5
Hot water capacity	l	1040	1367	1664	2039	2475	2705
Maximum supply pressure to pressure reducing valve	MPa (bar)	1.2 (12)			1.2 (12)		
Rated pressure of cylinder	MPa (bar)	0.7 (7)			0.7 (7)		
Maximum operating pressure of heating coil	MPa (bar)	0.35 (3.5)			0.35 (3.5)		
Pressure reducing valve	MPa (bar)	0.35 (3.5)			0.35 (3.5)		
Expansion relief valve	MPa (bar)	0.6 (6.0)			0.6 (6.0)		
Temperature and pressure relief valve	°C MPa (bar)	90 0.7 (7)			90 0.7 (7)		
Charge pressure of hot water expansion vessel	MPa (bar)	0.4 (4)			0.4 (4)		
Maximum temperature of heating circuit	°C	85			85		
Maximum temperature of potable hot water	°C	85			85		
Standing heat loss	kW/24 h	1.26	1.53	1.66	1.89	2.07	2.26
Heat up time according to EN 12897	mins	18	23	24	28	35	42
Recovery time (70% capacity)	kW	16	18	17	20	25	30
Primary heat exchanger performance	l/min	18.6	18.8	22.0	22.6	22.3	20.4
Flow rate for primary heat exchanger performance	l/min	23.3			23.3		
Primary heat exchanger pressure drop	mbar	97	97	116	116	116	115
Primary heat exchanger volume	l	2.94	2.94	3.56	3.56	3.56	3.56
Primary heat exchanger surface area	m <sup>2</sup>	0.62	0.62	0.75	0.75	0.75	0.75

## uniSTOR 120/155/180/210/260/310

Technical data	Unit	uniSTOR			uniSTOR		
		120	155	180	210	260	310
Article number		0010010900	0010010901	0010010902	0010010903	0010010904	0010010905
Height	mm	1001	1191	1371	1593	1843	2153
Height with hot water draw off	l	1033	1223	1403	1625	1875	2185
Topple measure	mm	1138	1308	1473	1680	1918	2217
Diameter	mm	554.5			554.5		
Depth	mm	633			633		
Net weight	kg	26	29	32	36	41	46
Weight (full)	kg	145	177.8	209	248	291	345
Connections							
Cold water inlet		22mm unprofiled pipe (crimp joints)			22mm unprofiled pipe (crimp joints)		
Hot water draw off		22mm unprofiled pipe (crimp joints)			22mm unprofiled pipe (crimp joints)		
Pressure-controlled cold water inlet		22mm unprofiled pipe (crimp joints)			22mm unprofiled pipe (crimp joints)		
Secondary return		15mm unprofiled pipe (crimp joints)			15mm unprofiled pipe (crimp joints)		
Primary heater flow		22mm unprofiled pipe (crimp joints)			22mm unprofiled pipe (crimp joints)		
Primary heater return		22mm unprofiled pipe (crimp joints)			22mm unprofiled pipe (crimp joints)		
Primary heating circuit immersion sleeve size	mm	8			8		
Electrical connections							
Immersion heater (according to ENBS 60335)		2.7 kW, 230 V, 50 Hz			2.7 kW, 230 V, 50 Hz		
Length of immersion heater	inch	14			14		
Two port motorised valve		230/240 V, 50 Hz			230/240 V, 50 Hz		
Cylinder thermostat		230/240 V, 50 Hz			230/240 V, 50 Hz		
Material data							
Cylinder body material		Stainless steel (1.4521)			Stainless steel (1.4521)		
Cylinder jacket material		Polypropylene			Polypropylene		
Insulation material		EPS with heat radiation absorber			EPS with heat radiation absorber		
Insulation thickness	mm	50			50		
Corrosion protection		Stainless steel			Stainless steel		
Blowing agent for insulation material		Pentane (GWP < 5)			Pentane (GWP < 5)		
Ozone Depletion Potential		0			0		

### 750mm flexi hose:

Article number 0020165288

- Pre-insulated with 20mm weatherproof high-grade insulation to improve system efficiency and cut installation time
- Right angled fixing to the heat pump to minimise rear clearance
- 28mm copper compression fitting for a fast and easy installation
- 'Kink-free' bending designed to minimise the possibility of kinking in the hose
- 750mm length to suit nearly all site requirements



### Raised rubber feet:

Article number 0020175140

- Available in two sizes: 400mm in length or 600mm in length for 8kW and above - meeting all site requirements
- Raised rubber mounting that offers excellent vibration absorption to minimise noise
- Extra clearance at the base, which improves access to the condensation pipe and drainage
- Improves air flow



### Discharge vessel:

Article number 0020145563

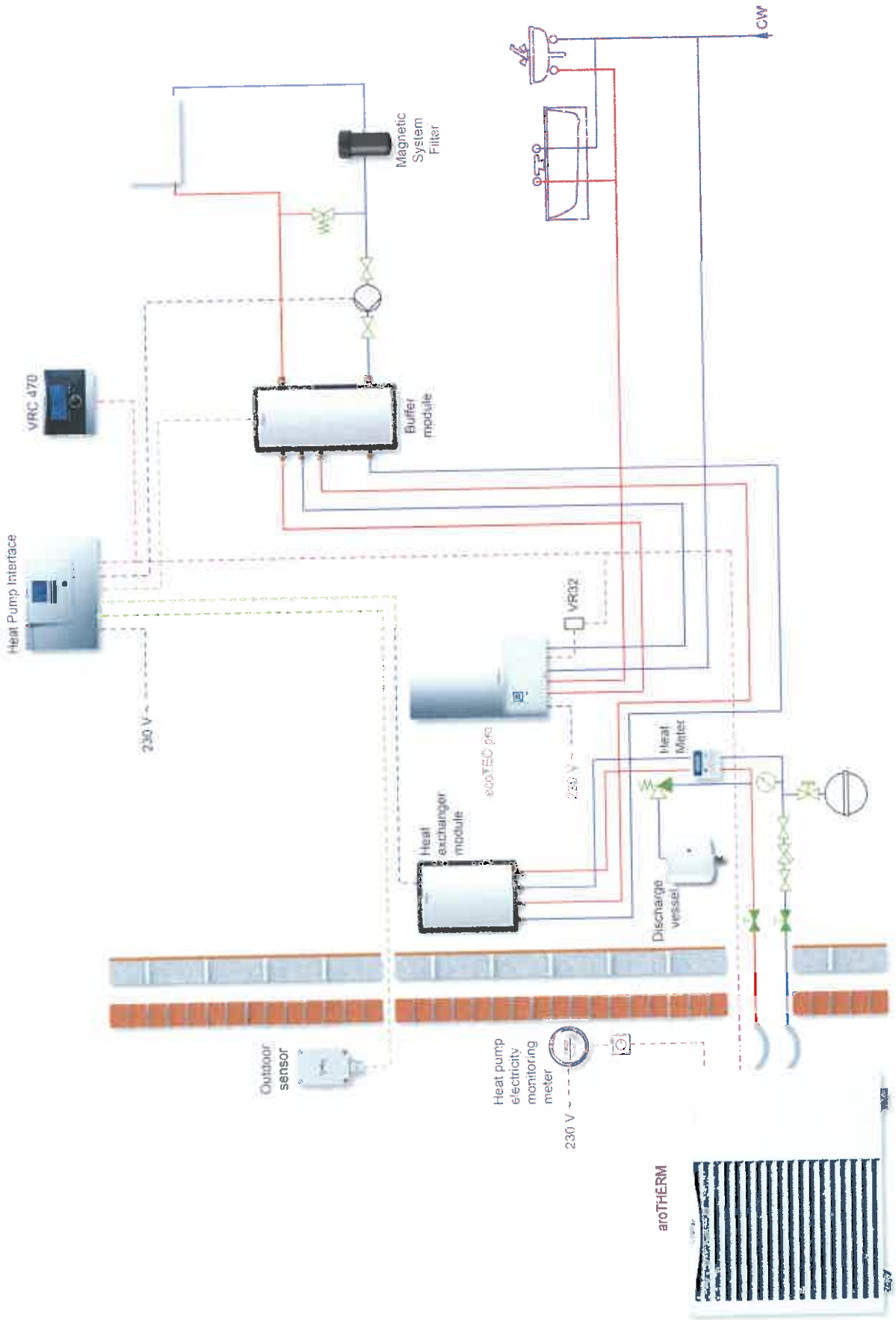
- Small wall-mounted vessel
- Collects heating system glycol if the PRV opens
- Ensures glycol does not discharge into the drainage system





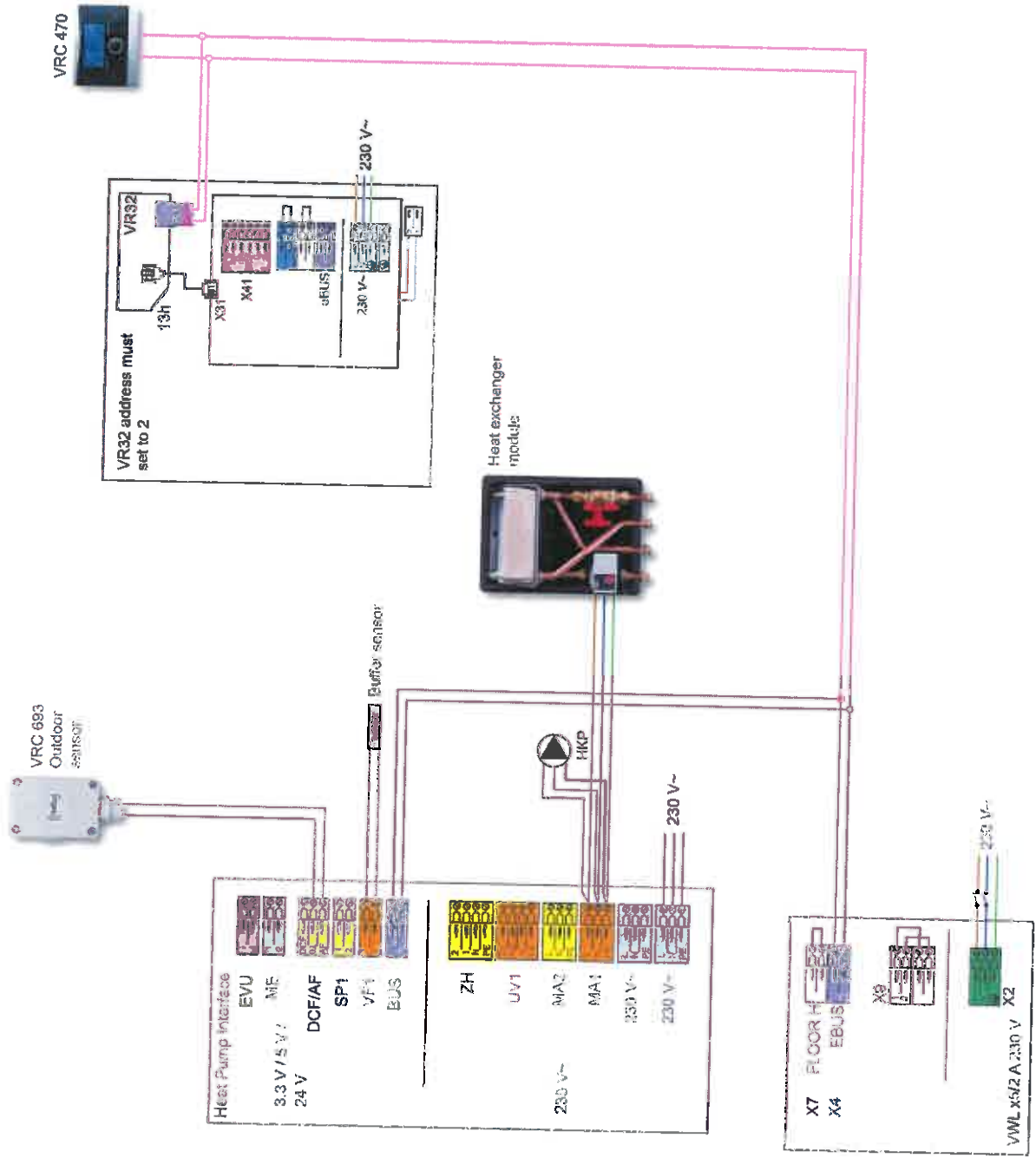
Vaillant combi, rad, 1 zone SMA

On first commissioning select system 10



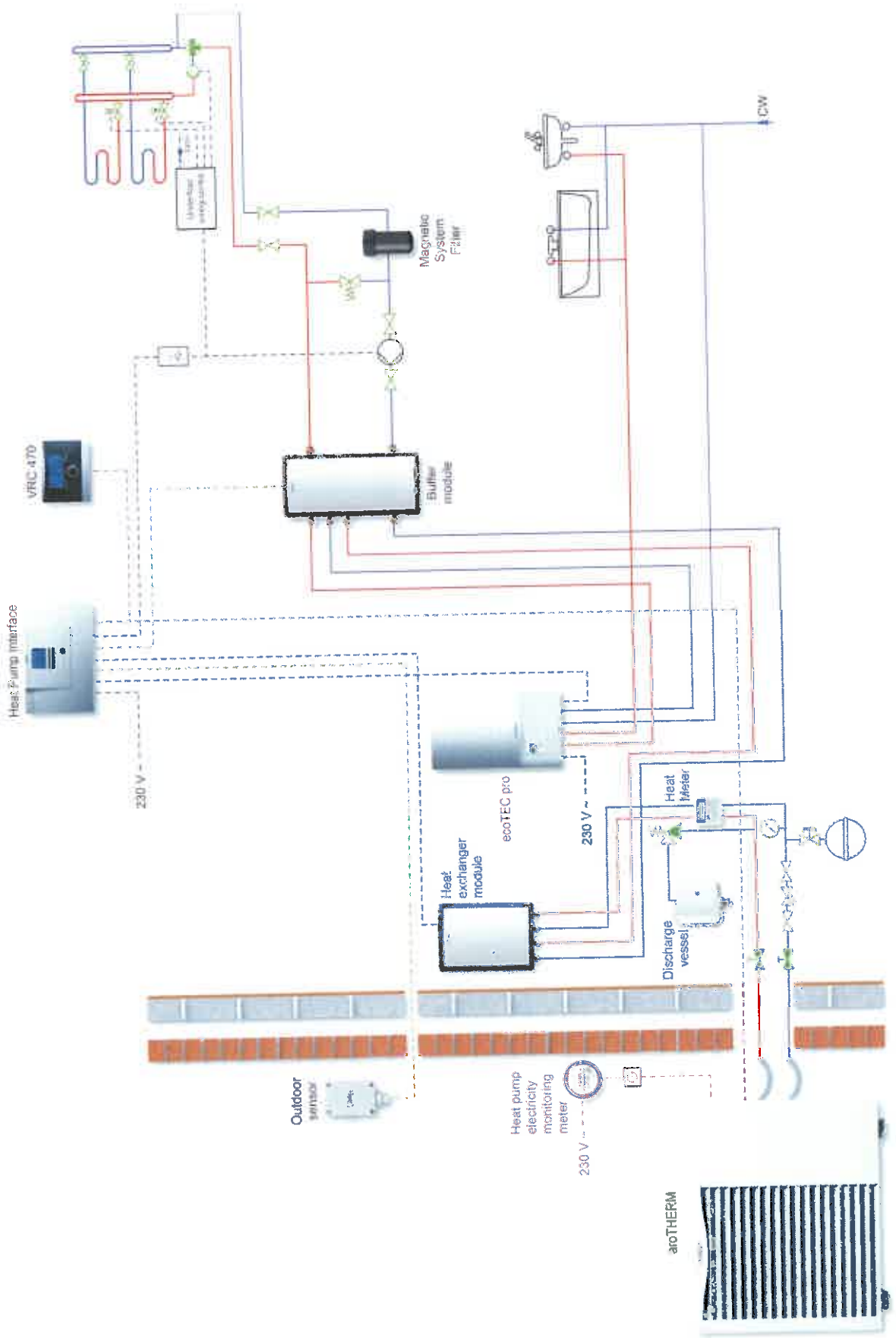


Vaillant combi, rad, 1 zone wiring SMA

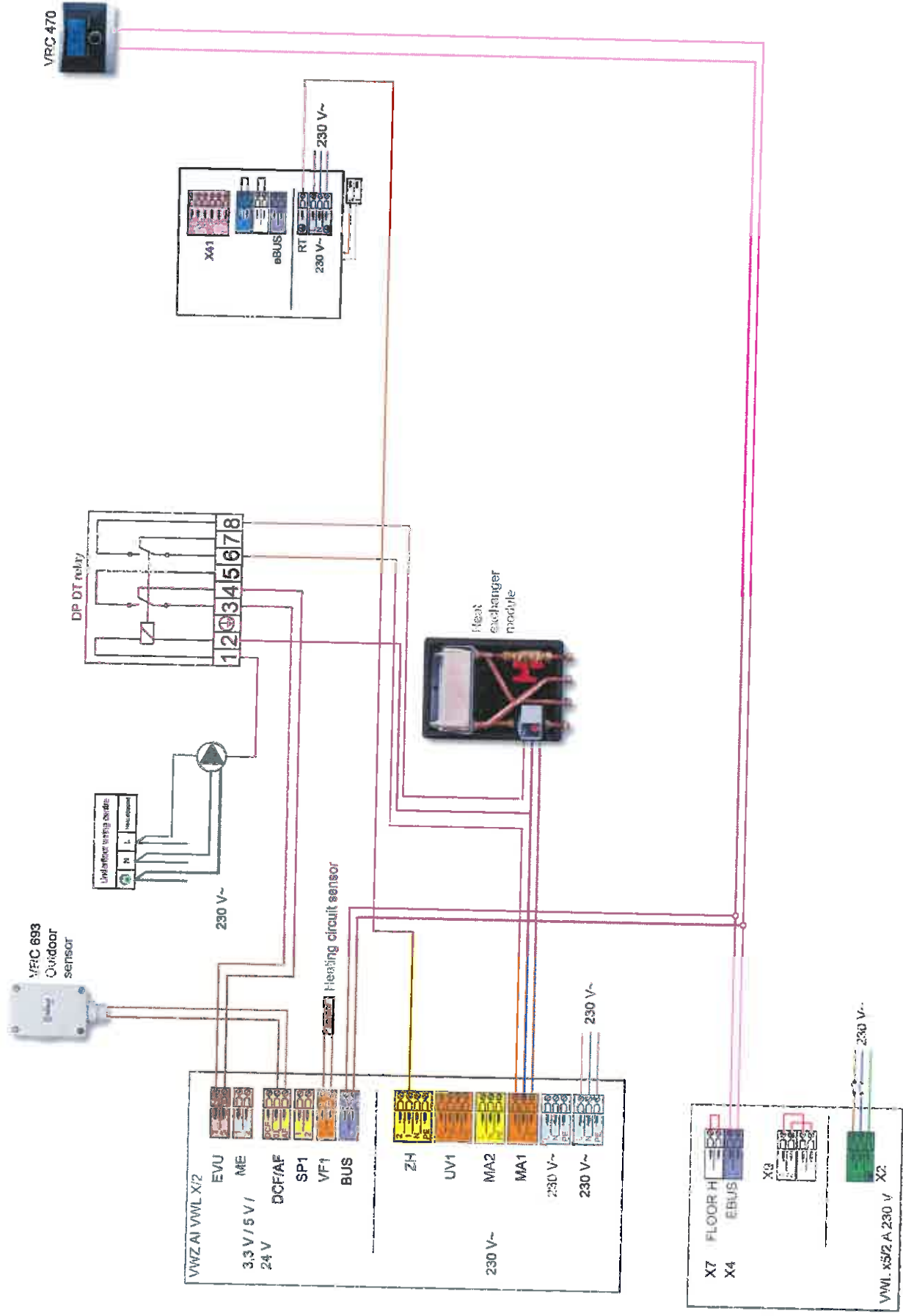


Vaillant combi, underfloor SMA

On first commissioning select system 10

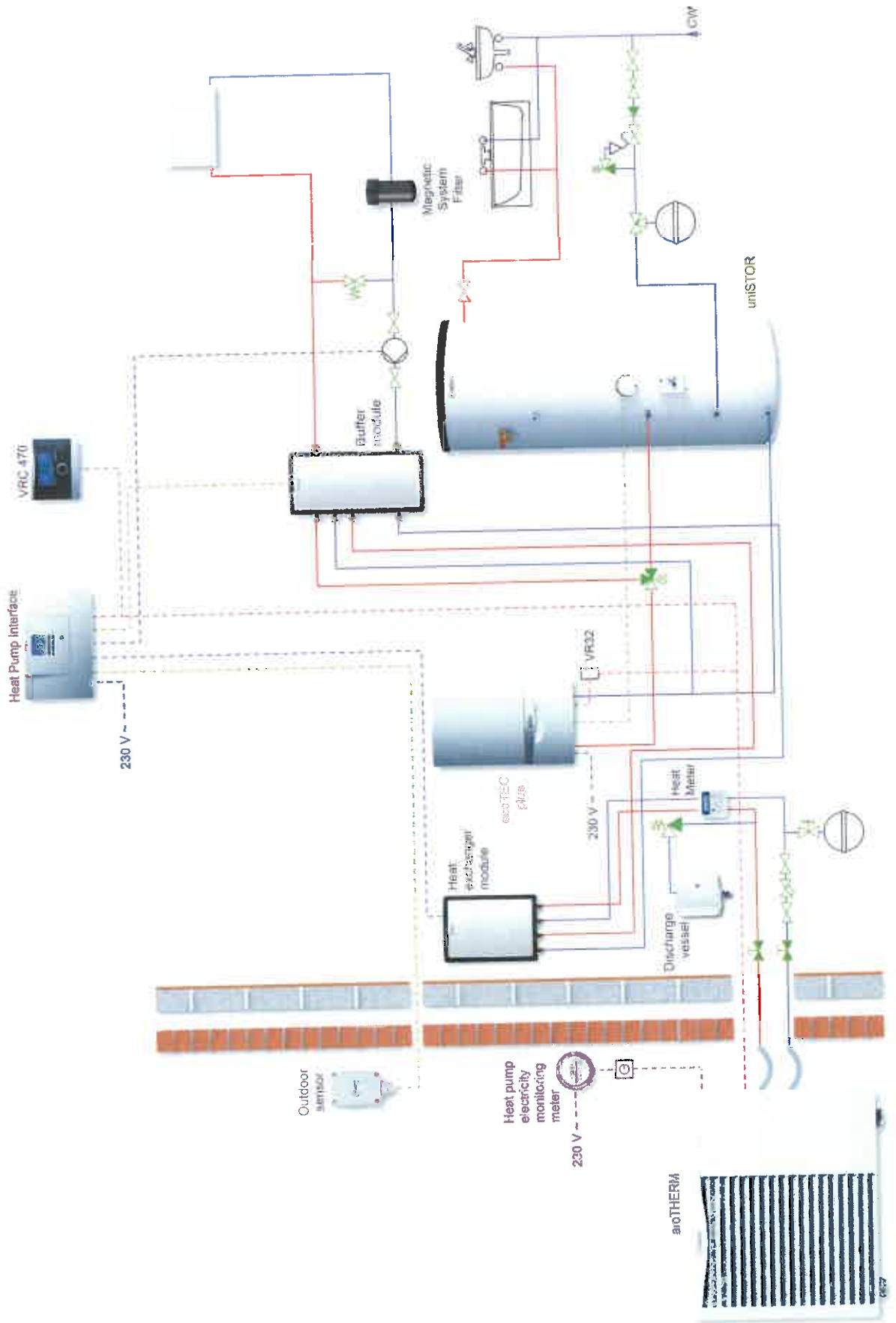


# Vaillant combi, underfloor wiring SMA

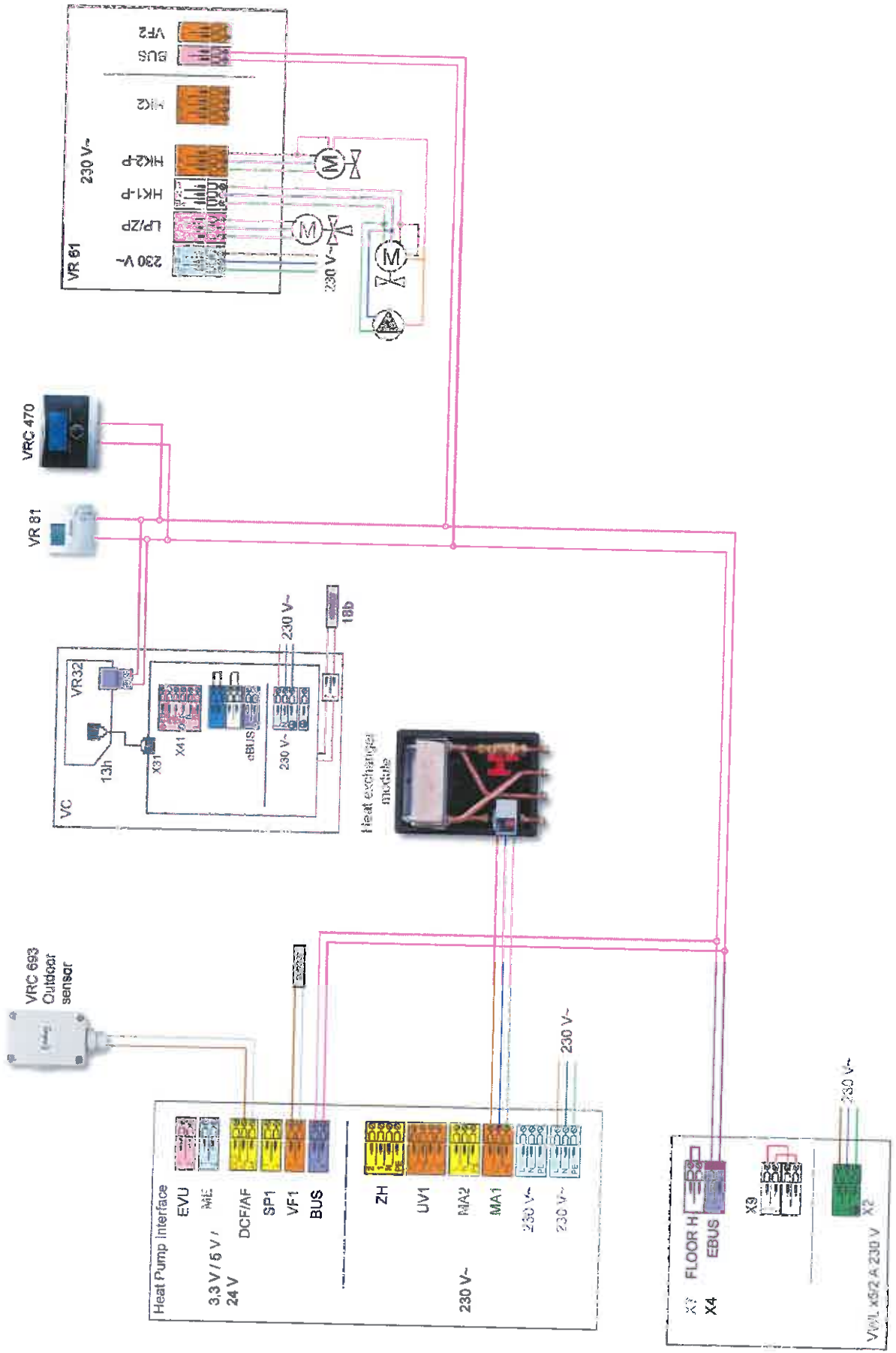


Vaillant system with Rads SMA

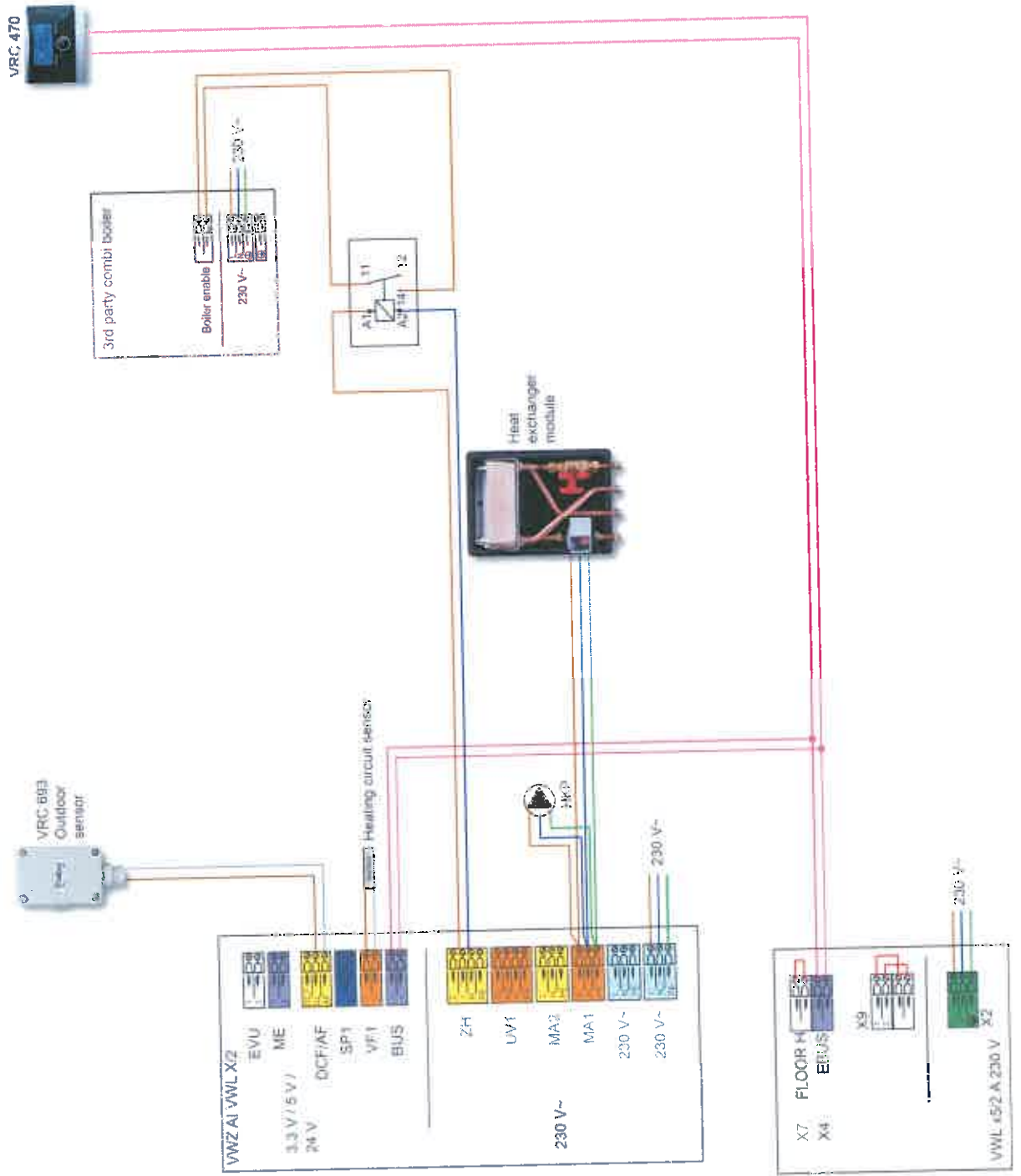
On first commissioning select system 10



# Vaillant system with Rads wiring SMA

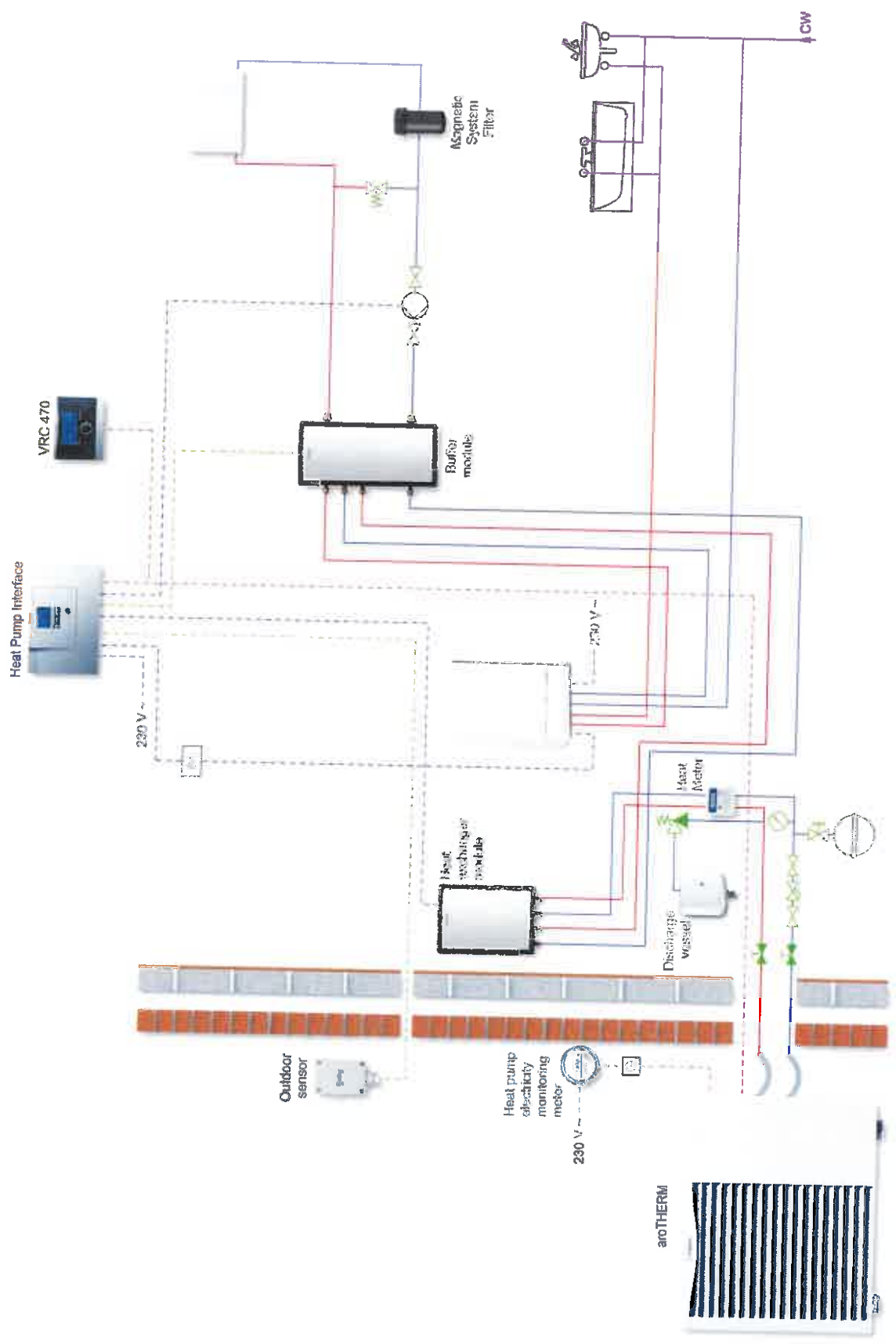


Hybrid combi 3rd party, rad, 1 zone wiring SMA



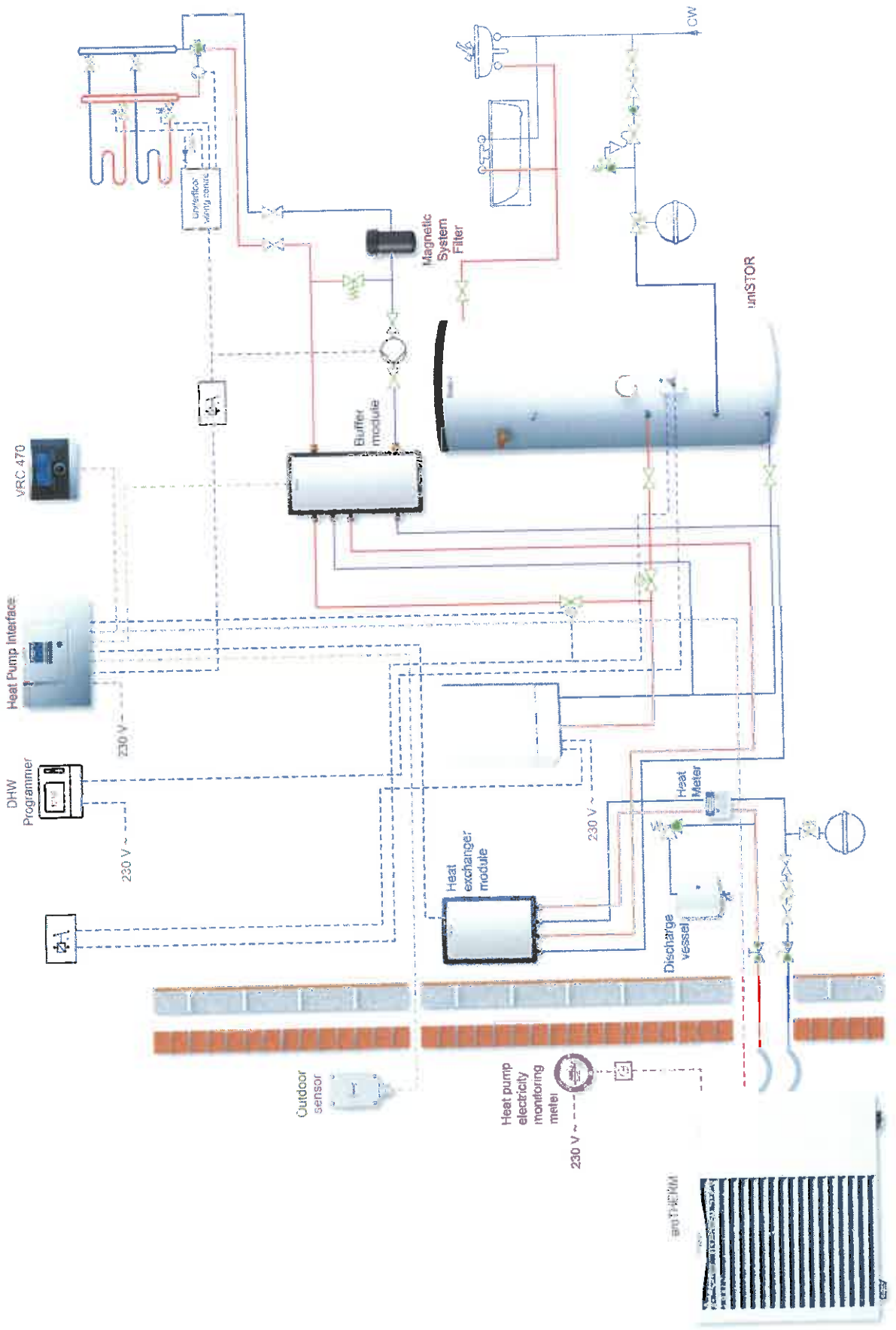
# Hybrid combi 3rd party, rad, 1 zone SMA

On first commissioning select system 10



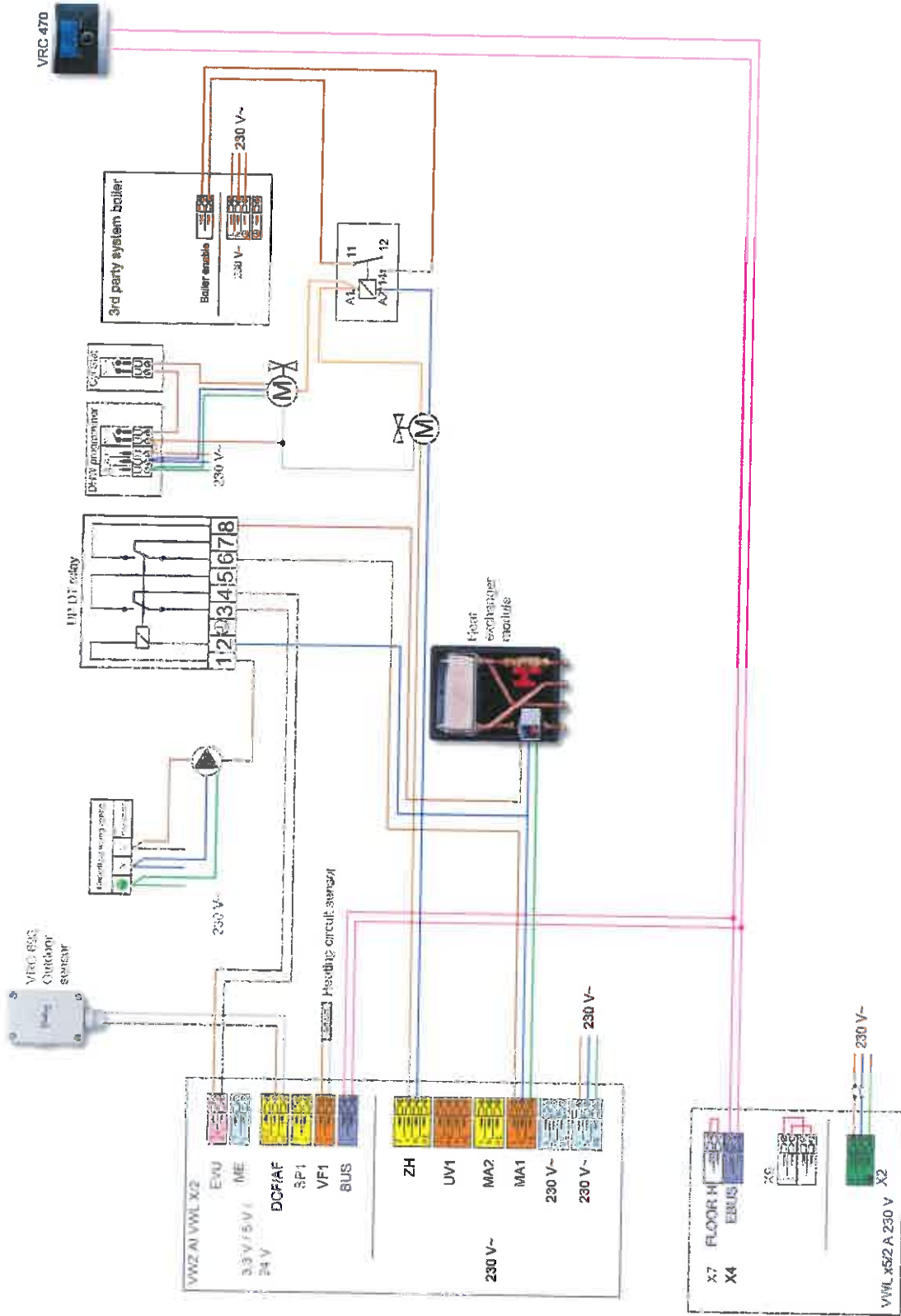
# Hybrid system 3rd party with underfloor SMA

## On first commissioning select system 10



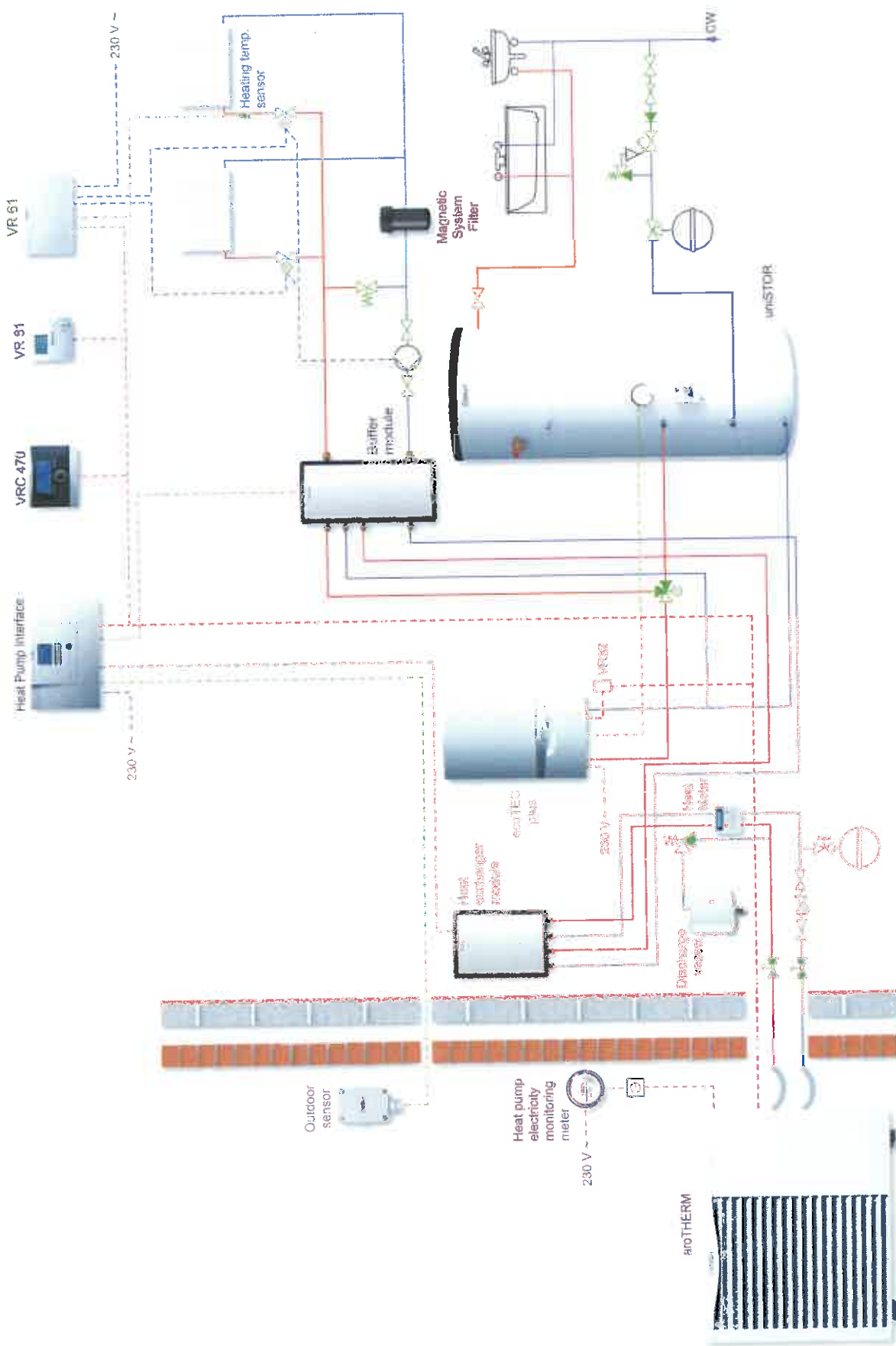


# Hybrid system 3rd party with underfloor wiring SMA

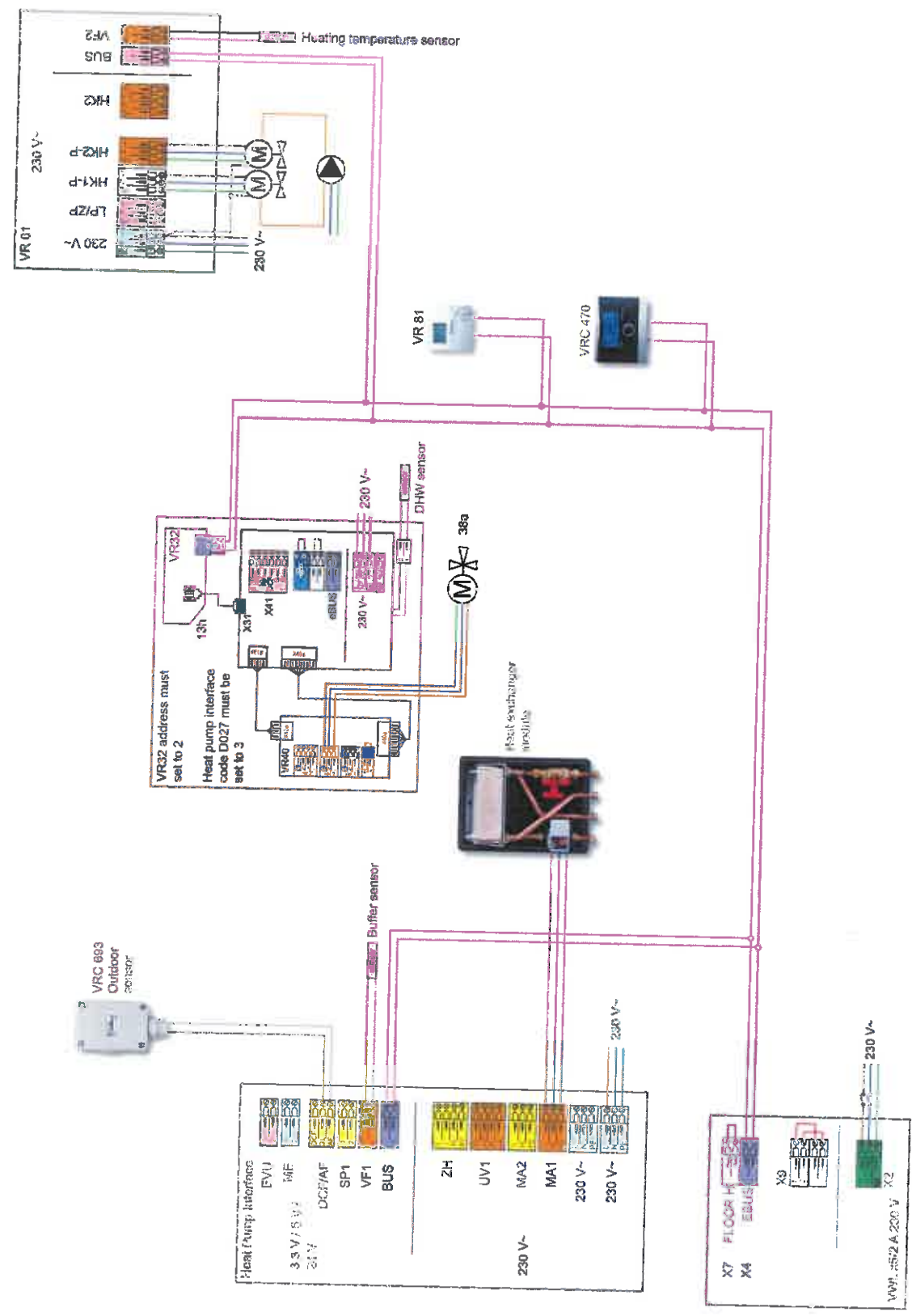


Vaillant hybrid system, 2 zone, rads SMA

On first commissioning select system 10



Vaillant hybrid system, 2 zone, rads wiring SMA



The Vaillant service standard



**Here at Vaillant, we strive towards delivering exceptional service, quality and reliability, so you can rest assured that when you choose us, you'll be supported by the best.**

To back this up, we've taken our commitment to the next level and have invested in a Renewable Technology Division; a team of fully trained engineers who are currently the most qualified team supporting any manufacturer in the UK. Supported by an expertly trained call centre, they're available to assist you whenever you're installing a renewable product.

Our team are here for you every step of the way. From system design by our award-winning experts and assisted commissioning for your first installation, to our network of dedicated spare part distributors; we ensure you get industry-leading support - with no additional cost to your business. With Vaillant you can ensure you and your customers have complete peace of mind.

## The Vaillant service standard



### System design

Good designs are incredibly important if you are going to get the highest level of efficiency and payback from a renewable system. Our award-winning expert design service is completely tailored to suit your individual site requirements. Using the latest state-of-the-art CAD technology, we provide high quality designs supported by full indemnity cover. Our expert system technologies team will also provide planning and on-site support for even the most unique and challenging of renewable projects.

### Straightforward delivery

We will deliver your renewable system anywhere you want, be it directly to the site or to the local trade counter where you placed your order. To make sure that the site is ready to accept the delivery, we will call when we are one hour away from the delivery destination and will arrive with all the correct lifting equipment to ensure that the product is safely transferred to site - it couldn't be easier!

### Assisted commissioning\*

Service engineers will visit the installation and guide you through the first system commissioning, helping with the final stages and the handover of the installation as needed.

### Spares

We have a network of dedicated spare part distributors in over 680 outlets across the UK. Each stockist has been approved by us and commits to hold the majority of Vaillant spares requirements at any one time; otherwise the products are only a phone call away.

### Full local support

Our nationwide sales team provides installers and specifiers with expert support from beginning to end.

\*A charge may apply for this service.

**As well as our range of air to water heat pumps and ecoTEC domestic boilers, we are proud to have a whole suite of commercial and renewable heating and hot water solutions:**

#### We offer a wide range of:

- auroTHERM solar systems
- Commercial wall hung and floor standing ecoTEC boilers
- geoTHERM ground source heat pumps



For further information on our range of renewable systems, visit [www.vaillant.co.uk](http://www.vaillant.co.uk) or contact your local area representative.

The Vaillant service standard



**Your opportunity to go further with Vaillant.  
Become a Vaillant Advance Partner.**

When you sign up to Vaillant Advance, you're not just joining a loyalty programme, you're linking up with the UK's number one heating and renewables manufacturer. A business that's set the standard in the heating market since 1874.

**What benefits can I expect?**

As a Vaillant Advance Partner, you not only get to provide your customers with industry-leading product solutions, you also get to enjoy great business benefits and earn Advance Points to redeem against a huge online catalogue of rewards.

- Up to 25% discount on selected accredited training courses (BPEC, F-Gas, etc.)
- FREE product training at our market-leading nationwide Centres of Excellence
- FREE homeowner advertising on Vaillant's websites
- Quick and easy claims process for both guarantee and Advance Points registration
- Reduced paperwork and administration
- If you install boilers you will get extended guarantees:  
 7 years on ecoTEC plus and ecoTEC exclusive,  
 5 years on ecoTEC pro

Solar collectors	Points
auroTHERM exclusive (vacuum tube extra large set)	8000
auroTHERM plus (flat plate A-frame 3 panel set)	4000

**How can I join the programme?**

You can apply online at: [www.vaillant-advance.co.uk](http://www.vaillant-advance.co.uk) or by calling 01908 214 884



You will find the relevant article numbers referenced throughout this brochure. However for ease of ordering, all aroTHERM and boiler system components are summarised below:

aroTHERM Hybrid for Vaillant boilers		aroTHERM hybrid for incumbent boilers	
aroTHERM 5kW hybrid for Vaillant boiler	0020196233	aroTHERM 5kW hybrid system	0020196235
aroTHERM 8kW hybrid for Vaillant boiler	0020178072	aroTHERM 8kW hybrid system	0020178074
aroTHERM 11kW hybrid for Vaillant boiler	0020178073	aroTHERM 11kW hybrid system	0020178075
aroTHERM 15kW hybrid for Vaillant boiler	0020196234	aroTHERM 15kW hybrid system	0020196236

Please note aroTHERM hybrid system packs do not include boilers.

Article number	Vaillant parts
0020145563	Discharge vessel
0020177865	40 litre buffer tank
0020143800	Heat exchanger module (HEX)
0020145030	6kW inline back up heater
0020175140	Anti-vibration rubber mounting feet
0020165288	Flexi hoses
HPC200	200 litre heat pump cylinder
HPC250	250 litre heat pump cylinder
HPC300	300 litre heat pump cylinder
0020129323	VR81/2
0020139853	VR61
0020139859	VR68

### **Renewables Service**

For renewables products servicing  
and commissioning:

**Telephone: 020 7022 0928**

### **Renewable Technologies Division**

For more information on our dedicated  
Renewable Technologies Division engineers:

**Telephone: 0844 736 0048**

**Email: [renewablesaftersales@groupservice.co.uk](mailto:renewablesaftersales@groupservice.co.uk)**

### **Technical Enquiries**

For technical assistance:

**Telephone: 0844 693 3133**

**Email: [technical@vaillant.co.uk](mailto:technical@vaillant.co.uk)**

### **Bespoke Design Service**

For more information contact your  
local sales representative.

### **Training Enquiries**

For information on training courses  
and centres in your area:

**Telephone: 0845 601 8885**

**Email: [training@vaillant.co.uk](mailto:training@vaillant.co.uk)**

### **Installers**

For installers wishing to purchase  
Vaillant products, this is possible  
either over the counter or as a next  
day service at most plumbing and  
heating merchants in the UK.

To find contact details for your  
nearest Vaillant sales representative:

**Telephone: 0845 602 2922**

#### **Vaillant Group UK Ltd.**

Nottingham Road, Belper, Derbyshire DE56 1JT

**Telephone: 0845 602 2922** [www.vaillant.co.uk](http://www.vaillant.co.uk) [info@vaillant.co.uk](mailto:info@vaillant.co.uk)

