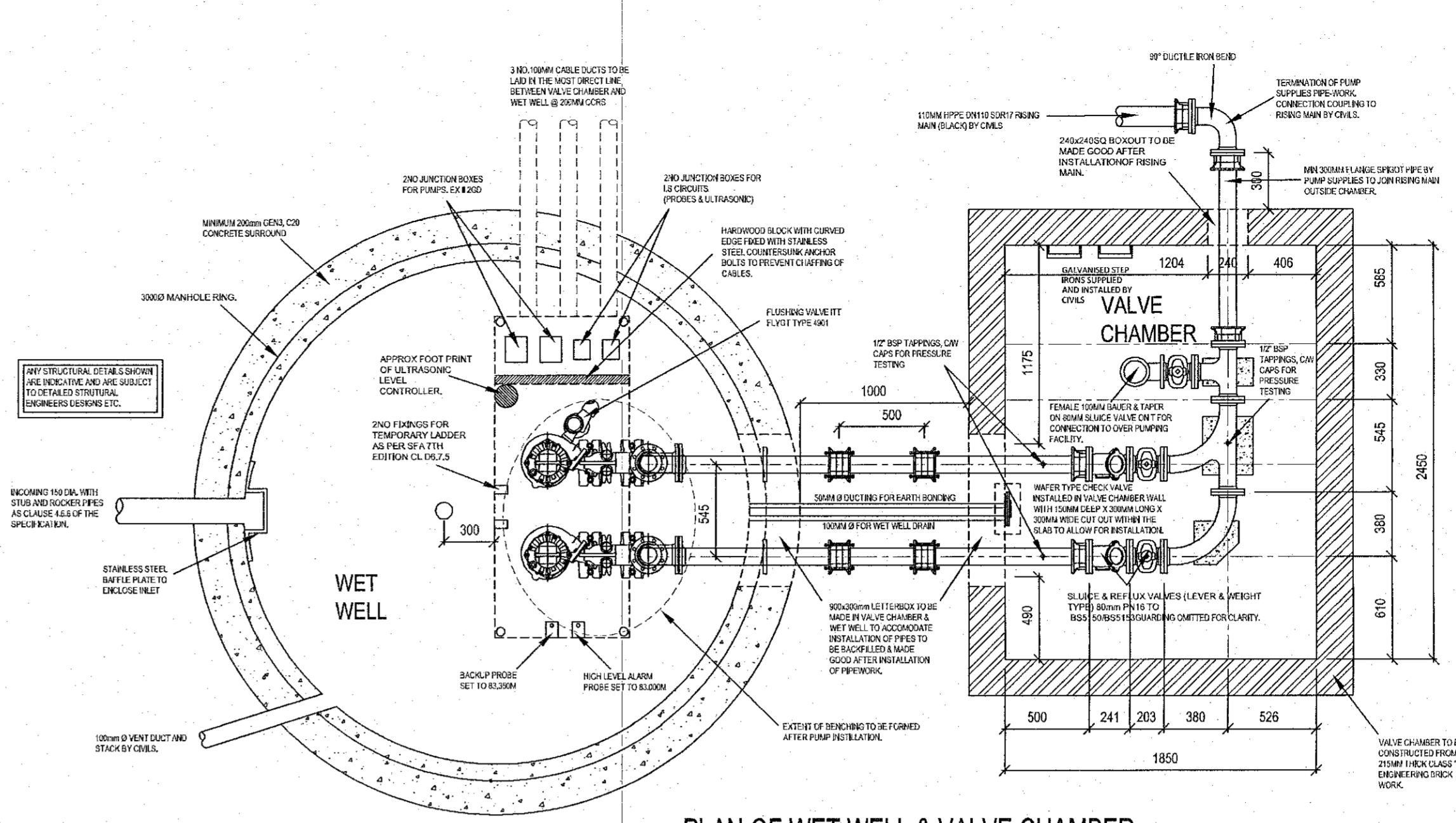
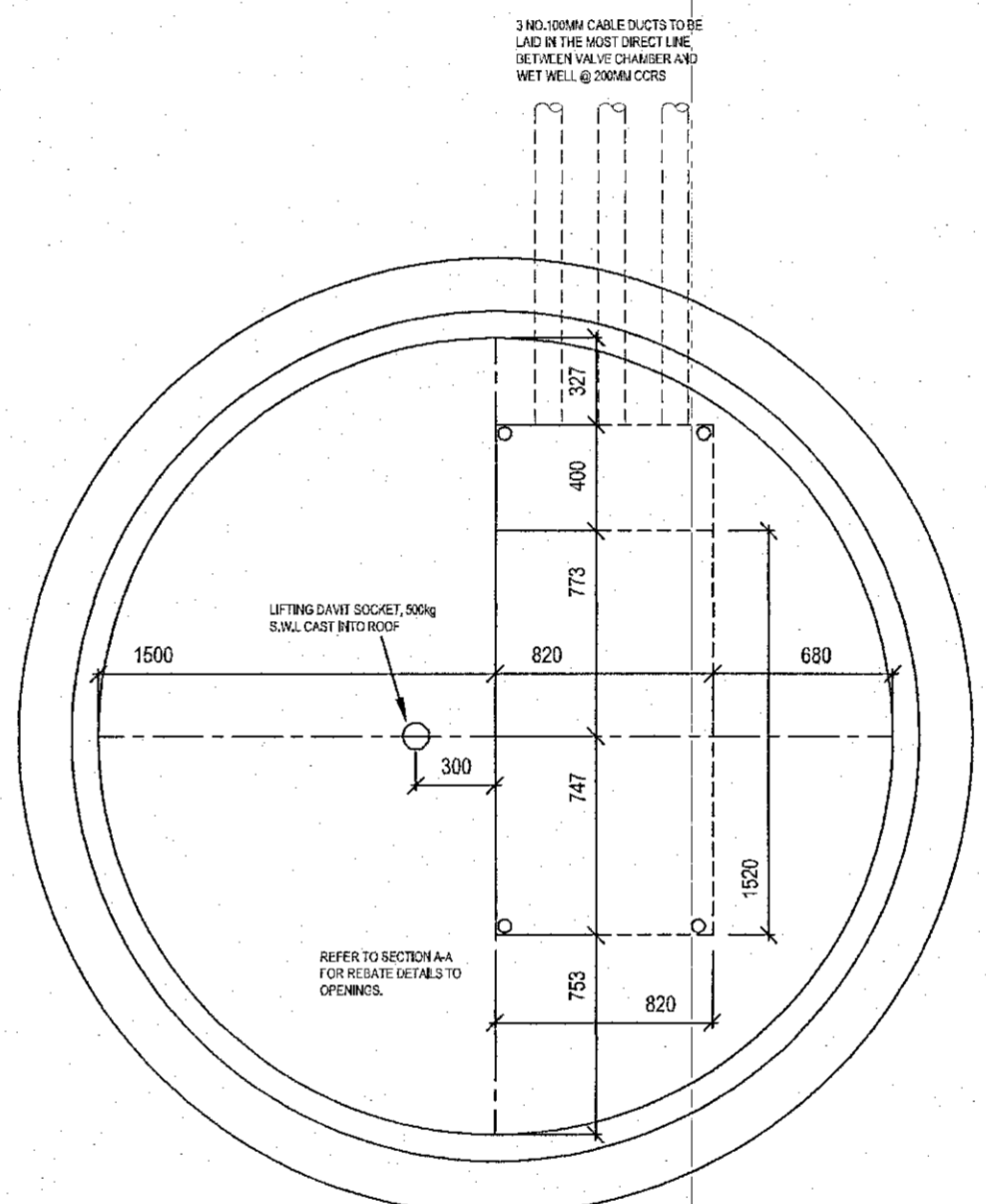


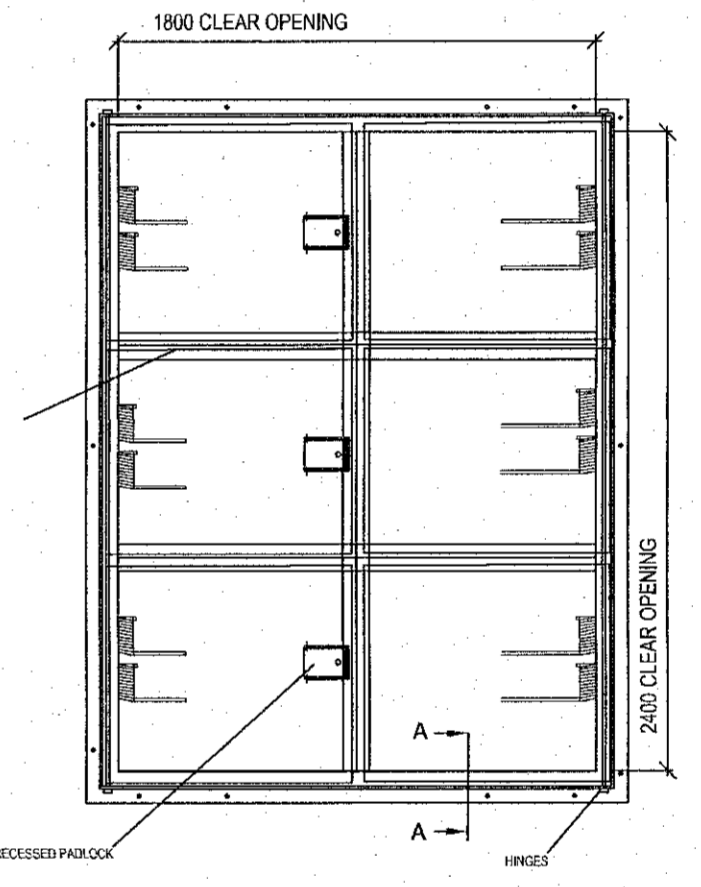
SECTION A-A



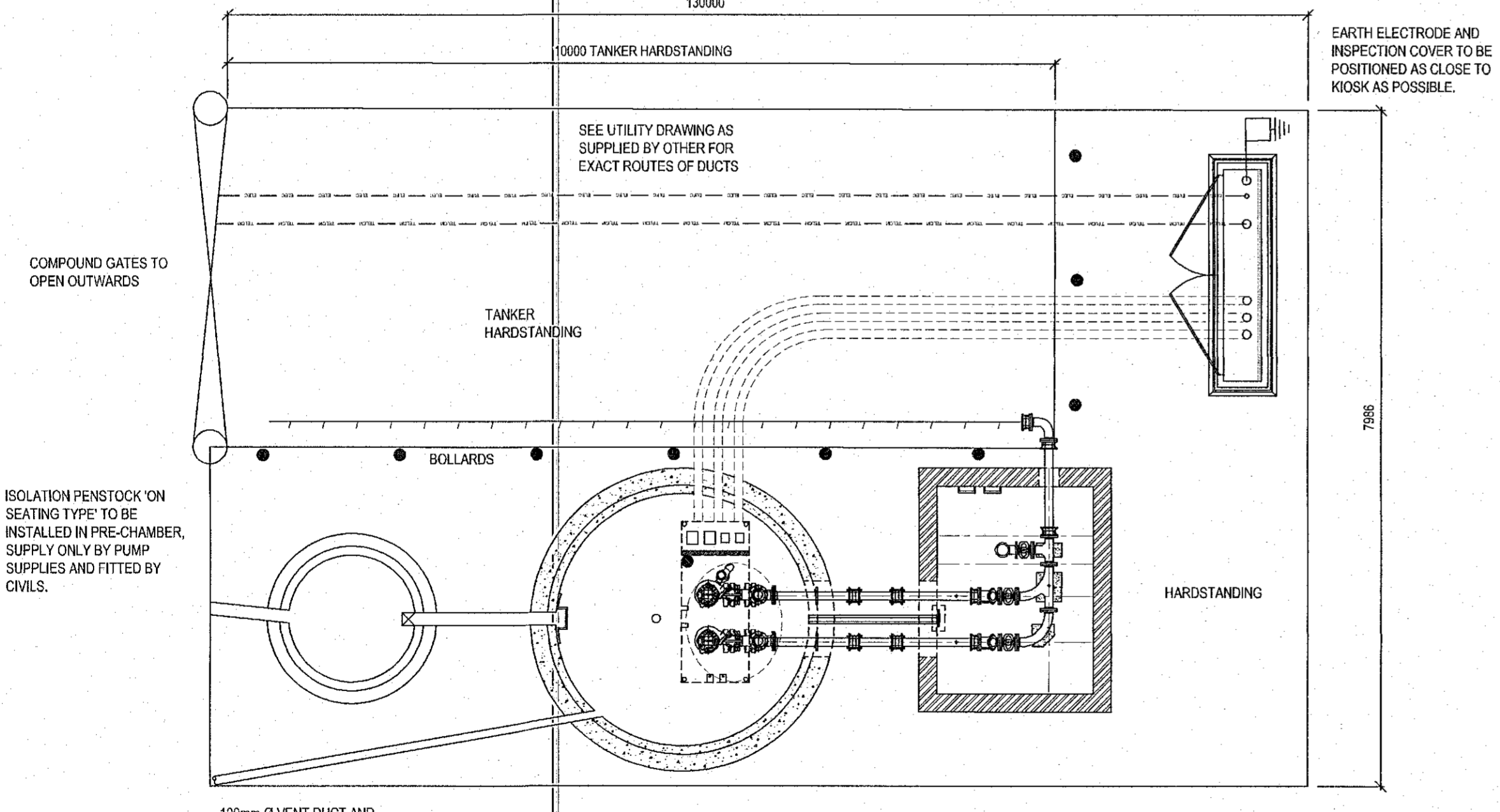
PLAN OF WET WELL & VALVE CHAMBER



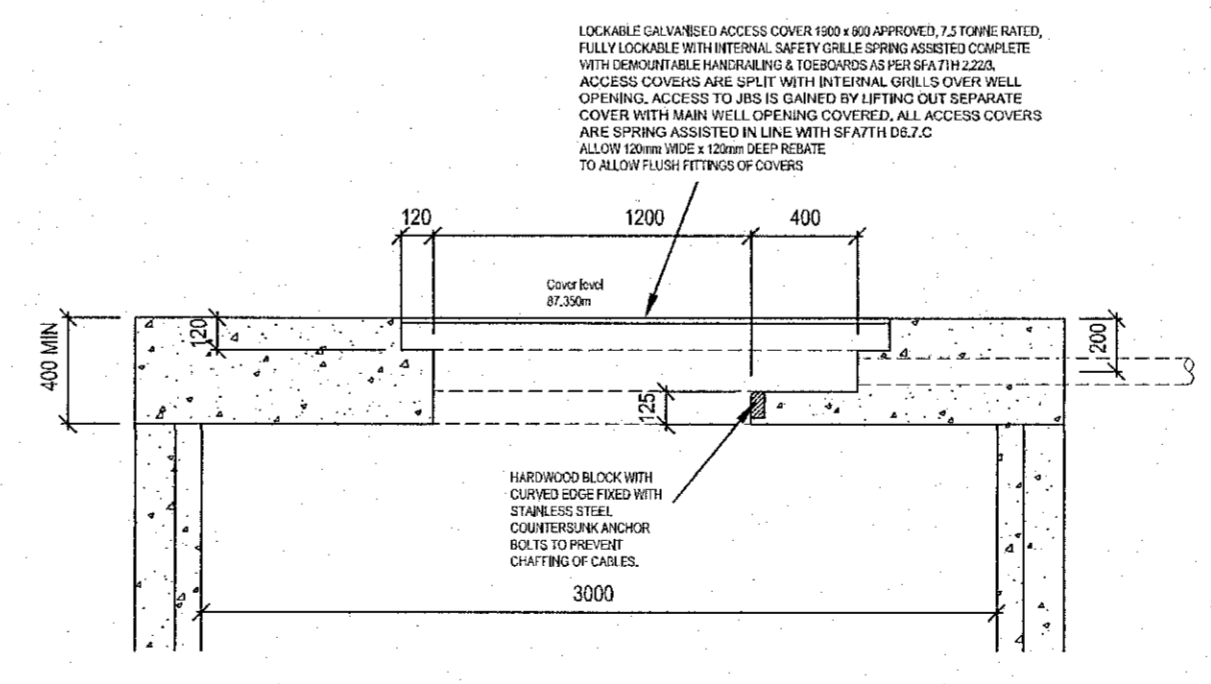
WET WELL ACCESS OPENING POSITION



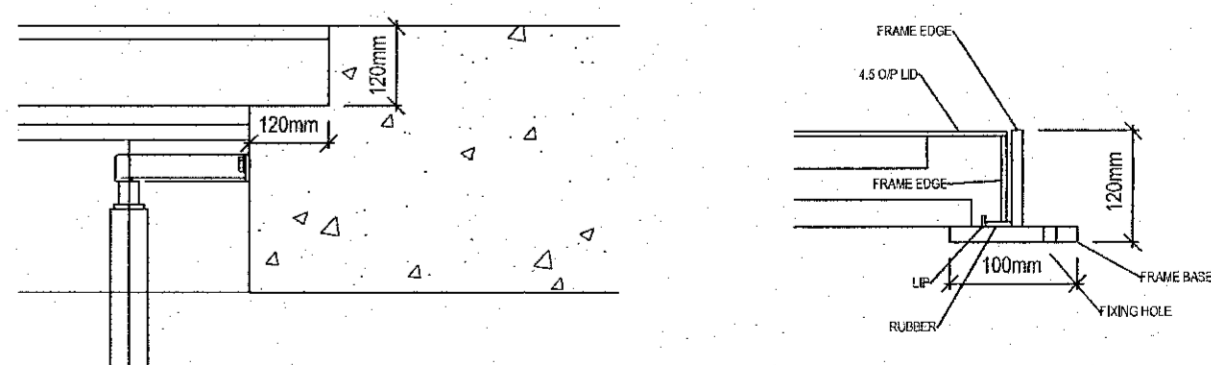
VALVE CHAMBER ACCESS POSITIONS



COMPOUND & DUCTING ARRANGEMENTS



PROPOSED CROSS SECTION THROUGH COVER SLAB



REBATE DETAILS

ISSUED FOR CONSTRUCTION

DAVID WILSON HOMES WHERE QUALITY LIVES		Pump Specialists		PUMP & PUMPING STATION SPECIALISTS		TITLE GENERAL ARRANGEMENT OF 2 SUBMERSIBLE SEWAGE PUMPS	
303 Bridgewater Place Birkwood Park, Preston, Warrington WA5 6XF.		BROOKING WAY, WOODFORD PARK INDUSTRIAL ESTATE WINDFORD, CHESTRE CW7 2JR TEL: 01696 863343 FAX: 01696 863159		DRAWN JL	DATE 18.04.17	ORIGINAL SCALE 1:20	ORIGINAL SIZE A0
REV	DATE	DESCRIPTION		DRAWING NUMBER	17-064-1	SHEET 001	REV B
B	05.07.17	ISSUED FOR CONSTRUCTION		DO NOT SCALE			
A	28.06.17	REVISED IN ACCORDANCE WITH UNITED UTILITIES					