

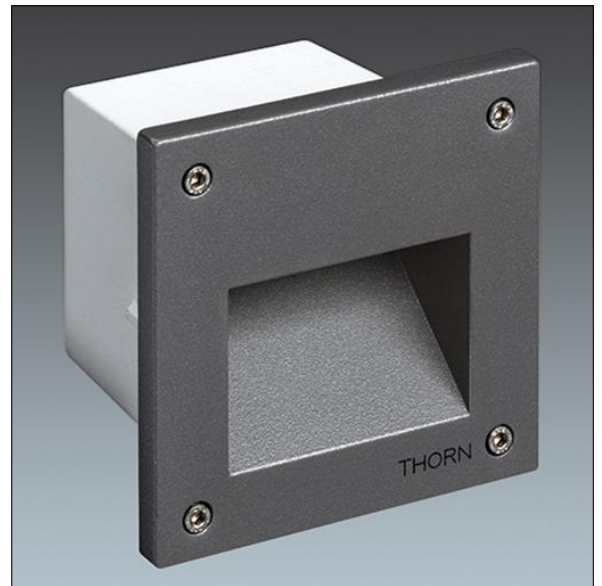
Linn

LNFSB / 96262131 LINN SQ BAF FRAME

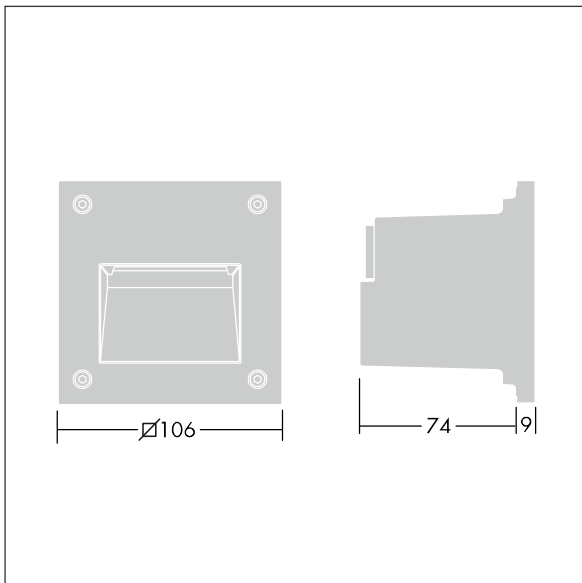
THORN

Linn

Baffle frame for square Linn luminaire.



TLG_LINN_F_SQBAFFLEPDB.jpg



TLG_LINN_M_LDSQINVS.wmf

All values marked with an * are rated values. Unless stated otherwise, the values apply to an ambient temperature of 25°C.

Thorn Lighting is constantly developing and improving its products. The right is reserved to change specifications without prior notification or public announcement.
© Thorn Lighting

Linn

THORN

LN32K34S / 96262124 LINN SQ LED 2L35 832
+ LNFSF / 96262129 LINN SQ FR GL FRAME

LED	3W LED_80	IP65	IK10			850°C	T _a 35	
-----	-----------	------	------	---	---	-------	-------------------	--

Linn

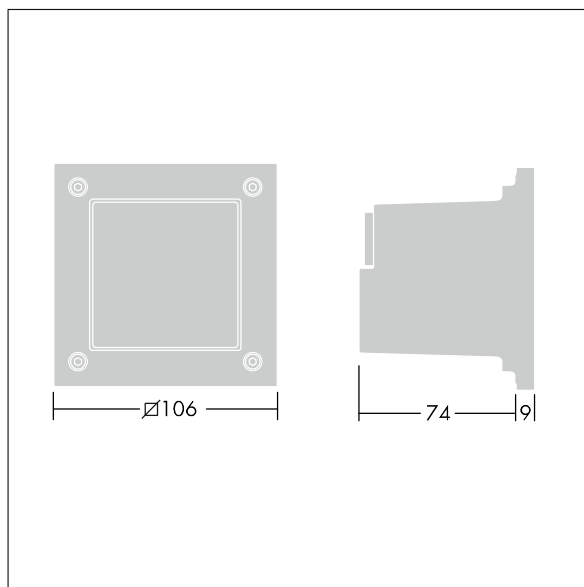
A square, wall recessed LED luminaire for pathway lighting applications. Electronic, fixed output control gear. Class I electrical, IP65, IK10. Body: die-cast aluminium, painted grey (Akzo Nobel 900). Glass: tempered glass, 6mm thick. Recessed housing (required, to be ordered separately): polypropylene. Complete with 3200K LED

Dimensions: 106 x 106 x 83 mm
Weight: 0.3 kg

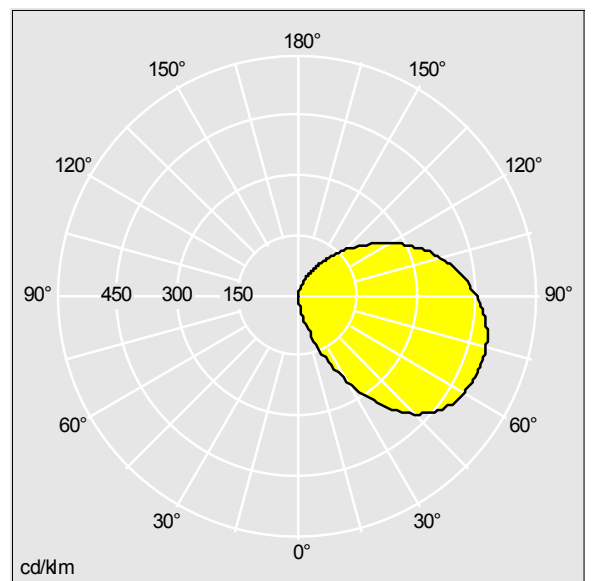
Equipped with:
Frosted glass frame for square Linn luminaire.



TLG_LINN_F_SQFR.jpg



TLG_LINN_M_LDSQGL.wmf



TLLA_LISQFR_DC.idt

Lamp position: STD - standard
Light Source: LED
Luminaire luminous flux*: 80 lm
Luminaire efficacy*: 24 lm/W
Lamp efficacy: 24 lm/W

Correlated colour temperature*: 3200 Kelvin
Ballast: 1x EL2
Luminaire input power*: 3.4 W $\Lambda = 0.47$
Dimming: Fixed output
LOR: 1,00 ULOR: 0,39 DLOR: 0,61

All values marked with an * are rated values. Thorn uses tried and tested components from leading suppliers, however there may be isolated instances of technology-related failures of individual LEDs during the rated product lifetime. International standards set the tolerance in initial flux and connected load at $\pm 10\%$. Colour temperature is subject to a tolerance of up to ± 150 Kelvin from the nominal value. Unless stated otherwise, the values apply to an ambient temperature of 25°C.

In most products the failure of one LED point causes no functional impairment to the lighting performance of the luminaire and is therefore no reason for complaint.

Thorn Lighting is constantly developing and improving its products. The right is reserved to change specifications without prior notification or public announcement.
© Thorn Lighting

Linn

LNFRB / 96262135 LINN RCT BAF FRAME

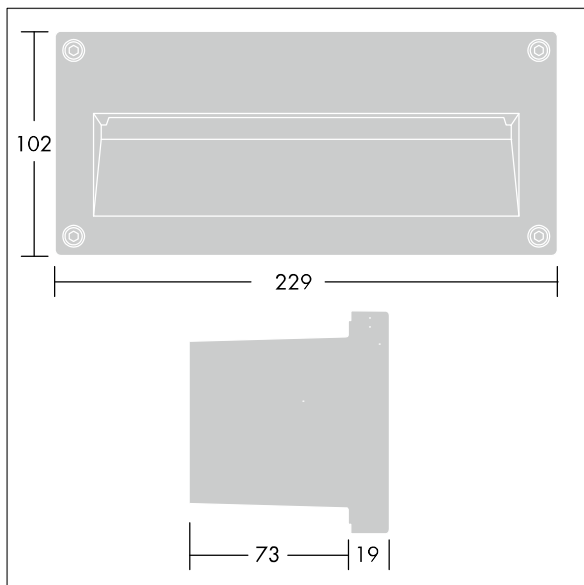
THORN

Linn

Baffle frame for rectangular Linn luminaire.



TLG_LINN_F_RCTBAFFLE.jpg



TLG_LINN_M_LDRCTINVS.wmf

LN18R / 96262128 LINN RCT 18W TC-D G24d-2 + LNFRF / 96262133 LINN RCT FR GL FRAME

G24d-2 	18W TC-D	IP65	IK10			850°C	T _a 35
--	----------	------	------	---	---	-------	-------------------

Linn

A rectangular, wall recessed luminaire for pathway lighting applications. For 1 x 18W TC-D. magnetic. Class I electrical, IP65, IK10. Body: die-cast aluminium, painted grey (Akzo Nobel 900). Glass: tempered glass, 8mm thick. Recessed housing (required, to be ordered separately): polypropylene. Lamp to be ordered separately.

Dimensions: 102 x 229 x 92 mm

Total power: 28 W

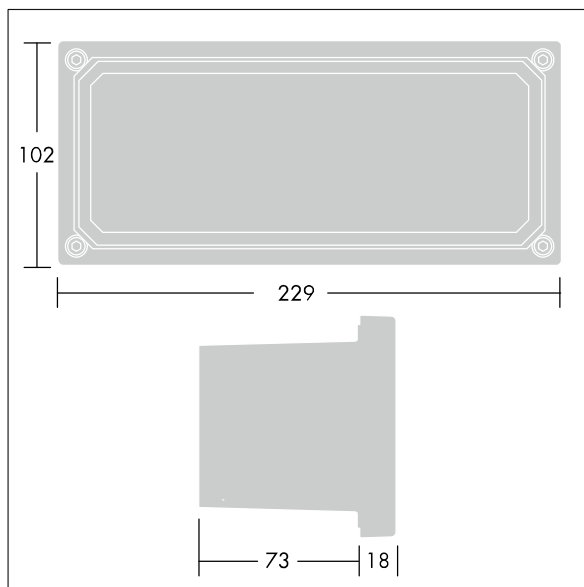
Weight: 0.96 kg

Equipped with:

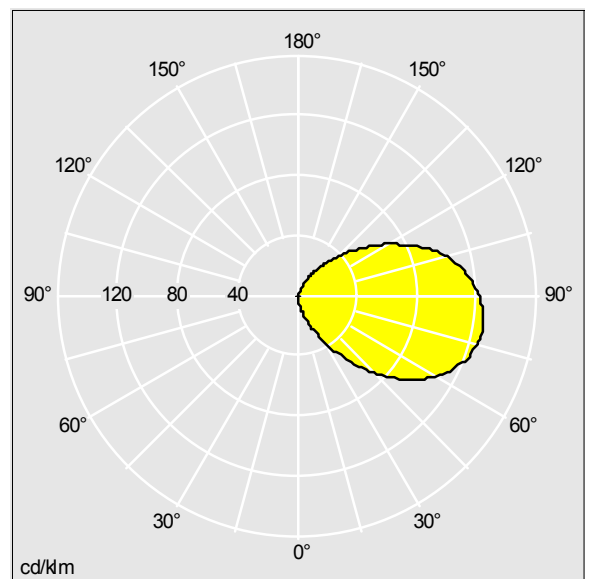
Frosted glass frame for rectangular Linn luminaire.



TLG_LINN_F_LEDRCFR.jpg



TLG_LINN_M_LDRCTGL.wmf



TLLA_LIRCFL.idt

Lamp position: STD - standard
Light Source: 1 x TC-D / 18W
Luminaire luminous flux*: 307 lm
LOR: 0,26 ULOR: 0,11 DLOR: 0,15

Lamp luminous flux: 1 x 1200 lm
Colour Rendering Index min.: 80
Ballast: 1x MAG

GROUND LIGHTS TECHNICAL SPECIFICATION SHEET



Also available in RGB (GL040)



**COLLINGWOOD
LIGHTING**

GL040



GL041



GL040 3W LED GROUND LIGHT

GL041 SQUARE 3W LED GROUND LIGHT



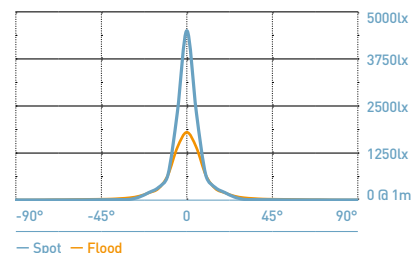
Features & Benefits

Equivalent to 20W Halogen & 35W AR111

Robust cable for outdoor use

PHOTOMETRICS @ 25°C

Colour	Product code	Beam angle	Wattage	Life of LED	CRI	lm	lm/W	lx (1m)
NW / 4000K	GL040 F NW	20°	3W	L70, B10 70,000hrs	>70Ra	200	67	1800
	GL040 S NW	12°						4500
	GL041 F NW	20°						1800
	GL041 S NW	12°						4500
WW / 3000K	GL040 F WW	20°			>80Ra	160	53	1253
	GL040 S WW	12°						3210
	GL041 F WW	20°						1253
	GL041 S WW	12°						3210
BL	GL040 F BLUE	20°	N/A	25	10	25		
	GL040 S BLUE	12°				62		



GENERAL

Bathroom zone	0
Construction material	Stainless Steel (316)
Cut-out (mm)	65
Drive over / Walk over	Walk over (5mm toughened glass)
Face temperature when lit (°C)	<40
IP rating	68 (submersible to 9m)
Maximum ambient temperature (ta = °C)	35
SELV (separated extra low voltage) driver	N/A (refer to LED DRIVERS section below)
Weight (g)	GL040: 720 GL041: 760

WIRING

Cable/flying lead (m)	3 (H05RN-F) rubberised cable (outside diameter: 6mm)
Type of wiring required	Series

LED DRIVERS

Bathroom zone applicable to fitting only

Product code	mA	SELV	Dimming	Bathroom zone	Min	Max
PLU/350 1-9	350	Yes	No	1	1	3
PLR/350 1-5			No	0	1	1
PLD UNI-DRIVE 350MA			Yes (1-10V)	2	1	3

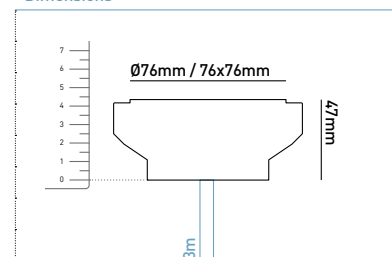
ACCESSORIES

Product code	Description
JB2 / JB4 / JB6	IP68 waterproof connectors
TUBE/68	Installation tube
PDC/GRID DIMMER	Grid dimmer kit for multiple fitting types

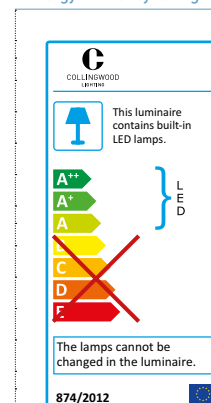
WARRANTY

7 year extended warranty available

Dimensions



Energy efficiency rating



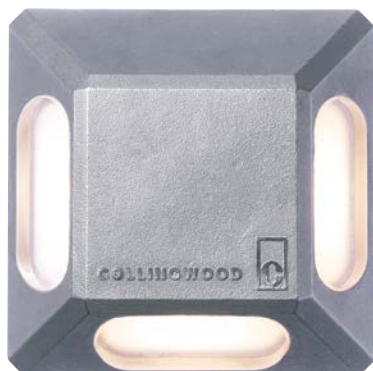
3 SDCM
Colour consistency
between sources

GROUND LIGHTS TECHNICAL SPECIFICATION SHEET



**COLLINGWOOD
LIGHTING**

GL063



GL064



GL063 3 WAY LED MARKER LIGHT GL064 4 WAY LED MARKER LIGHT



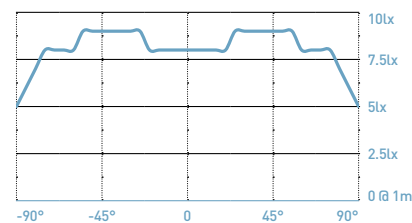
Features & Benefits

Cast stainless steel for aged effect

Raised profile sending light in three or four directions

PHOTOMETRICS @ 25°C

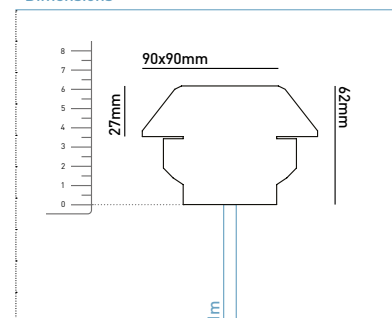
Colour	Product code	Beam angle	Wattage	Life of LED	CRI	lm	lm/W	lx (1m)
WW / 3000K	GL063	N/A	4W	L70, B10 70,000hrs	>80Ra	45	11	9
	GL064		5W	65		13	9	



GENERAL

Bathroom zone	1
Construction material	Cast Stainless Steel (316)
Cut-out (mm)	55
Drive over / Walk over	No
Face temperature when lit (°C)	37
IP rating	67
Maximum ambient temperature (ta = °C)	35
Rotation angle (°)	N/A
SELV (separated extra low voltage) driver	N/A (refer to LED DRIVERS section below)
Tilt angle (°)	N/A
Weight (kg)	1.1

Dimensions



WIRING

Cable/flying lead (m)	1 (H05RN-F) rubberised cable (outside diameter: 6mm)
Type of wiring required	Series

Energy efficiency rating

COLLINGWOOD LIGHTING

This luminaire contains built-in LED lamps.

A++
A+
A
B
C
D
E
F

LED

The lamps cannot be changed in the luminaire.

874/2012

ACCESSORIES

Product code	Description
JB2 / JB4 / JB6	IP68 waterproof connectors
TUBE/68	Installation tube
WCR 275 BLACK	2-Core rubber cable

WARRANTY

7 year extended warranty available



3 SDCM
Colour consistency
between sources

GROUND LIGHTS TECHNICAL SPECIFICATION SHEET



Also available in RGBW



**COLLINGWOOD
LIGHTING**



GL090 7W LED GROUND LIGHT

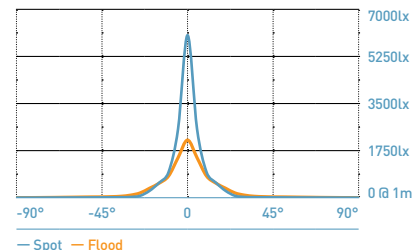


Features & Benefits

- Equivalent to 35W Halogen & 35W AR111
- Robust cable for outdoor use

PHOTOMETRICS @ 25°C

Colour	Product code	Beam angle	Wattage	Life of LED	CRI	lm	lm/W	lx (1m)
NW / 4000K	GL090 F NW	20°	7W	L70, B10 70,000hrs	>70Ra	310	44	1800
	GL090 S NW	12°				310	44	6000
WW / 3000K	GL090 F WW	20°			>80Ra	246	35	1529
	GL090 S WW	12°				304	43	5820
BL	GL090 F BL	20°			N/A	43	6	37
	GL090 S BL	12°				N/A		

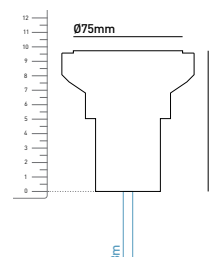


— Spot — Flood

GENERAL

Bathroom zone	0
Construction material	Stainless Steel [316]
Cut-out (mm)	65
Drive over / Walk over	Walk over (5mm toughened glass)
Face temperature when lit (°C)	34
IP rating	68 (submersible to 9m)
Maximum ambient temperature (ta = °C)	35
Rotation angle (°)	N/A
SELV (separated extra low voltage) driver	N/A (refer to LED DRIVERS section below)
Weight (g)	800

Dimensions



WIRING

Cable/flying lead (m)	3 (H05RN-F) rubberised cable (outside diameter: 6mm)
Type of wiring required	Series

LED DRIVERS

Bathroom zone applicable to fitting only

Product code	mA	SELV	Dimming	Bathroom zone	Min	Max
PLU/700 3-9	700	Yes	No	1	1	3
PL/IP/700 1-3			No	0	1	1
PLD UNI-DRIVE 700MA			Yes (1-10V)	2	1	3

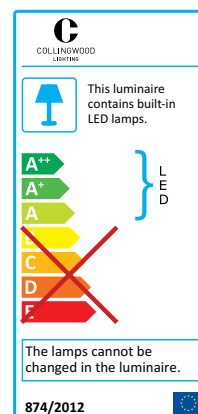
ACCESSORIES

Product code	Description
JB2 / JB4 / JB6	IP68 waterproof connectors
TUBE/68	Installation tube
WCR 275 BLACK	2-Core rubber cable

WARRANTY

7 year extended warranty available

Energy efficiency rating



SPIKE LIGHTS TECHNICAL SPECIFICATION SHEET



COLLINGWOOD
LIGHTING



Patent information:
collingwoodlighting.com/patent

SL220A MAINS STRAIGHT TO MAINS LED SPIKE LIGHT

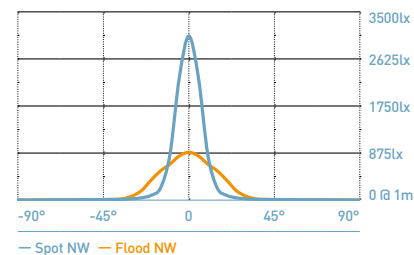


Features & Benefits

- Equivalent to 20W halogen
- Robust cable for outdoor use
- Straight to mains

PHOTOMETRICS @ 25°C

Colour	Product code	Beam angle	Wattage	Life of LED	CRI	lm	lm/W	lx (1m)
NW / 4000K	SL220A MAINS F NW	38°	3.6W	L70, B10 70,000hrs	>70Ra	243	68	887
	SL220A MAINS S NW	18°				276	77	3051
WW / 3000K	SL220A MAINS F WW	38°			>80Ra	180	50	420
	SL220A MAINS S WW	18°						1667



— Spot NW — Flood NW

GENERAL

Bathroom zone	2
Building regulations	N/A
Construction material	Anodised Aluminium
Cut-out (mm)	N/A
Face temperature when lit (°C)	40
Inrush current	9A 0.8ms
IP rating	65
Maximum ambient temperature (ta = °C)	35
Rotation angle (°)	N/A
SELV (separated extra low voltage) driver	Yes (Integral)
Tilt angle (°)	90
Weight (g)	700

WIRING

Cable/flying lead (m)	3 (H05RN-F) rubberised cable (outside diameter: 7mm)
Type of wiring required	Parallel (mains) 220-240V AC 50/60Hz

LED DRIVERS

Product code	mA	Dimming	Bathroom zone	Min	Max
N/A (LED driver built in)	N/A	No	N/A	N/A	N/A

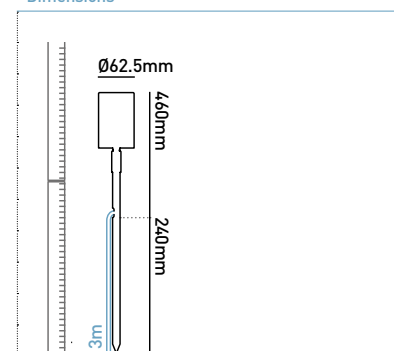
ACCESSORIES

Product code	Description
JB5	Gel filled waterproof connector

WARRANTY

3 year extended warranty available

Dimensions



Energy efficiency rating

