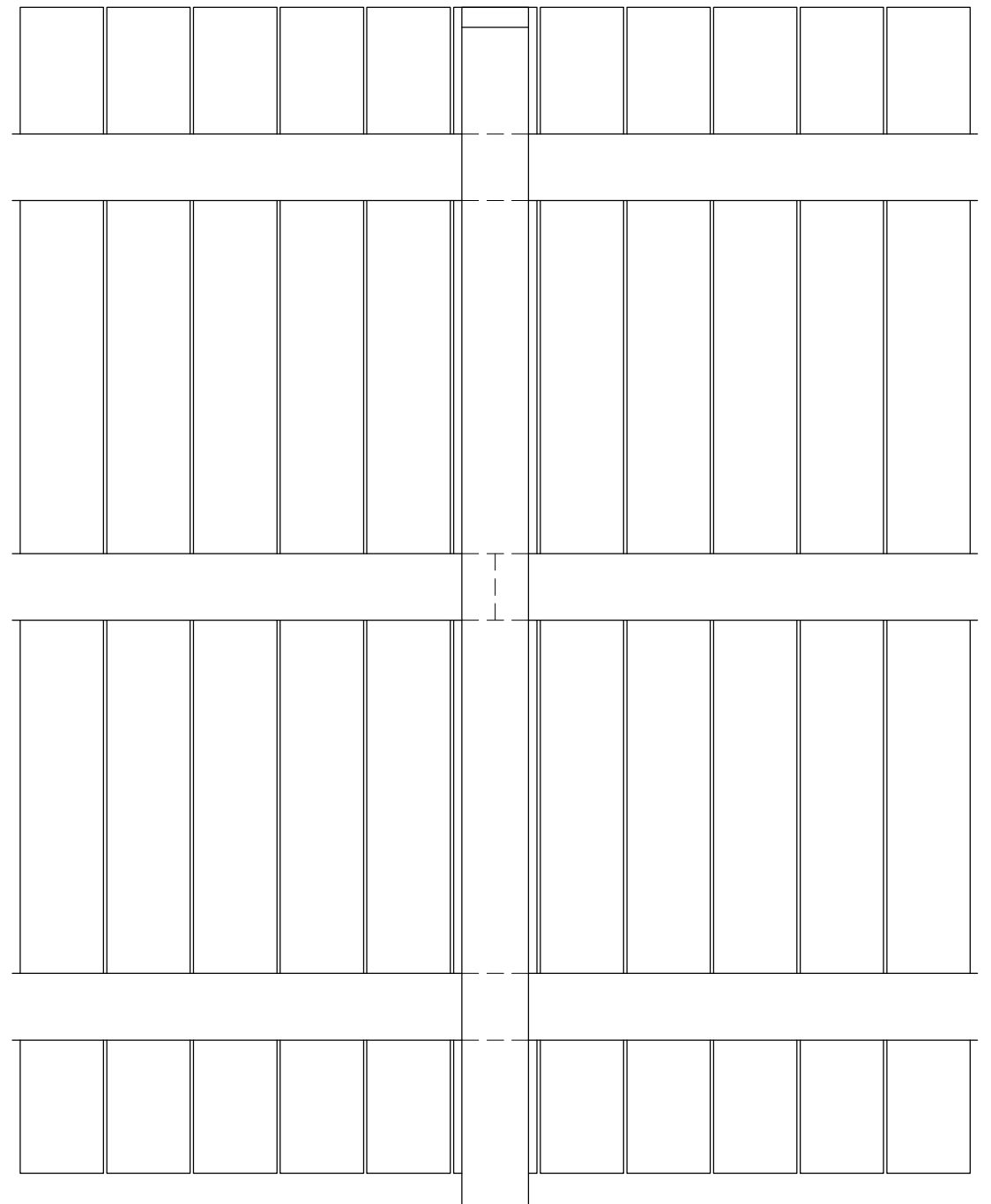
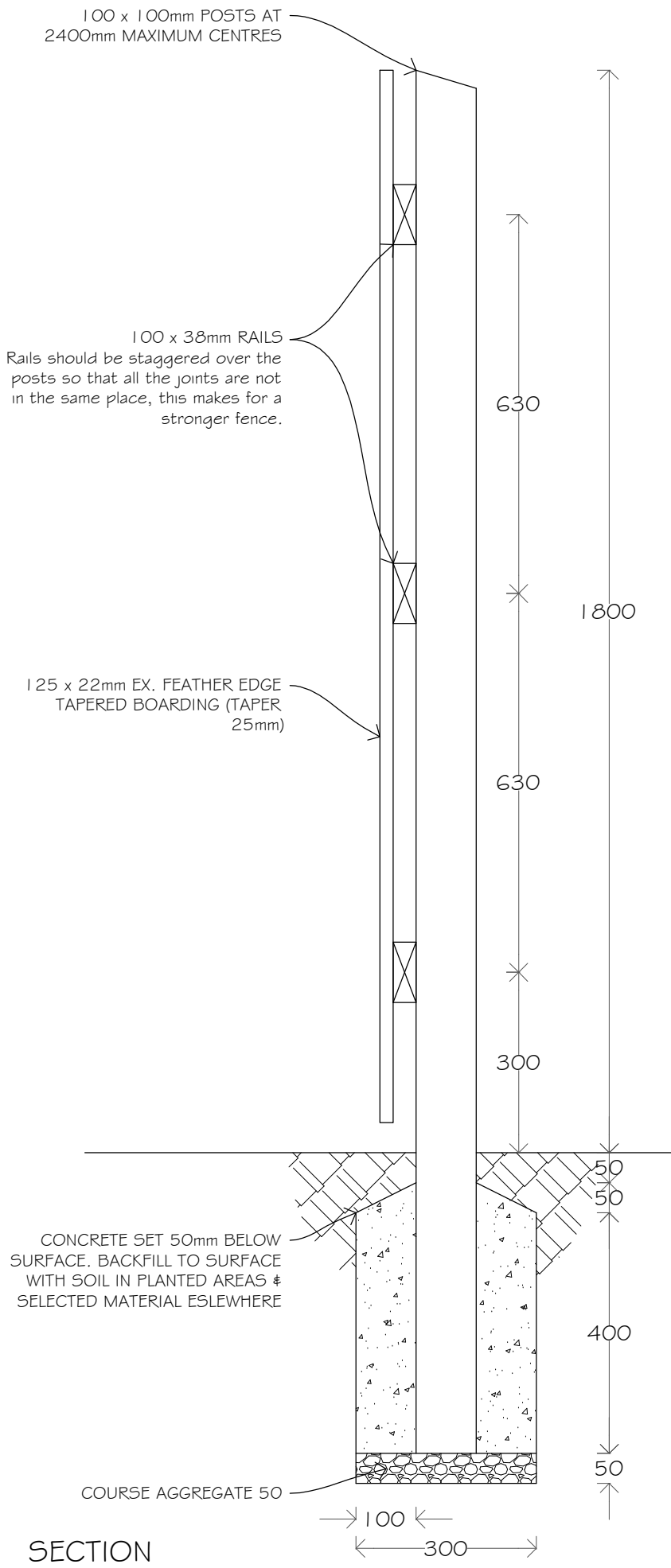


All levels and dimensions must be checked on site by contractor prior to commencement of works. Any variations must be reported to Millson Associates Ltd.

All information hereon is the copyright of Millson Associates Ltd. Copying in full or in part is forbidden without the written permission from Millson Associates Ltd.



23-Oct-13 REMARKS			
Chipping Homes LTD			
Client			
Date	JUNE 14	Status	INFO
Drawn	R.B	Checked	C.P
Scale	1:10	Size	A3
Rev.		Drawing Nr.	LS.03
Drawing Title			
1.8m CLOSE BOARDED FENCE			
Project Title			
BOUNDARY TREATMENT DETAILS			
Millson Associates UK North Office: Hyde Park House, Cartwright Street, Hyde, Cheshire SK14 4EH s 0161 367 2320 general@millsonassociates.co.uk www.millsonassociates.co.uk			



Design.Develop.Deliver.