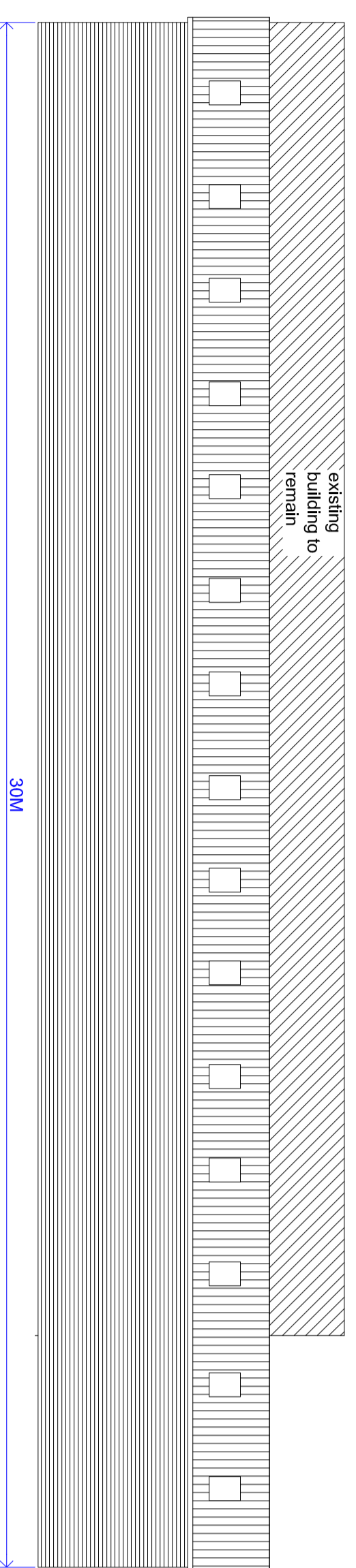
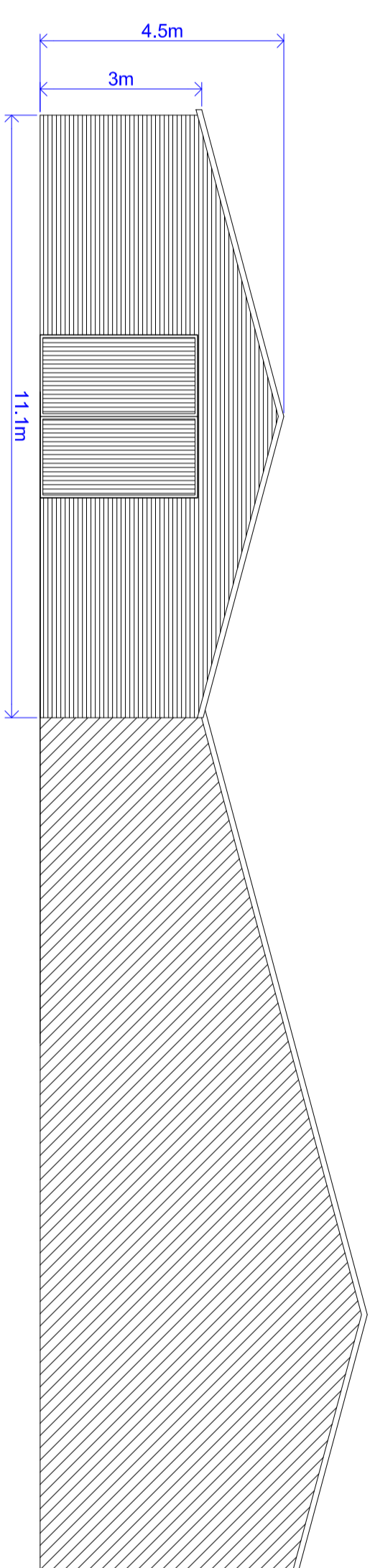


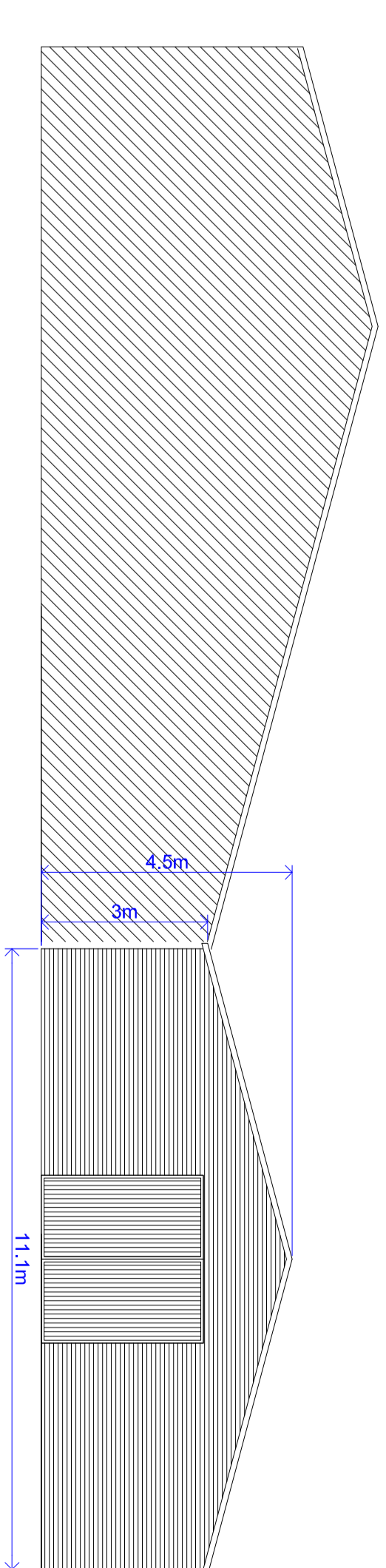
AS PROPOSED



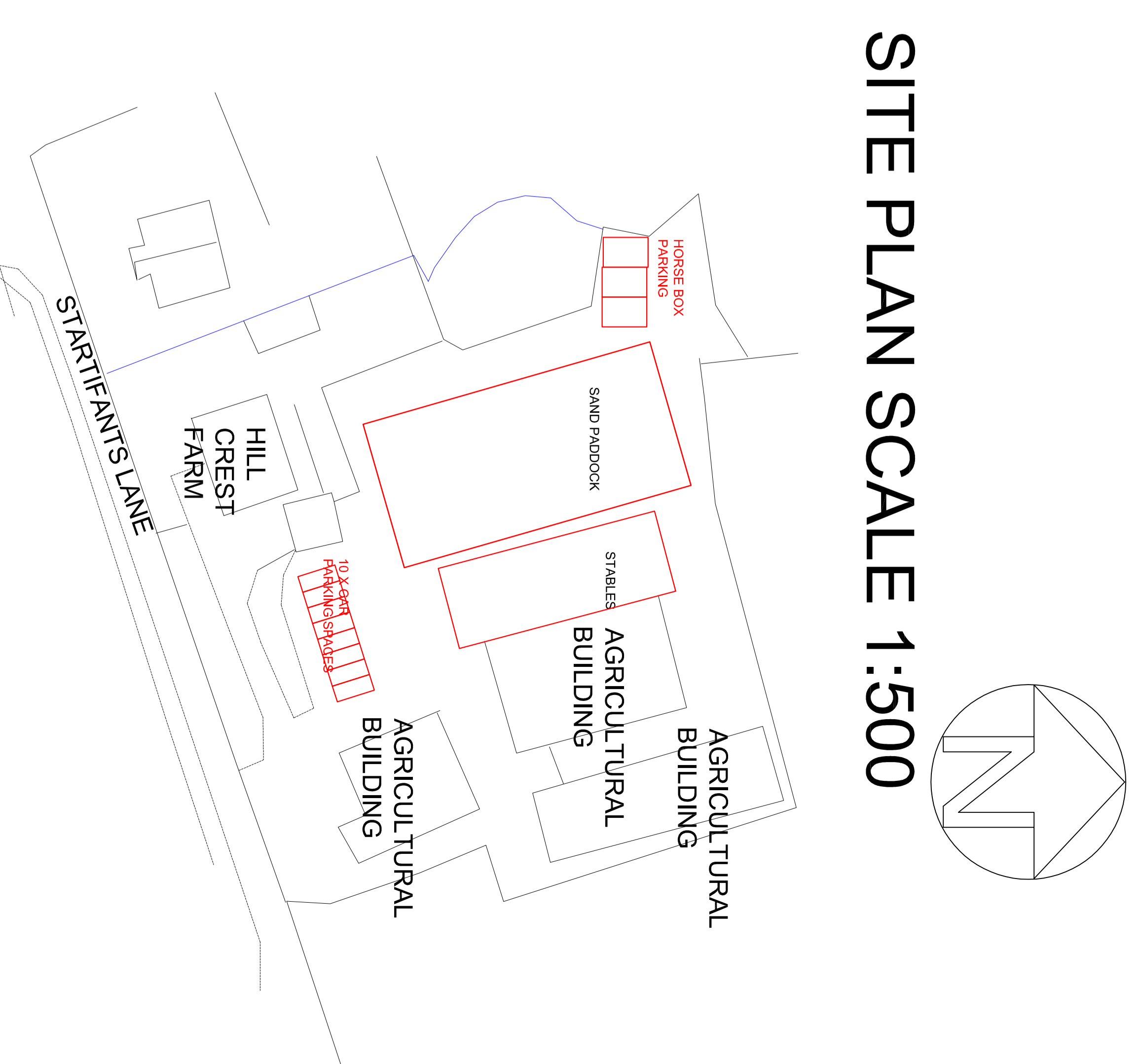
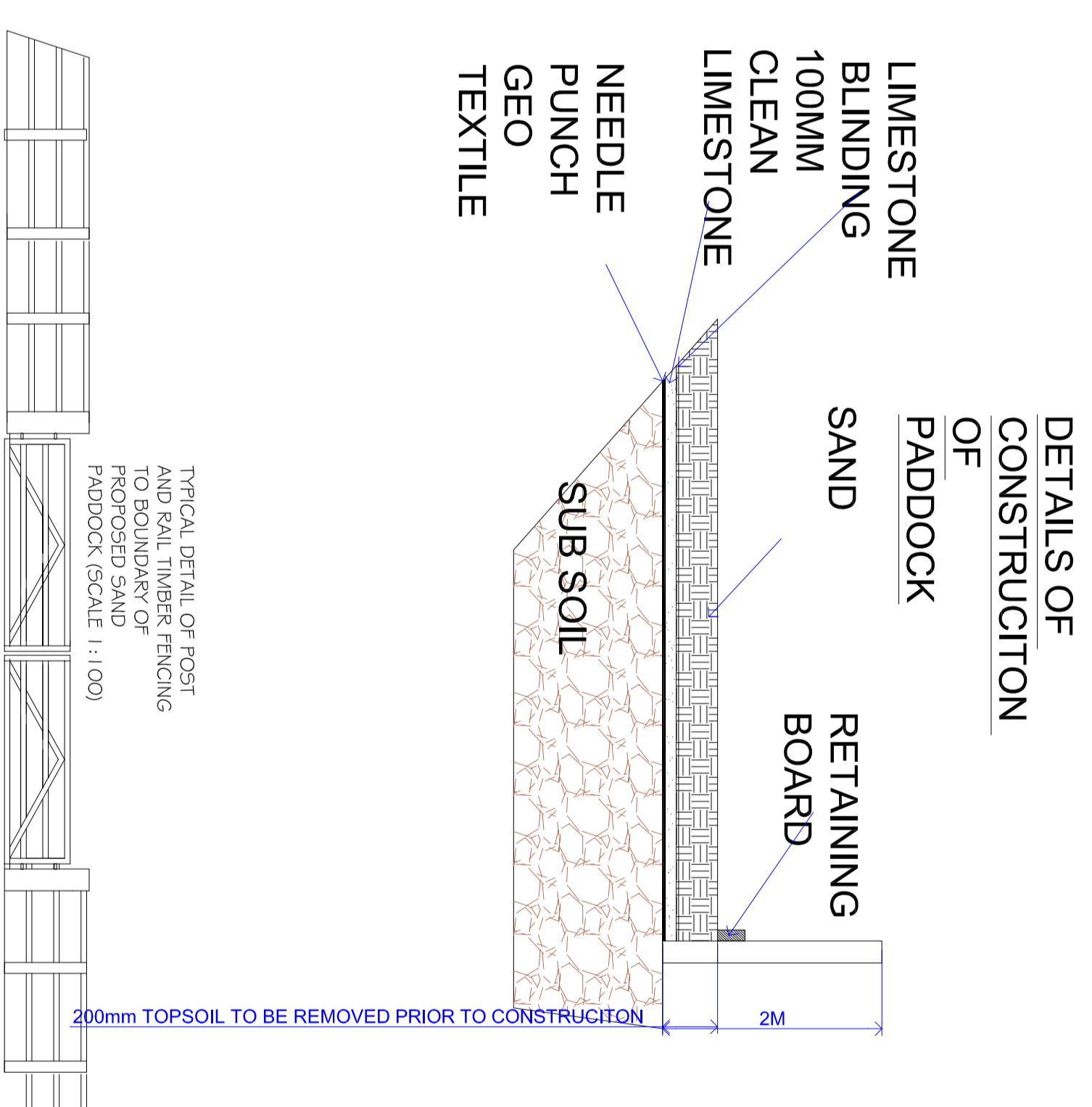
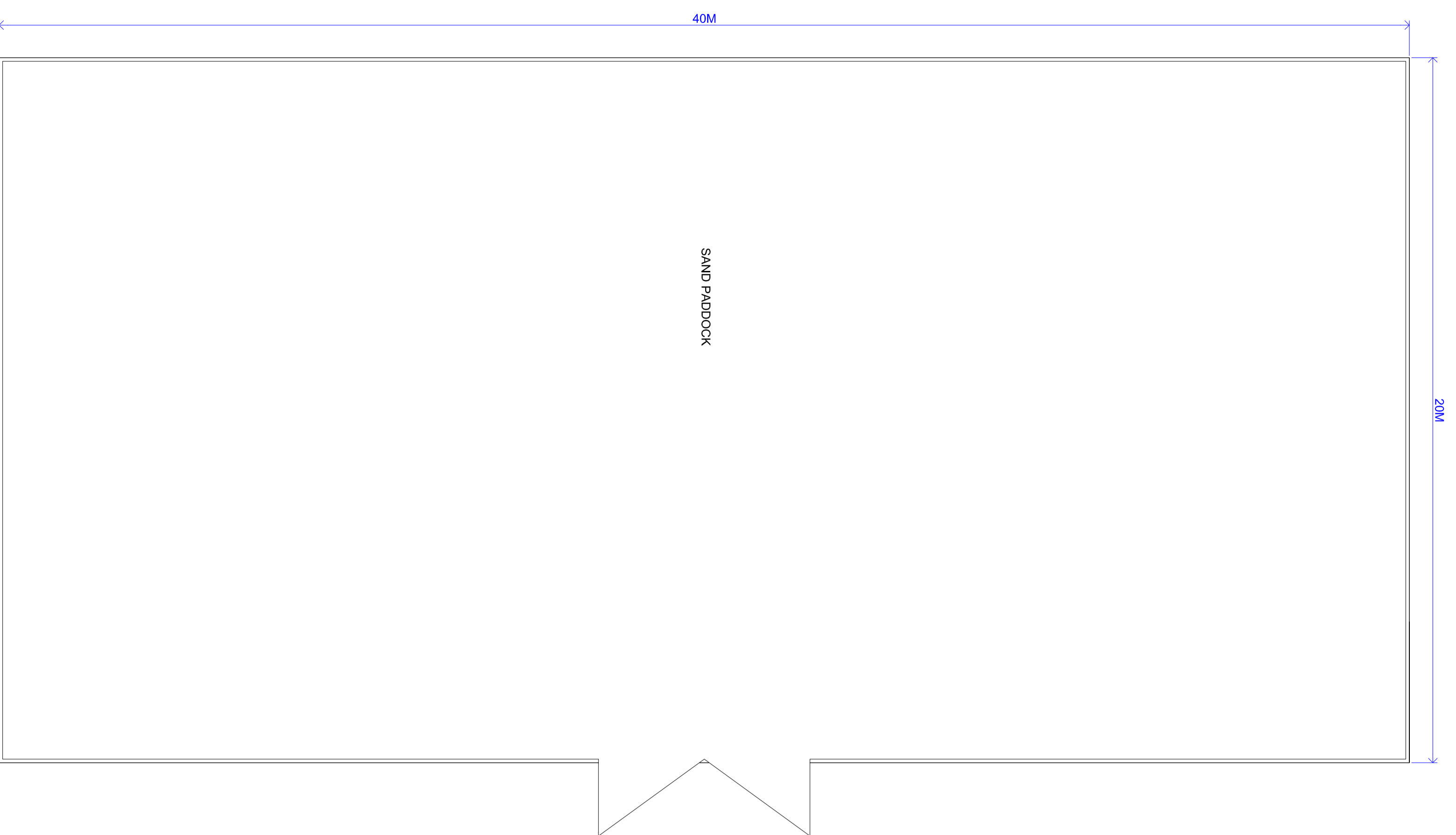
PROPOSED WEST FACING ELEVATION



SOUTH FACINGS ELEVATION



NORTH FACING ELEVATION



<p>Manning Consulting 320 2 Station Mill Gardens, Station Lane Hillcrest Farm, 1999 Road 13 Maple Ridge, British Columbia V2X 2Y4</p>	<p>CLIENT: MKS PTE PROJECT: AS PROPOSED CONCEPTUAL DESIGN AND CONSTRUCTION OF FEED AND WELFARE AREA FOR COMMERCIAL LIVESTOCK AND CHANGE OF USE OF LAND TO FORM SAND PADDOCK HILL CREST FARM, STARTIFANTS LANE, CHERRING, BRITISH COLUMBIA</p>	<p>DATE: 14 FEB 17 DWG NO: MKSPR5617 SCALE: 1:100 & 1:500 40</p>
------------------------------------------------------------------------------------------------------------------------------------------------------------------	-----------------------------------------------------------------------------------------------------------------------------------------------------------------------------------------------------------------------------------------------------------------------------------	--------------------------------------------------------------------------------------