

320170574P

Arboricultural Impact Assessment Overview

**In Relation to Proposed Demolition of Existing Property
and Construction of Detached Residential Property**



**Out Lane Head Farm, Chipping,
Lancashire, PR3 2NQ**

Prepared by:

Bowland 
Tree Consultancy Ltd

July 2017

ARBORICULTURAL IMPACT ASSESSMENT OVERVIEW OUT LANE HEAD FARM, CHIPPING

CONTENTS

1. TREE SURVEY SCHEDULE FOR ARBORICULTURAL IMPACT APPRAISAL & BS5837:2012 – TABLE 1
2. TEMPORARY PROTECTIVE FENCING SPECIFICATION
3. TREE CONSTRAINTS PLAN
4. DRAFT TREE PROTECTION PLAN

Contact Details

Bowland Tree Consultancy Ltd
First Floor
11 Cannon Street
Preston
Lancashire
PR1 3NR

T: 01772 437150
E: info@bowlandtreeconsultancy.co.uk

**ARBORICULTURAL IMPACT ASSESSMENT OVERVIEW
OUT LANE HEAD FARM, CHIPPING**

Control sheet

Project No.: BTC1379

Site: Out Lane Head Farm, Chipping, Lancashire, PR3 2NQ

Client's Agent: PWA Planning

Council: Lancashire County Council

Survey Date: 29 June 2017

Prepared by: Ryan Gledhill FdSc Arb

Checked by: Phill Harris MSc BSc(Hons) HND MArborA CEnv MICFor

Date of Issue: 3 July 2017

Version No: 1

TREE SURVEY SCHEDULE FOR ARBORICULTURAL IMPACT APPRAISAL OVERVIEW

Site: Out Lane Head Farm, Chipping, Lancashire, PR3 2NQ

Agent: PWA Planning

Surveyor: Ryan Gledhill FdSc Arb
 Survey Date: 29 June 2017
 Job Ref: BTC1379

No.	Species	Height	Stem Diam.	Branch Spread	Branch & Canopy Clearance	Life Stage	PC	General Observations and Comments	Management Recommendations	ERC	Cat. Grade	RPA Area (m ²)	RPA Radius (m)
T1	Sycamore	10	400	N 4 E 3 S 4 W 4	2.5-N 2.5	SM	G	<ul style="list-style-type: none"> Three partially occluded cavities at stem base to a width of approximately 150mm. Mallet test indicating extensive hollow lower stem up to a height of approximately 1.5m, evidently acclimatised with rapid adaptive growth to compensate. Moderate stem lean south from a height of approximately 2.5m due to suppression from T2. Small partially occluded pruning wound to stem at a height of approximately 3m. 	<ul style="list-style-type: none"> Retain. Protect Root Protection Area (RPA) throughout development using Temporary Protective Fencing (specification appended) to form a Construction Exclusion Zone (CEZ) – see draft Tree Protection Plan (TPP). 	10+	C1	72	4.8
T2	Common Ash	16	720	N 8 E 3 S 2 W 6	3-N 2	M	G	<ul style="list-style-type: none"> Stem bifurcates at a height of approximately 5m. Moderately biased canopy north. Moderate instances of deadwood to a diameter of approximately 100mm. 	<ul style="list-style-type: none"> Retain. Protect RPA throughout development using Temporary Protective Fencing (specification appended) to form a CEZ – see draft TPP. 	40+	A1	235	8.64
T3	Sycamore	12	680	N 6 E 3 S 3 W 6	4-N 1	M	M/G	<ul style="list-style-type: none"> Stem base has enveloped stone debris, subsequently raising the north side stem base approximately 1m higher than the south side ground level. Basal growth has spread onto the concrete farm access road. Several partially occluded pruning wounds to lift crown to a height of 4m. Slightly sparse upper crown showing signs of a lack of vitality. 	<ul style="list-style-type: none"> Retain. Protect RPA throughout development using Temporary Protective Fencing (specification appended) to form a CEZ – see draft TPP. 	10+	C1	209	8.16

Headlines and Abbreviations:

No. - Allocated sequential reference number - Tree (T), Group (G), Woodland (W) or Hedge (H) reference number - refer to plan and to numbered tags where applicable
 Species - Common name
 Height - where possible approximately 80% are measured using an electronic clinometer and the remainder estimated against the measured trees. In the case of Groups and Woodlands the measurement listed is that of the highest tree in metres, to nearest half metre - where possible approximately 80% are measured and calculated as per Annex C of BS5837:2012. MS = multi-stemmed, TS = twin-stemmed
 Stem Diameter - measured and calculated as per Annex C of BS5837:2012. MS = multi-stemmed, TS = twin-stemmed
 Crown Radius - measured (or estimated where considered appropriate) from the four cardinal points (north, east, south and west) to give an accurate visual representation of the crown
 Existing Height (above ground level), in metres, of first significant branch and direction of growth (e.g. 2.5-N) and of canopy at lowest point - to inform on crown to height ratio, potential for shading, etc.
 Estimator age class - Y = young, SM = semi-mature, EM = early-mature, M = mature, PM = post-mature
 Physiological Condition - a measure of the tree's overall vitality. L.D = Dead, M.D = Midland, P = Poor, M = Moderate, G = Good
 Comments relating to the tree's overall condition and any other pertinent factors including structural defects, current and potential direct structural damage, physiological decline, poor form, etc.
 Surveys take the proposed development into consideration with recommendations made accordingly. More than one option may be given if considered appropriate
 Estimated Remaining Contribution - In years as per BS5837:2012 (i.e. <10, 10+, 20+, 40+)
 Category Grading - tree retention value listed as U, A, B or C - in accordance with BS5837:2012 Table 1
 Root Protection Area in m², calculated area around the tree that must be appropriately protected throughout the development process in order to avoid root damage
 Root Protection Area Radius - in metres measured from the centre of the stem to the line of tree protection
 Where trees are located off-site, or are inaccessible for any other reason, and accurate measurements or other information cannot be taken then the information provided is estimated and is duly suffixed with a 'W' symbol



BS5837:2012 Table 1 – Cascade Chart for Tree Quality Assessment

Category and definition	Criteria (including subcategories where appropriate)	Identification on plan
<p>Trees unsuitable for retention (see Note)</p> <p>Category U</p> <p>Those in such a condition that they cannot realistically be retained as living trees in the context of the current land use for longer than 10 years</p>	<p>Trees that have a serious, irremediable, structural defect, such that their early loss is expected due to collapse, including those that will become unviable after removal of other category U trees (e.g. where, for whatever reason, the loss of companion shelter cannot be mitigated by pruning)</p> <ul style="list-style-type: none"> Trees that are dead or are showing signs of significant, immediate, and irreversible overall decline Trees infected with pathogens of significance to the health and/or safety of other trees nearby, or very low quality trees suppressing adjacent trees of better quality <p>Note: <i>Category U trees can have existing or potential conservation value which it might be desirable to preserve; see BS5837:2012 paragraph 4.5.7.</i></p>	Red
	<p>1. Mainly arboricultural qualities</p> <p>Trees that are particularly good examples of their species, especially if rare or unusual; or those that are essential components of groups or formal or semi-formal arboricultural features (e.g. the dominant and/or principal trees within an avenue)</p>	
	<p>2. Mainly landscape qualities</p> <p>Trees, groups or woodlands of particular visual importance as arboricultural and/or landscape features</p>	Green
	<p>3. Mainly cultural values, including conservation</p> <p>Trees, groups or woodlands of significant conservation, historical, commemorative or other value (e.g. veteran trees or wood-pasture)</p>	Blue
<p>Trees to be considered for retention</p> <p>Category A</p> <p>Trees of high quality with an estimated remaining life expectancy of at least 40 years</p>	<p>Trees that might be included in the high category, but are downgraded because of impaired condition. Examples include the presence of remediable defects including unsympathetic past management and minor storm damage</p>	
<p>Category B</p> <p>Those of moderate quality and value: those in such a condition as to make a significant contribution. A minimum of 20 years is suggested.</p>	<p>Trees present in numbers, usually as groups or woodlands, so they form distinct landscape features which attract a higher collective rating than they might as individuals. But which are not, individually, essential components of formal or semi-formal arboricultural features. For example, trees of moderate quality within an avenue that includes better, A category specimens. Or trees which are internal to the site, therefore individually having little visual impact on the wider locality</p>	
<p>Category C</p> <p>Those trees of low quality and value: currently in adequate condition to remain until new planting could be established - a minimum of 10 years is suggested - or young trees with a stem diameter below 150 mm</p>	<p>Trees not qualifying in higher categories</p> <p>Note – Whilst C category trees will usually not be retained where they would impose a significant constraint on development, young trees with a stem diameter of less than 150mm should be considered for relocation</p>	Grey

DISCLAIMER

Survey Limitations: Unless otherwise stated all trees are surveyed from ground level using non-invasive techniques. The disclosure of hidden crown and stem defects, in particular where they may be above a reachable height or where trees are ivy clad or in areas of ground vegetation, cannot therefore be expected. All obvious defects, however, are reported. Detailed tree safety appraisals are only carried out under specific written instructions. Comments upon evident tree safety relate to the condition of said tree at the time of the survey only.

Unless otherwise stated all trees should be re-inspected annually in order to appraise their on-going mechanical integrity and physiological condition. It should, however, be recognised that tree condition is subject to change, for example due to the effects of disease, decay, high winds, development works, etc. Changes in land use or site conditions (e.g. development that increases access frequency) and the occurrence of severe weather incidents are also significant considerations with regards tree structural integrity and trees should therefore be re-assessed in the context of such changes and/or incidents and inspected at intervals relative to identified and varying site conditions and associated risks.

Where trees are located wholly or partially on neighbouring private third-party land then said land is not accessed and our inspection is therefore restricted to what can reasonably be seen from within the site. Stem diameters of trees located on such land are estimated. Any subsequent comments and judgments made in respect of such trees are based on these restrictions and are our preliminary opinion only. Recommendations for works to neighbouring third-party trees are only made where a potentially unacceptable risk to persons and/or property has been identified during our survey. Where significant structural defects of third-party trees are identified and associated management works are considered essential to negate any risk of harm and/or damage then we will first attempt to inform the site occupier of the issues and, if not possible, then inform the relevant Council. Where a more detailed assessment is considered necessary then appropriate recommendations are set out in the Tree Survey Schedule.

Where tree stem locations are not included on the plan(s) provided then they are plotted at the time of the survey using, where appropriate and/or practicable, a combination of measurement triangulation and GPS co-ordination. Where this is not possible then locations are estimated. Restrictions in these respects are detailed in the report.

The tree survey and any report information provided is intended as a guide to identify key tree related constraints to site development only. As such, the potential influence of trees upon existing or proposed buildings or other structures resulting from the effects of their roots abstracting water from shrinkable load-bearing soils is not considered herein. The tree survey information in its current form should not therefore be considered sufficient to determine appropriate foundation depths for new buildings. Accordingly, an updated survey, with reference to the current NHBC Standards Chapter 4.2 - Building Near Trees, must therefore be prepared for the specific purpose of informing suitable foundation depths subsequent to planning approval being granted. The advice of a structural engineer must also be sought with regard to appropriate foundation depths for new buildings.

Copyright & Non-Disclosure Notice: The content and layout of this report are subject to copyright owned by Bowland Tree Consultancy Ltd, save to the extent that copyright has been legally assigned to us by another party or is used by Bowland Tree Consultancy Ltd under license. This report may not be copied or used without our prior written agreement for any purpose other than those indicated.

Third Parties: Any disclosure of this document to a third party is subject to this disclaimer. The report was prepared by Bowland Tree Consultancy Ltd at the instruction of and for use by our client, as named. This report does not in any way constitute advice to any third party who is able to access it by any means. Bowland Tree Consultancy Ltd excludes to the fullest extent lawfully permitted all liability whatsoever for any loss or damage arising from reliance on the contents of this report.

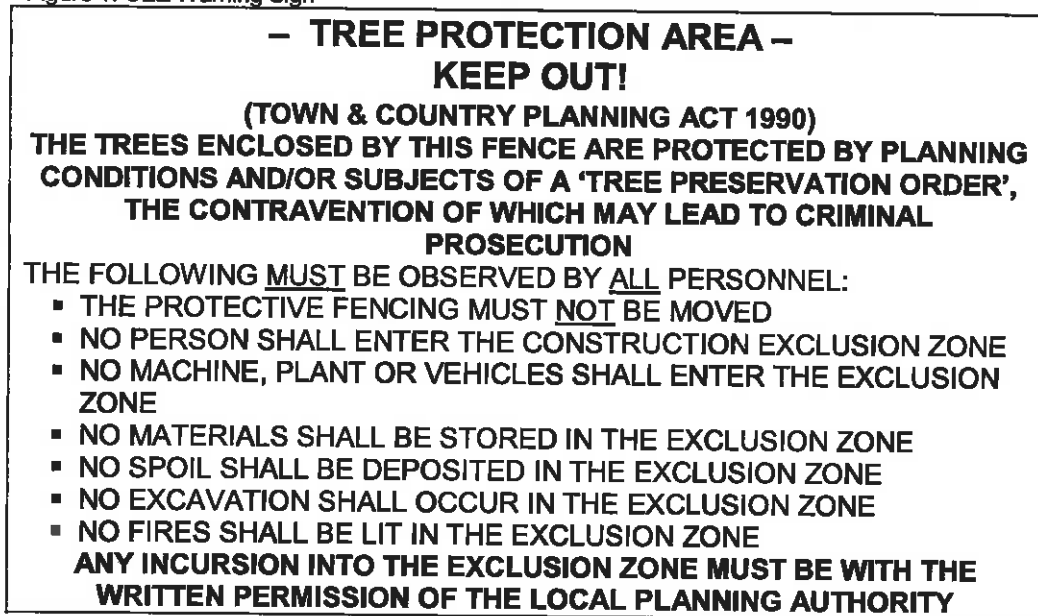
- TEMPORARY PROTECTIVE FENCING & GROUND PROTECTION SPECIFICATION -

Construction Exclusion Zones (CEZs), shall be enclosed by **Temporary Protective Fencing** and/or, where necessary, **Temporary Ground Protection Measures**. The fencing/ground protection Type(s), locations, and extents shall be agreed, in writing, with the Local Planning Authority (LPA). In turn, the **Temporary Protective Fencing** and/or **Temporary Ground Protection Measures** shall:

1. be constructed as in accordance with the Type 1, Type 2 or Type 3 'Temporary Protective Fencing Construction' sections and, where applicable the 'Temporary Ground Protection Measures' section, as detailed herein and agreed, in advance with the LPA;
1. be retained in place throughout the development process until completion of the project, and only removed following receipt of written permission from the LPA;
2. be sited in the area(s) defined by the Root Protection Areas on the associated Tree Impact Plan, or as the CEZs on the Tree Protection Plan;
3. be erected prior to any construction, demolition or excavation works and remain in place for the duration of the project;
4. preclude any delivery of site accommodation and/or materials and/or plant machinery;
5. preclude all construction related activity, with the sole exception of specified arboricultural works and any other works to be carried out under supervision that have been agreed by all parties;
6. preclude the storage of all development related materials and substances including fuels, oils, additives, cement and/or any other deleterious substance; and
7. be affixed with a 600mm x 300mm warning sign reading "TREE PROTECTION AREA KEEP OUT" (see Figure 1, below), at every 10.0 metre length of protective fencing.

Important: Any incursion into CEZs must be by prior arrangement, following consultation with the LPA.

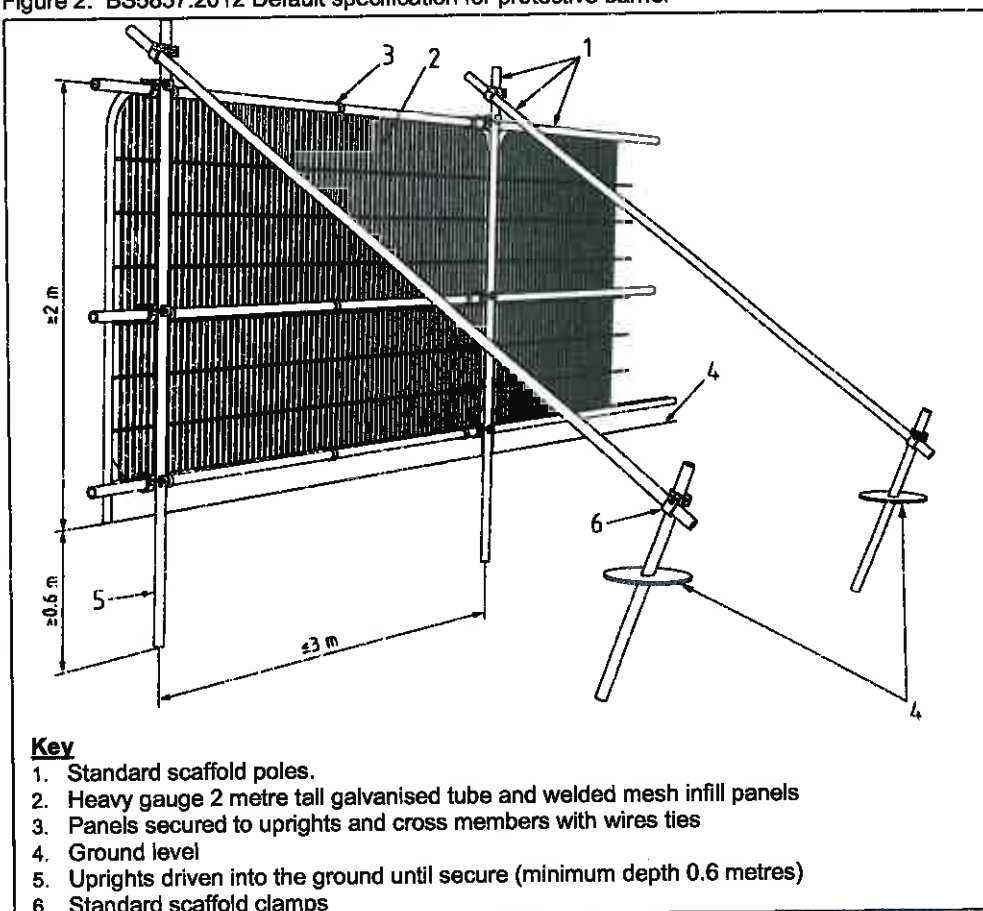
Figure 1: CEZ Warning Sign



Type 1 (i.e. 'Default') Temporary Protective Fencing Construction (see Figure 2, below)

1. Temporary protective fencing panels shall be weldmesh "Heras" panels of at least 2.0 metres in height.
2. The panels shall butt together and be securely fixed to a scaffold framework, as per points 3 to 5 of Figure 2, overleaf.
3. The scaffold framework shall comprise of upright poles of at least 3.0 metres in length driven no less than 0.6 metres into the ground at maximum 3.0 metre centres with horizontal and diagonal poles fixed to the uprights, as per points 4 to 5.
4. The two horizontal rail poles shall be attached to the uprights at heights of 0.6 and 1.8 metres with 3 no. clamps to each joint.
5. The diagonal scaffold pole struts be clamped to the top rail of the scaffold framework at a 45° angle and extend back into the CEZ and clamped to a 0.7 metre length of scaffold tube that shall be driven no less than 0.5m into the ground.
6. No fixing shall be made to any tree and all possible precautions shall be taken to prevent damage to tree roots when locating posts.
7. A 600mm x 300mm warning sign reading "TREE PROTECTION AREA KEEP OUT" (see Figure 1) shall be fixed to every 10.0 metre length of protective fencing.
8. On completion of erection, and prior to any demolition or construction works, site preparation, excavation or delivery of plant and materials, the Consulting Arboriculturist or the LPA Tree Officer, as agreed, shall inspect the Temporary Protective Fencing.

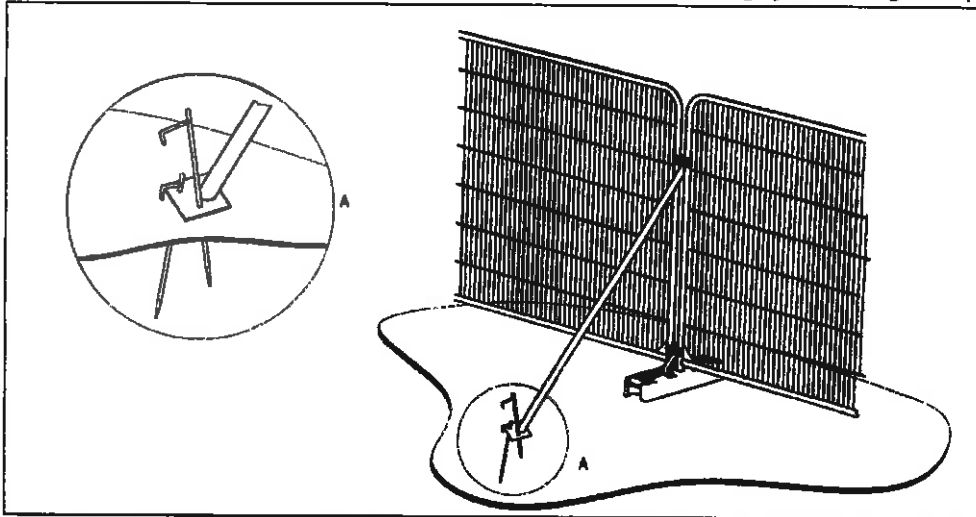
Figure 2: BS5837:2012 Default specification for protective barrier



Type 2 Temporary Protective Fencing Construction (see Figure 3(a), below)

1. Temporary protective fencing panels shall be weldmesh "Heras" panels of at least 2.0 metres in height.
2. The panels shall stand on rubber or concrete feet.
3. The panels shall butt together, and be joined together using a minimum of two anti-tamper couplers, installed so that they can only be removed from inside the fence.
4. The distance between the fence couplers shall be at least 1.0 metre, and shall be uniform throughout the fence.
5. The panels shall be supported on the inner side by stabiliser struts, which shall be clamped to the scaffold framework at a 45° angle and extend back into the CEZ and shall be attached to a base plate, which shall be secured to the ground with pins (Figure 3a).
6. No fixing shall be made to any tree and all possible precautions shall be taken to prevent damage to tree roots when locating posts.
7. A 600mm x 300mm warning sign reading "TREE PROTECTION AREA KEEP OUT" (see Figure 1) shall be fixed to every 10.0 metre length of protective fencing.
8. On completion of erection, and prior to any demolition or construction works, site preparation, excavation or delivery of plant and materials, the Consulting Arboriculturist or the LPA Tree Officer, as agreed, shall inspect the Temporary Protective Fencing.

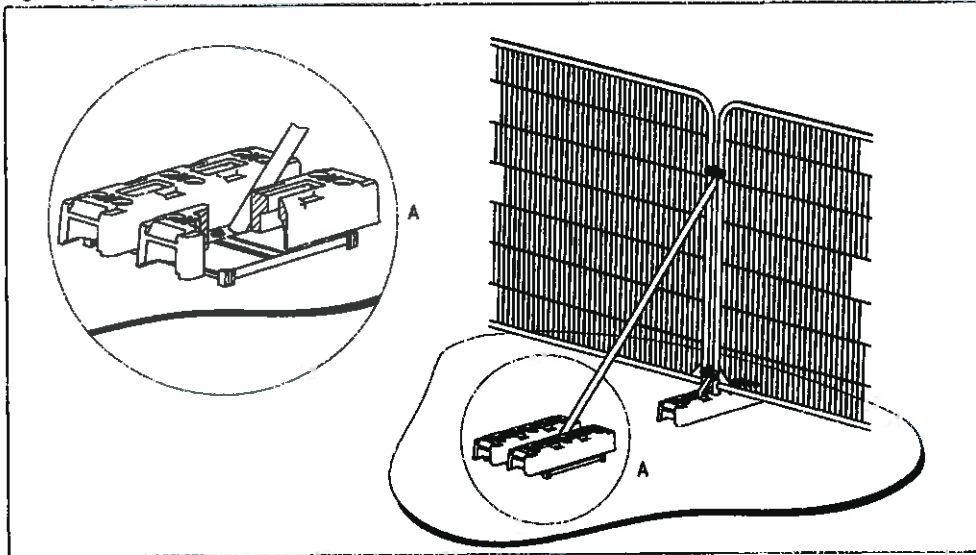
Figure 3(a): Type 2 Fencing (BS5837:2012 above-ground strut stabilising system with ground pins)



Type 3 Temporary Protective Fencing Construction (see Figure 3(b), overleaf)

1. Temporary protective fencing panels shall be weldmesh "Heras" panels of at least 2.0 metres in height.
2. The panels shall stand on rubber or concrete feet.
3. The panels shall butt together, and be joined together using a minimum of two anti-tamper couplers, installed so that they can only be removed from inside the fence.
4. The distance between the fence couplers shall be at least 1.0 metre, and shall be uniform throughout the fence.
5. The panels shall be supported on the inner side by stabiliser struts, which shall be clamped to the scaffold framework at a 45° angle and extend back into the CEZ and shall be attached to a block tray base (Figure 3b).
6. No fixing shall be made to any tree and all possible precautions shall be taken to prevent damage to tree roots when locating posts.
7. A 600mm x 300mm warning sign reading "TREE PROTECTION AREA KEEP OUT" (see Figure 1) shall be fixed to every 10.0 metre length of protective fencing.
8. On completion of erection, and prior to any demolition or construction works, site preparation, excavation or delivery of plant and materials, the Consulting Arboriculturist or the LPA Tree Officer, as agreed, shall inspect the Temporary Protective Fencing.

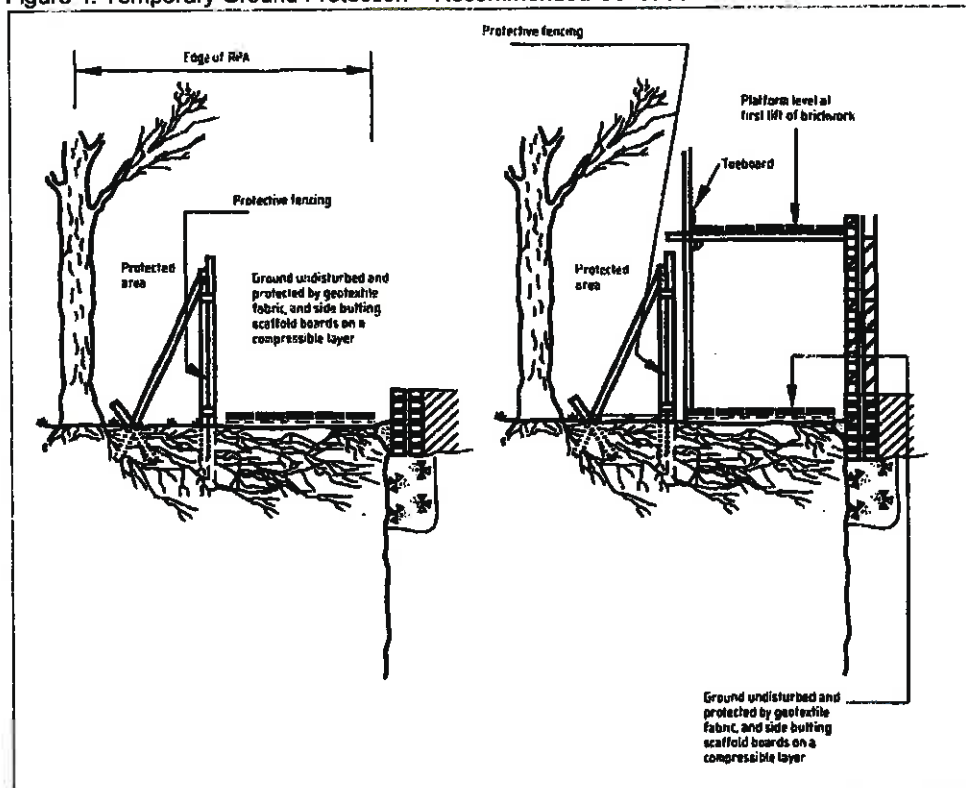
Figure 3(b): Type 3 Fencing (BS5837:2012 above-ground stabilising system with strut on block tray)



Temporary Ground Protection

2. Any necessary Temporary Ground Protection areas shall conform to Figure 4, below, unless otherwise agreed with the LPA.
3. The Ground Protection Area shall be left undisturbed and covered by a semi-permeable geotextile membrane which shall, in turn, be covered by a compressible layer consisting of a material such as woodchip.
4. Side-butting scaffold boards shall then be fitted to cover the Ground Protection Area.
5. On completion of installation, and prior to any demolition or construction works, site preparation, excavation or delivery of plant and materials, the Consulting Arboriculturist or the LPA Tree Officer, as agreed, shall inspect the Temporary Ground Protection.
6. The Temporary Ground Protection shall remain in place until completion of the project and only removed following receipt of written permission from the LPA.

Figure 4: Temporary Ground Protection – Recommended Construction



KEY

T = Individual Tree

Please refer to attached Tree Survey Schedule for specific details in respect of items below:

Tree Categories/Status:

Those to be Considered for Retention:

- Category 'A' Tree
Trees of High Quality with an Estimated Remaining Life Expectancy of at Least 40 Years
- Category 'B' Tree
Trees of Moderate Quality with an Estimated Remaining Life Expectancy of at Least 20 Years
- Category 'C' Tree
Trees of Low Quality with an Estimated Remaining Life Expectancy of at Least 10 Years or More

Those Considered Unsuitable for Retention:

- Category 'U' Tree
Trees in Such a Condition that they cannot be Retained or Protected as Living Trees in the Current Land Use for a Long Term 10 Years

Special Protection Areas (SPAs)

- RPA's
Areas of Special Interest Areas that should be Protected from Development Works with Potential for Adverse Impacts on the SPA in order to have a Conservation Extension Zone

Project:
OUT LANE HEAD FARM
CHIPPING
LANCASHIRE
PR3 2NQ

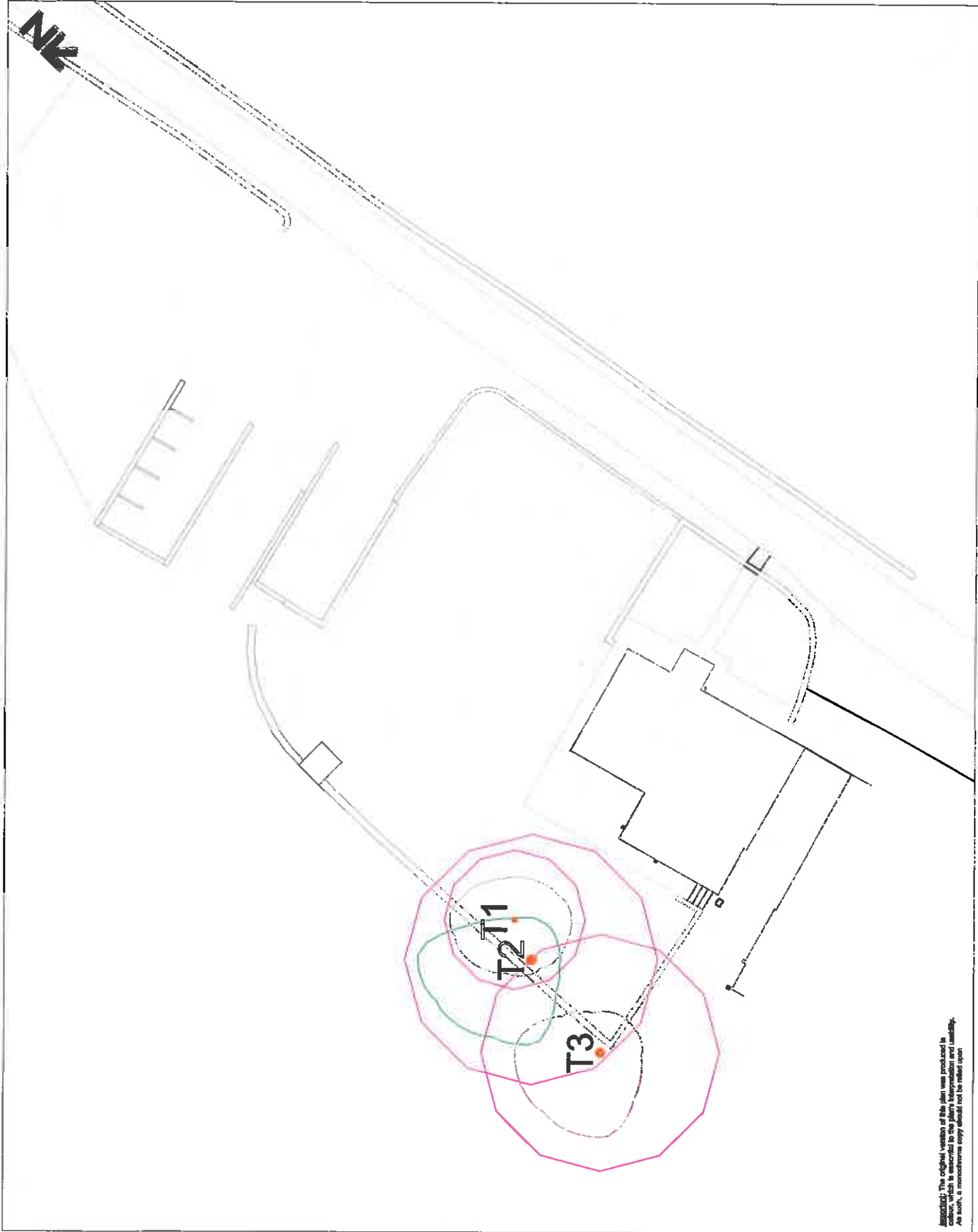
Agent for Client:
PWA PLANNING

Title:
TREE CONSTRAINTS PLAN
In Relation to the Proposed Location of Substation House and Development of the Electrical Substation Property

Scale: 1:250@A3
Date: June 2017
Drawn by: RG
Checked by: PH



File: BFC-078-1-CP Rev: 1



Disclaimer: The original version of this plan was produced in accordance with the Tree Survey Schedule for specific details in respect of items below. As such, a manufacturer's copy will not be held open.



KEY

T = Individual Tree

Please refer to Schedule of Tree Survey Schedule for specific details in respect of trees shown.

Tree Categories

Trees to be Considered for Retention

Category A Tree
Trees of high canopy cover or unusual form which are considered to be of high value.

Category B Tree
Trees of medium canopy cover or unusual form which are considered to be of medium value.

Category C Tree
Trees of low canopy cover and/or unusual form which are considered to be of low value.

Proposed Development in Retention

Category A Tree
Trees of high canopy cover or unusual form which are considered to be of high value.

Category B Tree
Trees of medium canopy cover or unusual form which are considered to be of medium value.

Category C Tree
Trees of low canopy cover and/or unusual form which are considered to be of low value.

Proposed Development in Retention

Category A Tree
Trees of high canopy cover or unusual form which are considered to be of high value.

Category B Tree
Trees of medium canopy cover or unusual form which are considered to be of medium value.

Category C Tree
Trees of low canopy cover and/or unusual form which are considered to be of low value.

Proposed Development in Retention

Category A Tree
Trees of high canopy cover or unusual form which are considered to be of high value.

Category B Tree
Trees of medium canopy cover or unusual form which are considered to be of medium value.

Category C Tree
Trees of low canopy cover and/or unusual form which are considered to be of low value.

Proposed Development in Retention

Category A Tree
Trees of high canopy cover or unusual form which are considered to be of high value.

Category B Tree
Trees of medium canopy cover or unusual form which are considered to be of medium value.

Category C Tree
Trees of low canopy cover and/or unusual form which are considered to be of low value.

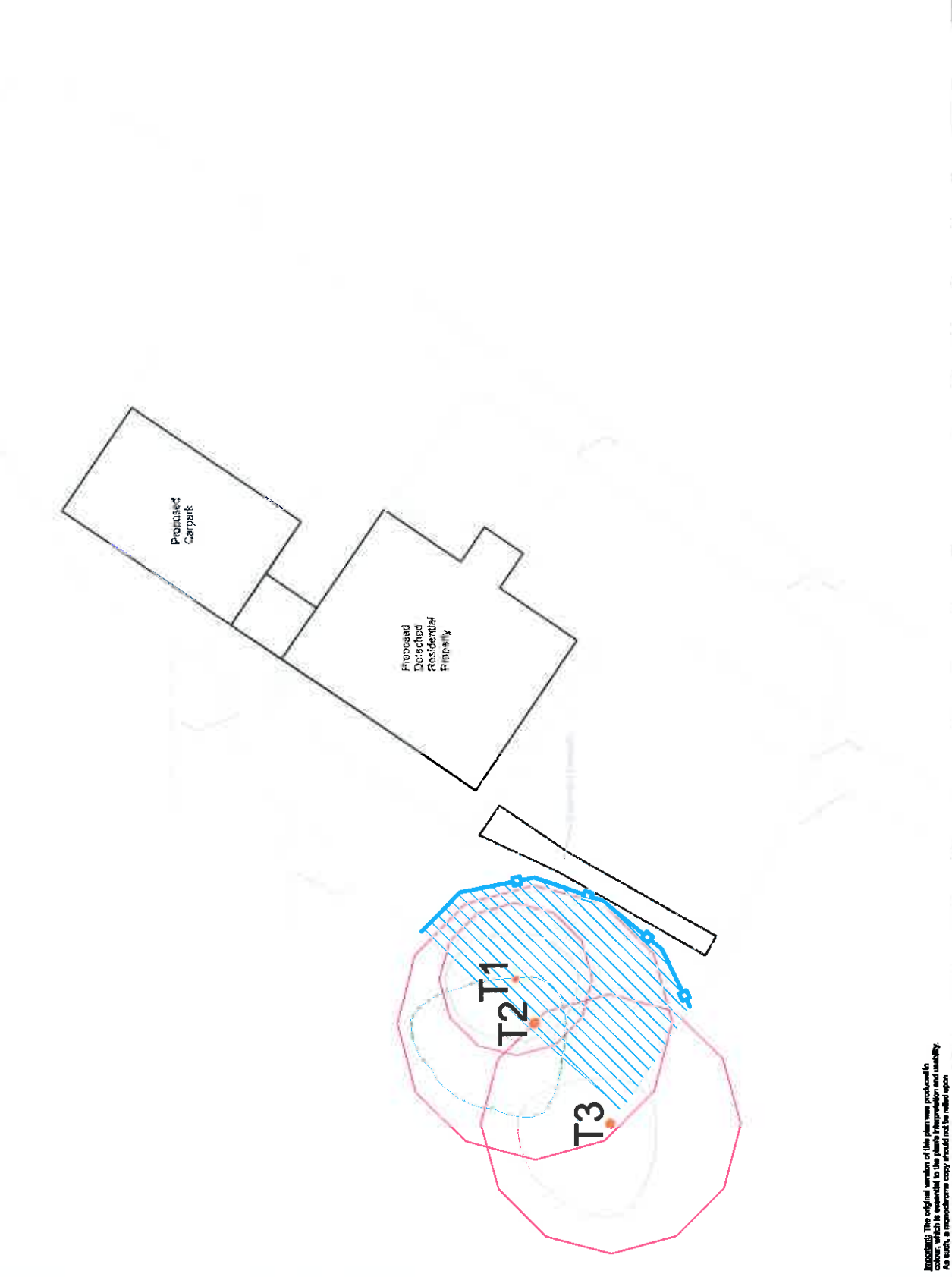
Proposed Development in Retention

Category A Tree
Trees of high canopy cover or unusual form which are considered to be of high value.

Category B Tree
Trees of medium canopy cover or unusual form which are considered to be of medium value.

Category C Tree
Trees of low canopy cover and/or unusual form which are considered to be of low value.

Proposed Development in Retention



Project:
 OUT LAKE HEAD FARM
 CHIPPING
 LANCASHIRE
 PR3 2NQ

Agent for Client:
 PWA PLANNING

TITLE:
 DRAFT TREE PROTECTION
 PLAN

In Relation to Proposed Development of Existing Farm House and
 Construction of New Detached Residential Property

Scale: 1:200 @ A3
Date: July 2017
Drawn by: RG
Checked by: PH



Ref: BT0175-TPP Rev:0

Important: The original version of the plan was produced in colour, which is essential to the plan's interpretation and usability. As such, a monochrome copy should not be relied upon.