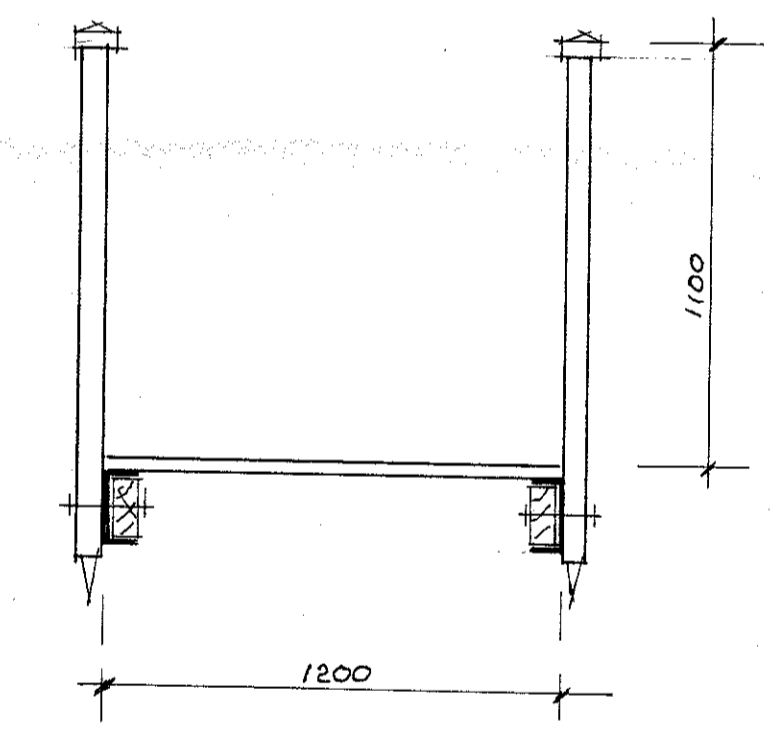
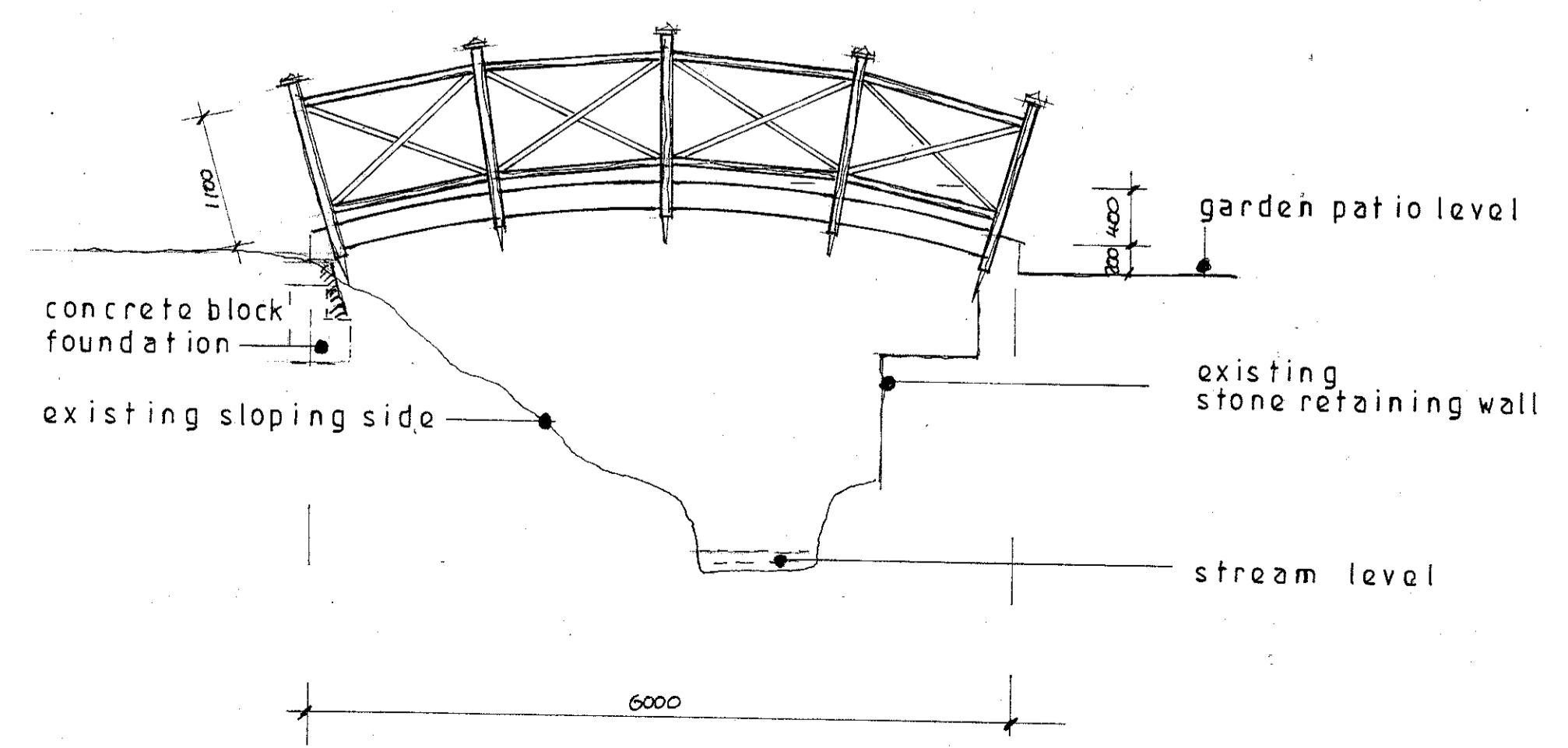


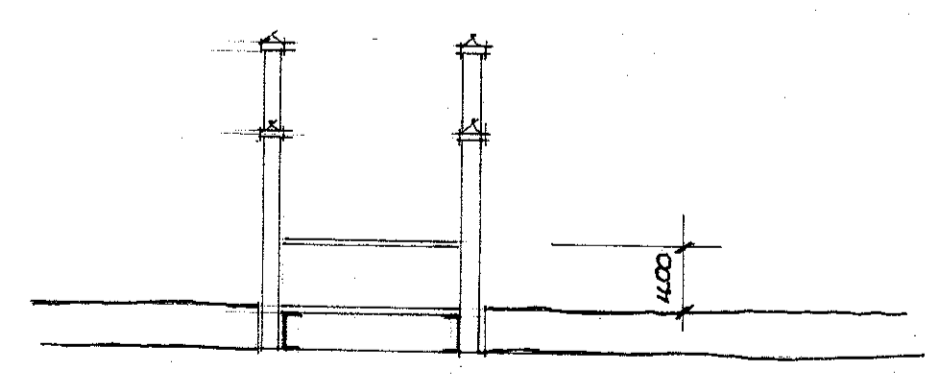
Proposed Plan



Sectional Detail
(1:20)



Proposed Side Elevation
(handed)



Proposed End Elevation
(handed)

S.J. Bialecki Limited Building Surveyors
Drawing no 7005
Scale 1:100 & 1:50
Proposed Access Bridge On Land At Austin House Malt Kiln Lane Chipping