

# Tree Protection Scheme

In Relation to Proposed Construction of Additional Upper Floor to Existing Garage and Extension to Adjoin Residential Dwelling at



**Study Cottage, 23 Church Street,  
Clitheroe, Lancashire, BB7 2DD**

Prepared by:

**Bowland**   
Tree Consultancy Ltd

January 2018

**TREE PROTECTION SCHEME  
23 CHURCH STREET, CLITHEROE**

---

**CONTENTS**

1. TREE SURVEY SCHEDULE & BS5837:2012 – TABLE 1
2. TEMPORARY PROTECTIVE FENCING SPECIFICATION
3. DRAFT TREE PROTECTION PLAN

**Contact Details**

Bowland Tree Consultancy Ltd  
First Floor  
11 Cannon Street  
Preston  
Lancashire  
PR1 3NR

T: 01772 437150  
E: [info@bowlandtreeconsultancy.co.uk](mailto:info@bowlandtreeconsultancy.co.uk)

**TREE PROTECTION SCHEME  
23 CHURCH STREET, CLITHEROE**

---

**Control sheet**

**Project No.:** BTC1490

**Site:** Study Cottage, 23 Church Street, Clitheroe, BB7 2DD

**Clients:** Mr Starkie & Mrs Chenery

**Council:** Ribble Valley Borough Council

**Survey Date:** 19 December 2017

**Surveyor:** Ryan Gledhill FdSc MArborA

**Prepared by:** Ryan Gledhill FdSc MArborA

**Checked by:** Phill Harris MSc BSc(Hons) HND MArborA CEnv MICFor

**Date of Issue:** 4 January 2018

**Status:** Final Issue For Planning

**Version No:** 1

**TREE SURVEY SCHEDULE FOR TREE PROTECTION SCHEME**

Site: Study Cottage, 23 Church Street, Clitheroe, Lancashire, BB7 2DD

Client: Mr Starkie & Mrs Cheney

Surveyor: Ryan Gleedhill Fels. MAmerA

Survey Date: 19 December 2017

Job Ref: BTC1490

No.	Species	Height	Stem Diam.	Branch Spread	Branch & Canopy Clearance	Life Stage	PC	General Observations and Comments	Management Recommendations	ERC	Cat. Grade	RPA (m <sup>2</sup> )	RPA Radius (m)
T1	Ginkgo Biloba	7	1x210 1x200 (ts)	N 1 E 3 S 3 W 2	1-W 1	EM	G	<ul style="list-style-type: none"> <li>Located on raised narrow landscape area along north garden edge, approximately 150mm behind west retaining wall corner. Root Protection Area (RPA) offset accordingly (see TIP).</li> <li>Stem bifurcates at a height of 1m, with an evidently included union.</li> <li>Frequent instances of crossed rubbing and included branches to a diameter of approximately 70mm.</li> <li>Suppressed canopy north due to adjacent retaining wall.</li> <li>Small instances of deadwood to a diameter of approximately 30mm.</li> </ul>	<ul style="list-style-type: none"> <li>Retain in context of proposed development.</li> <li>Prune canopy to reduce spread by up to 1m where applicable, in order to accommodate construction of proposed upper floor garage extension (note: tree contractor should be required to provide a detailed pruning works specification in accordance with BS3998:2010 - Tree Work Recommendations).</li> <li>Protect Root Protection Area (RPA) throughout development using Temporary Protective Fencing (specification appended) to form a Construction Exclusion Zone (CEZ).</li> </ul>	10+	C1	38	3.48
T2	Ash	15	800	N 6 E 11 S 6 W 10	4-E 3	M	G	<ul style="list-style-type: none"> <li>Located within neighbouring church yard.</li> <li>East side of stem base in contact with hardstanding walkway.</li> <li>Retaining wall approximately 1.5m from west stem base with a 2m drop in ground level down to site - RPA offset accordingly (see TIP).</li> <li>Stem bifurcates at a height of 2m.</li> <li>Moderate instances of partially occluded pruning wounds to a diameter of approximately 150mm from crown thin pruning management.</li> <li>Moderate instances of deadwood to a diameter of 100mm.</li> </ul>	<ul style="list-style-type: none"> <li>Retain in context of proposed development.</li> <li>No projected impacts due to tree's location atop a 2m high retaining wall, therefore protection unnecessary.</li> </ul>	20+	B1	290	9.6

**Headings and Abbreviations:**

Allocated sequential reference number - Tree (T), Group (G), Woodland (W) or Hedge (H) reference number - refer to plan and to numbered logs where applicable  
 Common name  
 In metres, to nearest half metre - where possible approximately 80% are measured using an electronic diameter and the remainder estimated against the measured trees. In the case of Groups and Woodlands the measurement listed is that of the Highest tree  
 Stem diameter in millimetres, to nearest 10mm - measured and calculated as per Annex C of BS5837:2012. NB = multi-stemmed, TS = thin-stemmed  
 Crown radius measured (or estimated where considered appropriate) from the four cardinal points (north, east, south and west) to give an accurate visual representation of the crown  
 Existing height above ground level, in metres, of first significant branch and direction of growth (e.g. 2.5-N) and of canopy at lowest point - to inform on crown to height ratio, potential for shading, etc.  
 Estimated age class - Y = young, SM = semi-mature, EM = early-mature, M = mature, PM = post-mature  
 Physiological Condition - a measure of the tree's overall vitality. L = Dead, MD = Meriband, P = Poor, M = Moderate, G = Good  
 Comments relating to the tree (t) overall condition and any other pertinent factors including structural details, current and potential direct structural damage, physiological decline, poor form, etc.  
 Either Preliminary or in Consideration of the Proposal - in the case of Arboricultural Constraints Surveys the recommended management works only taking effect and tree circumstances and conditions into account and not proposed developments. Arboricultural Impact Assessment and Method Statement related  
 Surveys take the proposed development into consideration with recommendations made accordingly. More than one option may be given if considered appropriate  
 Estimated Remaining Contribution - in years as per BS5837:2012 (i.e. <10, 10+, 20+, 40+)  
 Category Grading - tree retention value listed as U, A, B or C - in accordance with BS5837:2012 Table 1  
 Root Protection Area in m<sup>2</sup> - calculated area around the tree that must be appropriately protected throughout the development process in order to avoid root damage  
 Root Protection Area Radius - in metres measured from the centre of the stem to the line of tree protection  
 Where trees are located off-site, or are inaccessible for any other reason, and accurate measurements or other information cannot be taken then the information provided is estimated and is duly suffixed with a "E" symbol

**BS5837:2012 Table 1 – Cascade Chart for Tree Quality Assessment**

Category and definition	Criteria (including subcategories where appropriate)			Identification on plan
<p><b>Trees unsuitable for retention (see Note)</b></p> <p><b>Category U</b></p> <p>Those in such a condition that they cannot realistically be retained as living trees in the context of the current land use for longer than 10 years</p>	<p><b>Note</b></p> <ul style="list-style-type: none"> <li>▪ Trees that have a serious, irremediable, structural defect, such that their early loss is expected due to collapse, including those that will become unviable after removal of other category U trees (e.g. where, for whatever reason, the loss of companion shelter cannot be mitigated by pruning)</li> <li>▪ Trees that are dead or are showing signs of significant, immediate, and irreversible overall decline</li> <li>▪ Trees infected with pathogens of significance to the health and/or safety of other trees nearby, or very low quality trees suppressing adjacent trees of better quality</li> </ul> <p><i>Note: Category U trees can have existing or potential conservation value which it might be desirable to preserve; see BS5837:2012 paragraph 4.5.7.</i></p>			Red
<p><b>Trees to be considered for retention</b></p>	<p><b>1. Mainly arboricultural qualities</b></p> <p><b>2. Mainly landscape qualities</b></p> <p><b>3. Mainly cultural values, including conservation</b></p>			
<p><b>Category A</b></p> <p>Trees of high quality with an estimated remaining life expectancy of at least 40 years</p> <p><b>Category B</b></p> <p>Those of moderate quality and value: those in such a condition as to make a significant contribution. A minimum of 20 years is suggested.</p>	<p>Trees that are particularly good examples of their species, especially if rare or unusual; or those that are essential components of groups or formal or semi-formal arboricultural features (e.g. the dominant and/or principal trees within an avenue)</p> <p>Trees that might be included in the high category, but are downgraded because of impaired condition. Examples include the presence of remediable defects including unsympathetic past management and minor storm damage</p>	<p>Trees, groups or woodlands of particular visual importance as arboricultural and/or landscape features</p> <p>Trees present in numbers, usually as groups or woodlands, so they form distinct landscape features which attract a higher collective rating than they might as individuals. But which are not, individually, essential components of formal or semi-formal arboricultural features. For example, trees of moderate quality within an avenue that includes better. A category specimens. Or trees which are internal to the site, therefore individually having little visual impact on the wider locality</p>	<p>Trees, groups or woodlands of significant conservation, historical, commemorative or other value (e.g. veteran trees or wood-pasture)</p> <p>Trees with clearly identifiable conservation or other cultural benefits</p>	Green
<p><b>Category C</b></p> <p>Those trees of low quality and value: currently in adequate condition to remain until new planting could be established - a minimum of 10 years is suggested - or young trees with a stem diameter below 150 mm</p>	<p>Trees not qualifying in higher categories</p> <p><b>Note</b> – Whilst C category trees will usually not be retained where they would impose a significant constraint on development, young trees with a stem diameter of less than 150mm should be considered for relocation</p>		<p>Trees present in groups or woodlands, but without this conferring on them significantly greater landscape value, and/or trees offering low or only temporary screening benefit</p> <p>Trees with very limited conservation or other cultural benefits</p>	Blue

## **DISCLAIMER**

**Survey Limitations:** Unless otherwise stated all trees are surveyed from ground level using non-invasive techniques. The disclosure of hidden crown and stem defects, in particular where they may be above a reachable height or where trees are ivy clad or in areas of ground vegetation, cannot therefore be expected. All obvious defects, however, are reported. Detailed tree safety appraisals are only carried out under specific written instructions. Comments upon evident tree safety relate to the condition of said tree at the time of the survey only.

Unless otherwise stated all trees should be re-inspected annually in order to appraise their on-going mechanical integrity and physiological condition. It should, however, be recognised that tree condition is subject to change, for example due to the effects of disease, decay, high winds, development works, etc. Changes in land use or site conditions (e.g. development that increases access frequency) and the occurrence of severe weather incidents are also significant considerations with regards tree structural integrity and trees should therefore be re-assessed in the context of such changes and/or incidents and inspected at intervals relative to identified and varying site conditions and associated risks.

Where trees are located wholly or partially on neighbouring private third-party land then said land is not accessed and our inspection is therefore restricted to what can reasonably be seen from within the site. Stem diameters of trees located on such land are estimated. Any subsequent comments and judgments made in respect of such trees are based on these restrictions and are our preliminary opinion only. Recommendations for works to neighbouring third-party trees are only made where a potentially unacceptable risk to persons and/or property has been identified during our survey. Where significant structural defects of third-party trees are identified and associated management works are considered essential to negate any risk of harm and/or damage then we will first attempt to inform the site occupier of the issues and, if not possible, then inform the relevant Council. Where a more detailed assessment is considered necessary then appropriate recommendations are set out in the Tree Survey Schedule.

Where tree stem locations are not included on the plan(s) provided then they are plotted at the time of the survey using, where appropriate and/or practicable, a combination of measurement triangulation and GPS co-ordination. Where this is not possible then locations are estimated. Restrictions in these respects are detailed in the report.

The tree survey and any report information provided is intended as a guide to identify key tree related constraints to site development only. As such, the potential influence of trees upon existing or proposed buildings or other structures resulting from the effects of their roots abstracting water from shrinkable load-bearing soils is not considered herein. The tree survey information in its current form should not therefore be considered sufficient to determine appropriate foundation depths for new buildings. Accordingly, an updated survey, with reference to the current NHBC Standards Chapter 4.2 - Building Near Trees, must therefore be prepared for the specific purpose of informing suitable foundation depths subsequent to planning approval being granted. The advice of a structural engineer must also be sought with regard to appropriate foundation depths for new buildings.

**Copyright & Non-Disclosure Notice:** The content and layout of this report are subject to copyright owned by Bowland Tree Consultancy Ltd, save to the extent that copyright has been legally assigned to us by another party or is used by Bowland Tree Consultancy Ltd under license. This report may not be copied or used without our prior written agreement for any purpose other than those indicated.

**Third Parties:** Any disclosure of this document to a third party is subject to this disclaimer. The report was prepared by Bowland Tree Consultancy Ltd at the instruction of and for use by our client, as named. This report does not in any way constitute advice to any third party who is able to access it by any means. Bowland Tree Consultancy Ltd excludes to the fullest extent lawfully permitted all liability whatsoever for any loss or damage arising from reliance on the contents of this report.

**Statutory Tree Protection:** It is the client's responsibility to check for the presence of any statutory tree protection measures, such as the site's location within a Conservation Area and/or the presence of any Tree Preservation Orders, directly with the applicable Council's planning department prior to scheduling or carrying out any tree works. In turn, it is also the client's responsibility to check for the need for a felling licence with the Forestry Commission prior to scheduling or carrying out any tree works. Bowland Tree Consultancy Ltd cannot be held responsible for any decisions made by the client to prune or remove trees where any such statutory protection exists.

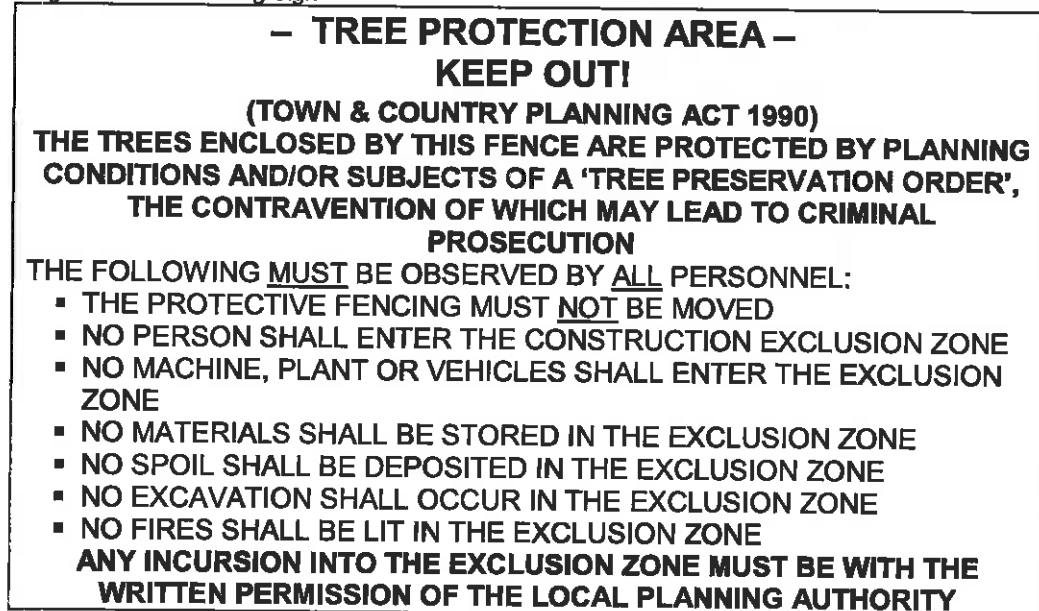
## - TEMPORARY PROTECTIVE FENCING & GROUND PROTECTION SPECIFICATION -

**Construction Exclusion Zones (CEZs)**, shall be enclosed by **Temporary Protective Fencing** and/or, where necessary, **Temporary Ground Protection Measures**. The fencing/ground protection Type(s), locations, and extents shall be agreed, in writing, with the Local Planning Authority (LPA). In turn, the **Temporary Protective Fencing** and/or **Temporary Ground Protection Measures** shall:

1. be constructed as in accordance with the Type 1, Type 2 or Type 3 'Temporary Protective Fencing Construction' sections and, where applicable the 'Temporary Ground Protection Measures' section, as detailed herein and agreed, in advance with the LPA;
1. be retained in place throughout the development process until completion of the project, and only removed following receipt of written permission from the LPA;
2. be sited in the area(s) defined by the Root Protection Areas on the associated Tree Impact Plan, or as the CEZs on the Tree Protection Plan;
3. be erected prior to any construction, demolition or excavation works and remain in place for the duration of the project;
4. preclude any delivery of site accommodation and/or materials and/or plant machinery;
5. preclude all construction related activity, with the sole exception of specified arboricultural works and any other works to be carried out under supervision that have been agreed by all parties;
6. preclude the storage of all development related materials and substances including fuels, oils, additives, cement and/or any other deleterious substance; and
7. be affixed with a 600mm x 300mm warning sign reading "TREE PROTECTION AREA KEEP OUT" (see Figure 1, below), at every 10.0 metre length of protective fencing.

**Important:** Any incursion into CEZs must be by prior arrangement, following consultation with the LPA.

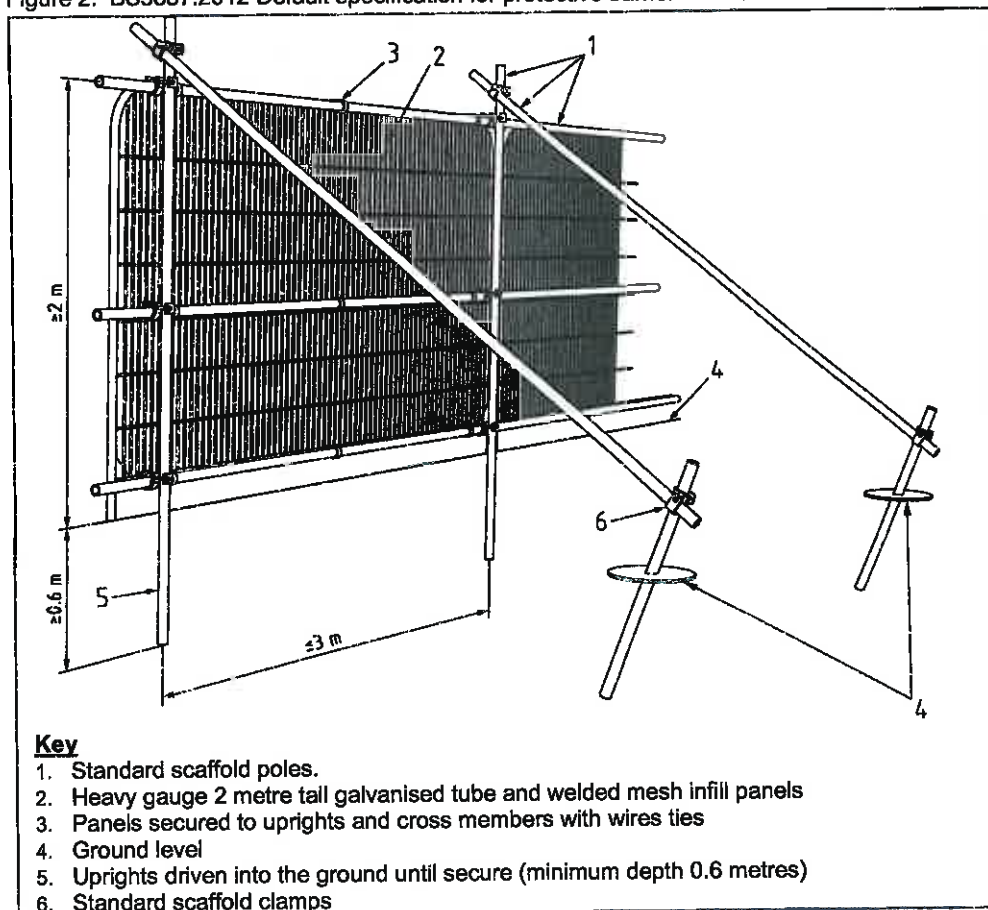
Figure 1: CEZ Warning Sign



**Type 1 (i.e. 'Default') Temporary Protective Fencing Construction (see Figure 2, below)**

1. Temporary protective fencing panels shall be weldmesh "Heras" panels of at least 2.0 metres in height.
2. The panels shall butt together and be securely fixed to a scaffold framework, as per points 3 to 5 of Figure 2, overleaf.
3. The scaffold framework shall comprise of upright poles of at least 3.0 metres in length driven no less than 0.6 metres into the ground at maximum 3.0 metre centres with horizontal and diagonal poles fixed to the uprights, as per points 4 to 5.
4. The two horizontal rail poles shall be attached to the uprights at heights of 0.6 and 1.8 metres with 3 no. clamps to each joint.
5. The diagonal scaffold pole struts be clamped to the top rail of the scaffold framework at a 45° angle and extend back into the CEZ and clamped to a 0.7 metre length of scaffold tube that shall be driven no less than 0.5m into the ground.
6. No fixing shall be made to any tree and all possible precautions shall be taken to prevent damage to tree roots when locating posts.
7. A 600mm x 300mm warning sign reading "TREE PROTECTION AREA KEEP OUT" (see Figure 1) shall be fixed to every 10.0 metre length of protective fencing.
8. On completion of erection, and prior to any demolition or construction works, site preparation, excavation or delivery of plant and materials, the Consulting Arboriculturist or the LPA Tree Officer, as agreed, shall inspect the Temporary Protective Fencing.

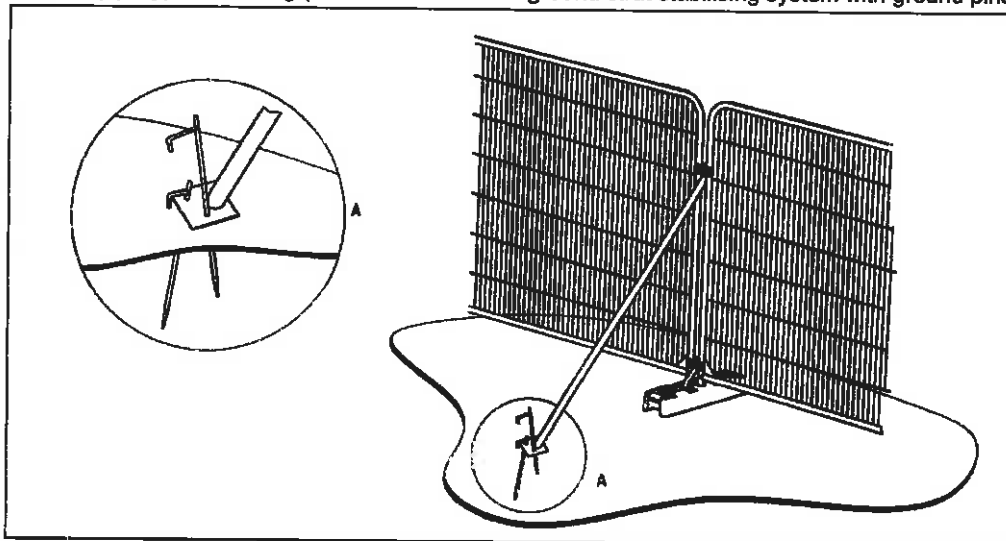
Figure 2: BS5837:2012 Default specification for protective barrier



**Type 2 Temporary Protective Fencing Construction (see Figure 3(a), below)**

1. Temporary protective fencing panels shall be weldmesh "Heras" panels of at least 2.0 metres in height.
2. The panels shall stand on rubber or concrete feet.
3. The panels shall butt together, and be joined together using a minimum of two anti-tamper couplers, installed so that they can only be removed from inside the fence.
4. The distance between the fence couplers shall be at least 1.0 metre, and shall be uniform throughout the fence.
5. The panels shall be supported on the inner side by stabiliser struts, which shall be clamped to the scaffold framework at a 45° angle and extend back into the CEZ and shall be attached to a base plate, which shall be secured to the ground with pins (Figure 3a).
6. No fixing shall be made to any tree and all possible precautions shall be taken to prevent damage to tree roots when locating posts.
7. A 600mm x 300mm warning sign reading "TREE PROTECTION AREA KEEP OUT" (see Figure 1) shall be fixed to every 10.0 metre length of protective fencing.
8. On completion of erection, and prior to any demolition or construction works, site preparation, excavation or delivery of plant and materials, the Consulting Arboriculturist or the LPA Tree Officer, as agreed, shall inspect the Temporary Protective Fencing.

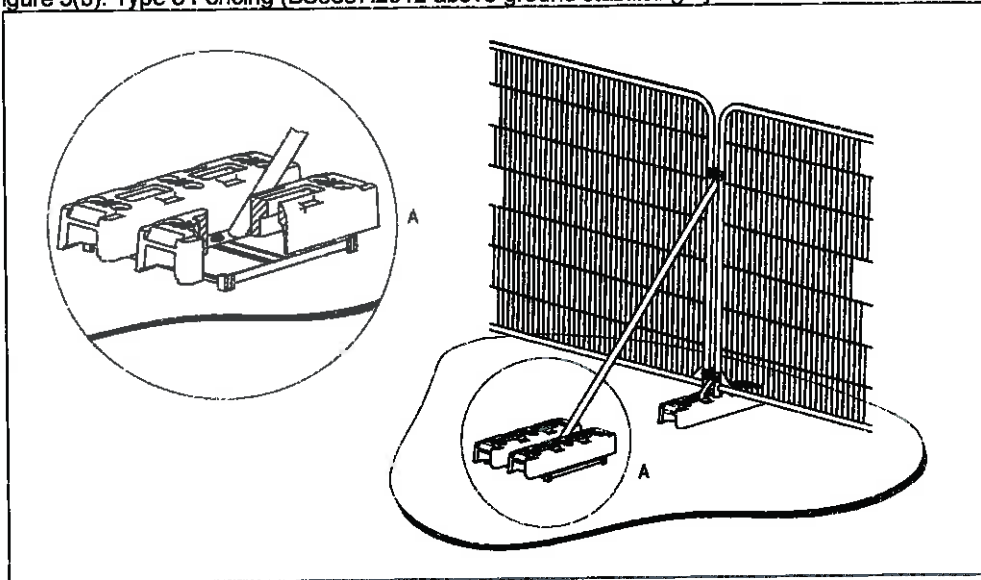
Figure 3(a): Type 2 Fencing (BS5837:2012 above-ground strut stabilising system with ground pins)



**Type 3 Temporary Protective Fencing Construction (see Figure 3(b), overleaf)**

1. Temporary protective fencing panels shall be weldmesh "Heras" panels of at least 2.0 metres in height.
2. The panels shall stand on rubber or concrete feet.
3. The panels shall butt together, and be joined together using a minimum of two anti-tamper couplers, installed so that they can only be removed from inside the fence.
4. The distance between the fence couplers shall be at least 1.0 metre, and shall be uniform throughout the fence.
5. The panels shall be supported on the inner side by stabiliser struts, which shall be clamped to the scaffold framework at a 45° angle and extend back into the CEZ and shall be attached to a block tray base (Figure 3b).
6. No fixing shall be made to any tree and all possible precautions shall be taken to prevent damage to tree roots when locating posts.
7. A 600mm x 300mm warning sign reading "TREE PROTECTION AREA KEEP OUT" (see Figure 1) shall be fixed to every 10.0 metre length of protective fencing.
8. On completion of erection, and prior to any demolition or construction works, site preparation, excavation or delivery of plant and materials, the Consulting Arboriculturist or the LPA Tree Officer, as agreed, shall inspect the Temporary Protective Fencing.

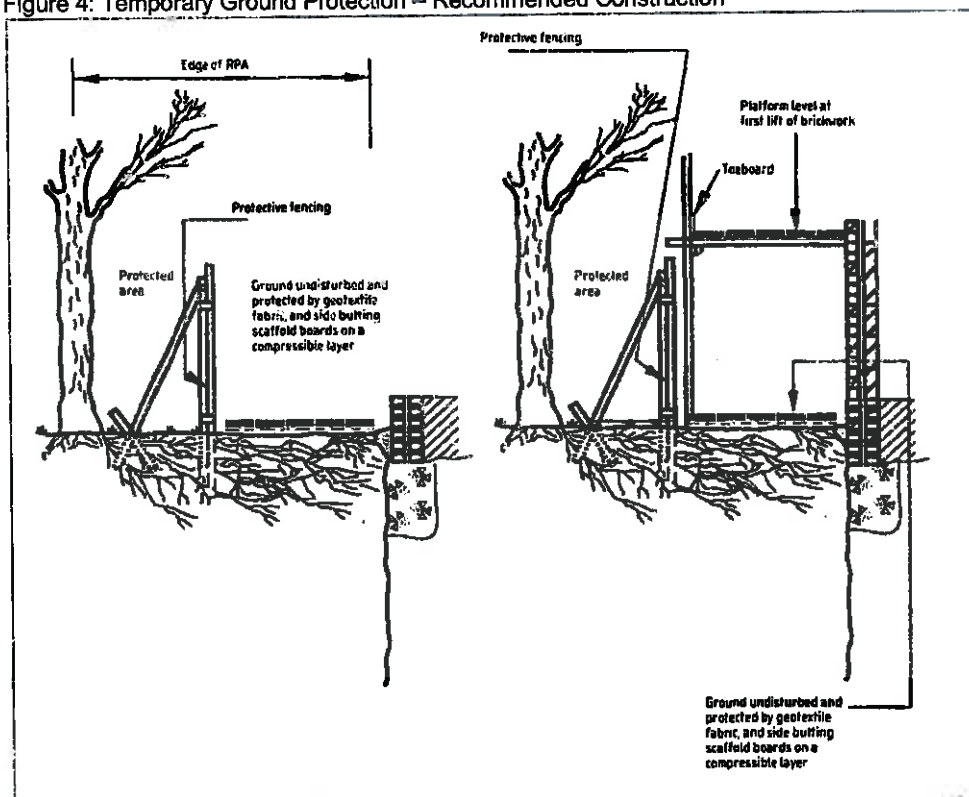
Figure 3(b): Type 3 Fencing (BS5837:2012 above-ground stabilising system with strut on block tray)



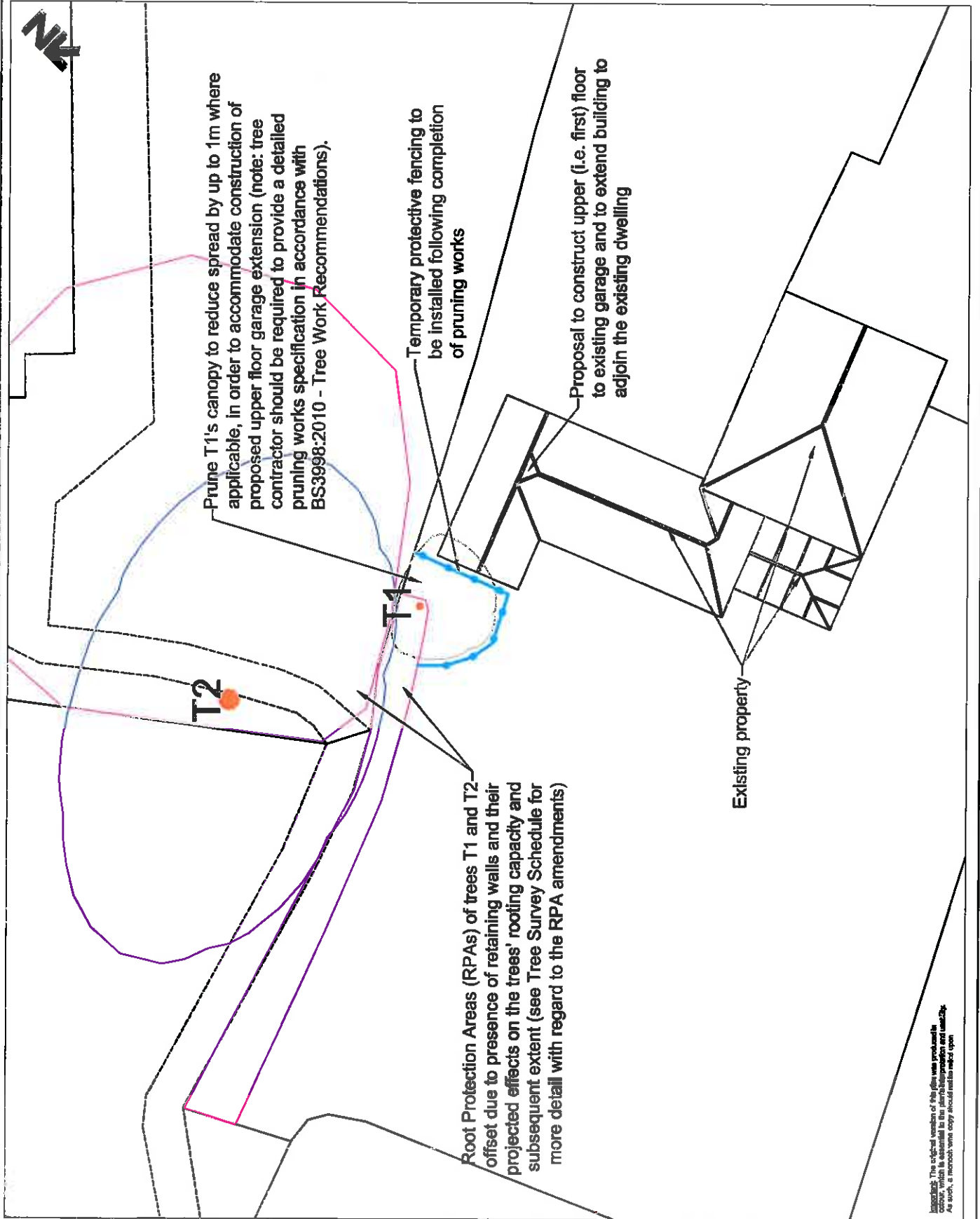
### Temporary Ground Protection

1. Any necessary Temporary Ground Protection areas shall conform to Figure 4, below, unless otherwise agreed with the LPA.
2. The Ground Protection Area shall be left undisturbed and covered by a semi-permeable geotextile membrane which shall, in turn, be covered by a compressible layer consisting of a material such as woodchip.
3. Side-butting scaffold boards shall then be fitted to cover the Ground Protection Area.
4. On completion of installation, and prior to any demolition or construction works, site preparation, excavation or delivery of plant and materials, the Consulting Arboriculturist or the LPA Tree Officer, as agreed, shall inspect the Temporary Ground Protection.
5. The Temporary Ground Protection shall remain in place until completion of the project and only removed following receipt of written permission from the LPA.

Figure 4: Temporary Ground Protection – Recommended Construction



<b>KEY</b>	T = Individual Tree	Project: STUDY COTTAGE 28 CHURCH STREET CLITHEROE LANGASHIRE BB7 2JD
<p>Prune other to (Weedcut) Tree Survey Schedule for specific details in respect of items listed:</p> <p><b>Tree Categories:</b></p> <p>Those to be Considered for Retention:</p> <ul style="list-style-type: none"> <li>Category 'A' Tree: Those of a High Quality tree with a maximum canopy spread of at least 10 Years</li> <li>Category 'B' Tree: Those of a medium quality tree with a maximum canopy spread of at least 10 Years</li> <li>Category 'C' Tree: Those of a low quality tree with a maximum canopy spread of at least 10 Years, or Young Trees</li> </ul> <p>Those Considered Unsuitable for Retention:</p> <ul style="list-style-type: none"> <li>Category 'D' Tree: Those in such a Condition that they cannot be pruned to a maximum canopy spread of at least 10 Years</li> <li>Category 'E' Tree: Those in such a Condition that they cannot be pruned to a maximum canopy spread of at least 10 Years</li> </ul> <p>Note: The tree boundaries were indicated on the site plan and are shown in blue. The Root Protection Areas (RPAs) are shown in red. The Root Protection Areas (RPAs) are shown in red. The Root Protection Areas (RPAs) are shown in red.</p>	Client: MR STARKIE & MRS CHENERY	
<p><b>Root Protection Area (RPA):</b></p> <p>Area(s) of Ground Around Trees that should be Protected Throughout the Life of the Tree in order to ensure its continued health and stability.</p> <p><b>Construction Excavation Areas (CEAs):</b></p> <p>Area(s) of Ground Around Trees that should be Protected Throughout the Life of the Tree in order to ensure its continued health and stability.</p>	<p>Scale: 1:2000AM</p> <p>Date: January 2018</p> <p>Drawn by: RG</p> <p>Checked by: JK</p>	
<p><b>Tree Categories:</b></p> <p>Those to be Considered for Retention:</p> <ul style="list-style-type: none"> <li>Category 'A' Tree: Those of a High Quality tree with a maximum canopy spread of at least 10 Years</li> <li>Category 'B' Tree: Those of a medium quality tree with a maximum canopy spread of at least 10 Years</li> <li>Category 'C' Tree: Those of a low quality tree with a maximum canopy spread of at least 10 Years, or Young Trees</li> </ul> <p>Those Considered Unsuitable for Retention:</p> <ul style="list-style-type: none"> <li>Category 'D' Tree: Those in such a Condition that they cannot be pruned to a maximum canopy spread of at least 10 Years</li> <li>Category 'E' Tree: Those in such a Condition that they cannot be pruned to a maximum canopy spread of at least 10 Years</li> </ul>	<p><b>Tree Categories:</b></p> <p>Those to be Considered for Retention:</p> <ul style="list-style-type: none"> <li>Category 'A' Tree: Those of a High Quality tree with a maximum canopy spread of at least 10 Years</li> <li>Category 'B' Tree: Those of a medium quality tree with a maximum canopy spread of at least 10 Years</li> <li>Category 'C' Tree: Those of a low quality tree with a maximum canopy spread of at least 10 Years, or Young Trees</li> </ul> <p>Those Considered Unsuitable for Retention:</p> <ul style="list-style-type: none"> <li>Category 'D' Tree: Those in such a Condition that they cannot be pruned to a maximum canopy spread of at least 10 Years</li> <li>Category 'E' Tree: Those in such a Condition that they cannot be pruned to a maximum canopy spread of at least 10 Years</li> </ul>	



**N**

The original version of this plan was produced in accordance with the Tree Survey Schedule for specific details in respect of items listed. As such, it is not a final plan and should not be used for any other purpose.

