

Ventrolla

SASH WINDOW SPECIALISTS

New Windows

Over 30
years of British
Craftsmanship





Bespoke New Joinery

Traditional Joinery Hand Crafted By Ventrolla

Original timber sash and casement windows embody the charm and heritage of any period property, however, with rising heating bills many homeowners are looking for a solution that provides maximum energy efficiency whilst still maintains the authentic look and charm of a period timber window.

Ventrolla hand craft complete new timber windows using a slim double glazed unit and traditional joinery methods and expertise to match the profile of your existing windows, wherever possible.

The slim glazing unit used has a reduced sightline of the spacer bar between the two panes of glass, which enables Ventrolla to manufacture narrower glazing bars, thereby allowing us to closely replicate your original sashes. In addition, born from our dedication to using a range of traditional carpentry methods, all our new sashes incorporate 'through' or 'solid' glazing bars, not 'stick on' versions, again, to help create an authentic period look for your sash windows.

Bespoke new, energy efficient timber windows to suit you and your period home.



Slim Double Glazing

Making Your Home Energy Efficient

Our bespoke new windows offer energy saving measures that, in conjunction with our unique Ventrolla Perimeter Sealing System (VPSS) offers you a combination of high performance, comfort and style.

We install slim glazing units allowing us to manufacture your new sashes using traditional carpentry methods, including solid glazing bars (instead of glazing bars stuck on to the glass), which help to retain the window's authentic period look and feel. Another main feature of the slim glazing unit is the reduced sightline of the spacer bar between the two panes of glass, allowing us to manufacture narrower glazing bars and thereby closely replicating the existing windows.

Specification

- Slim 16mm [4/8/4] Double Glazed units
- Centre Pane U-Value of 1.3 Wm²K
- Total Window U-Value of 1.6 Wm²K
- Dual Edge Seal Technology
- Saint Gobain Planitherm Total+ Glass (outer pane)
- Krypton filled cavity
- Choice of white or black spacer bar
- Conforms to the very latest British Standards requirements BS EN 1279, Parts 1-6

Timber

All new joinery, including new double glazed windows, are made using hardwood.

Installed As Standard

Our unique Ventrolla Perimeter Sealing System (VPSS) draught proofing system is installed as standard to all new sashes and new windows.

To assist with future maintenance and painting we install our unique Sash Removal System (SRS) which enables both the top and bottom sashes to be removed for redecoration and future maintenance from the inside of the property.

The Finish & Fittings

Replacement sashes and complete new windows are sprayed with high build base coat Teknos 3130 and anti-stain primer Teknos Antique White, ready for final finishing by others.

All Ventrolla windows can be supplied with hardware in a range of styles and finishes. Please ask for a copy of our hardware brochure.

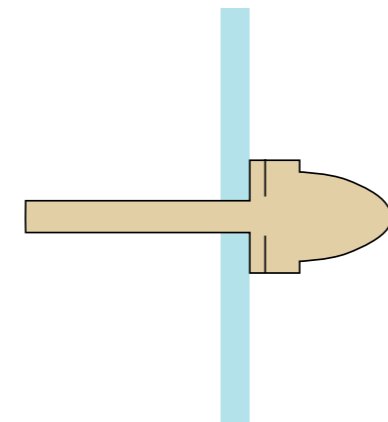
Additional Services

In addition to new windows, we also manufacture and install new slim double glazed sashes into your existing sash box frame.

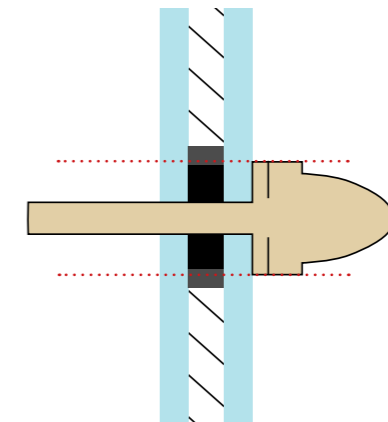
For properties where historic protection applies, single glazed windows can also be manufactured with a range of glazing options, please ask your Surveyor for details.



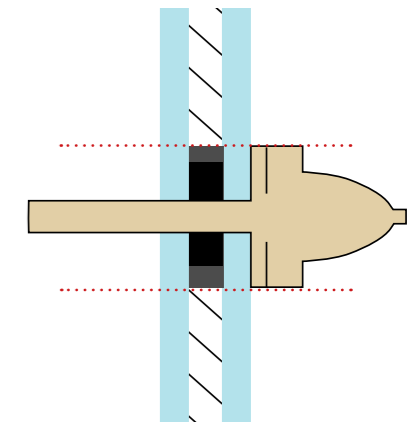
Single Glazed (normal glazing bar)



Double Glazed (normal glazing bar)



Double Glazed (wider bespoke glazing bar)



Draught Proofing

Effective & Discrete Draught Proofing for your Home

As with all our Ventrolla products and services, our unique draught proofing system, the Ventrolla Perimeter Sealing System, is installed into your complete new windows as standard. Teamed with modern energy efficient glazing, our draught proofing system will help eliminate all problems usually associated with the mechanisms of sash windows, such as wind, dust and sometimes water leak into your home as well as losing heat.

This draught proofing system is a brush pile installed in and around your new sashes and new sash box, therefore sealing any gaps whilst still allowing the sashes to move past each other smoothly so as not to hinder their operation.

All new windows come with the Ventrolla Perimeter Sealing System (VPSS) fitted as standard.



“ Keeping you cosy
all year round ”



Our Unique Sash Removal System

Making Future Maintenance Stress Free

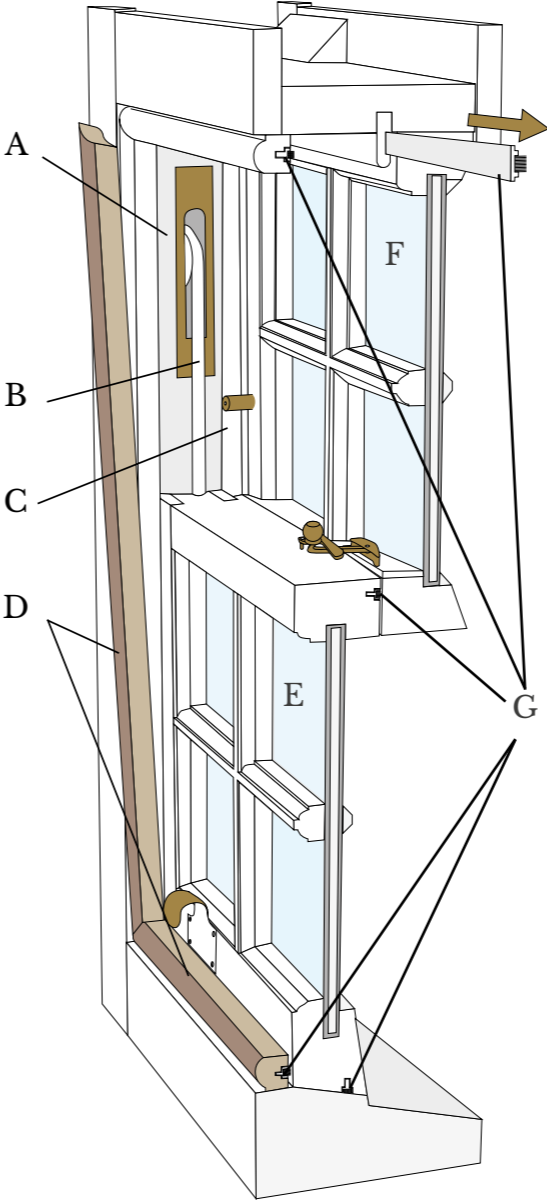
For over 30 years we have been installing our unique Sash Removal System thus avoiding problems such as losing the sash cord in the sash box frame and eliminating the need for scaffolding when painting sash windows.

The system consists of a 'brake' that forms the end of the sash cord and sits within housing in the side of your sashes. This will ensure that your sash cord will not break free from your sashes and end up lost in the sash box.

Additionally, in order for you to carry out future maintenance on your sash windows, such as painting and deep cleaning, the Sash Removal System enables you to access your sashes and dismantle your window internally without scaffolding.

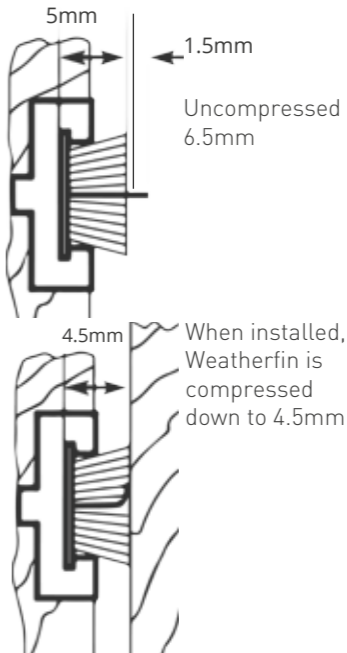


A Ventrolla Renovated Window



- A Pulley
- B Sash Cord
- C Parting Bead
- D Removable Staff Bead
- E Bottom Sash
- F Top Sash
- G Removable pile - see diagram below
(Also installed on C & D)

Removable Weatherfin Pile



Sash Removal System (SRS) is discreetly mounted in the side of the sash, allowing safe and easy removal of both the upper and lower sashes, to therefore give free access to the window box frame, and is not visible either internally or externally during the normal operation of the sash window.



Close up of the brake itself unengaged and free to move



Close up of brake in it's engaged state

Glossary Of Terms

Overview

All Ventrolla renovation work comes with a 5 year no quibble guarantee and is undertaken by experienced Installers that have been fully trained in the methodology of our unique Ventrolla system.

All of our Installers are directly employed and are CRB checked for your peace of mind.

Our approach ensures we maintain our high standards and that your beautiful historic window will be energy efficient without altering the appearance or historic value of your property.

The Ventrolla Perimeter Sealing System (VPSS)

Sash windows have a 3mm air gap around the sashes to allow the sashes to slide past each other and operate smoothly. It is this air gap that causes the inherent problems associated with sash windows, such as draughts, rattles, dust ingress and reduced energy efficiency. By installing the Ventrolla Perimeter Sealing System (VPSS) into your new timber windows we can eliminate these problems.

For further peace of mind, VPSS has achieved British Standard (BS 6375:1-2009) and has therefore been tested to withstand winds of over 71mph.

Our high performance draught proofing Weatherfin Pile becomes an integral part of your new windows, installed in our unique parting bead between the sashes, in the staff beads around the window and installed directly into the mid and bottom rails.



Full Treatment

(Vertical Sliding Sash, Yorkshire Sliders and Venetian Windows)

When we renovate your windows, firstly we remove the sashes from the frame allowing us access to the sash box. Then we scrape any loose paint that has accumulated over the years and may be restricting the movement of the sashes. Sash cords are replaced, pulleys serviced and sashes correctly balanced to ensure smooth operation of the windows.

To accommodate our Ventrolla Perimeter Sealing System (VPSS), grooves are routed into the mid rail and bottom rail of the bottom sash, which makes the seal an integral part of the window. Finally new parting beads and staff beads are installed to complete the seal.

Half Treatment

(Vertical Sliding Sash, Yorkshire Sliders and Venetian Windows)

Similar to our "Full Treatment" above with the exception that only the bottom sash is operable with the top sash sealed shut. The bottom sash will still have our Sash Removal System (SRS) which will help with future maintenance along with our unique Ventrolla Perimeter Sealing System (VPSS), whilst the top sash will be sealed shut using Bartoline Frame Sealant.

Casement Windows

(Inc, hopper, pivot, doors)

The windows are overhauled, any paint build up that restricts the operation of the casement scraped away, the hinges are serviced and adjusted to ensure correct operation.

To accommodate our Ventrolla Perimeter Sealing System (VPSS), grooves are routed in to the inner edges of the casement or door making the seal an integral part of the structure.

If you have any questions relating to the Ventrolla service, your survey or quotation we are happy to help! 0800 0277 454, or email info@ventrolla.co.uk

Ventrolla

SASH WINDOW SPECIALISTS

For information on our services,
offices, case studies and news, visit
our website at :
www.ventrolla.co.uk

Or call us on Freephone:
[0800 0277 454](tel:08000277454)

Ventrolla Head Office
Crimple Court
Hornbeam Business Park
Harrogate
North Yorkshire
HG2 8PB