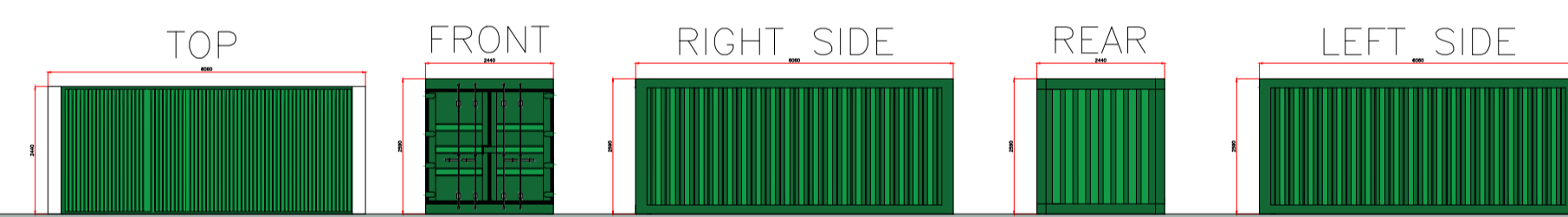


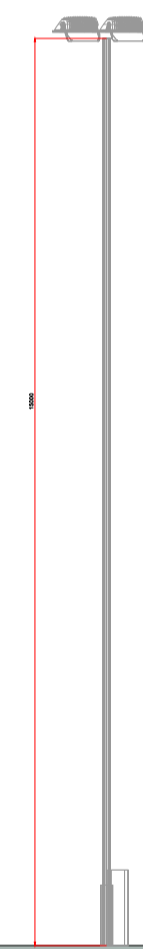
Roefield Sports Pitches

Artificial Turf Pitch

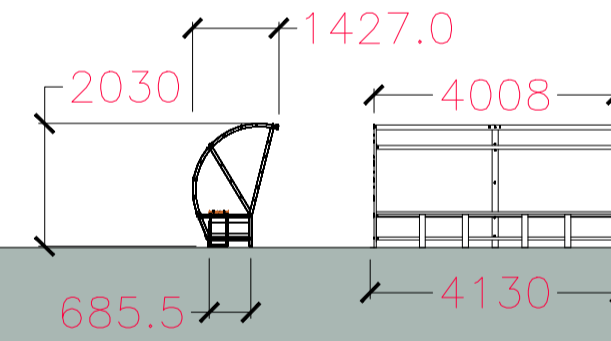
NOTES



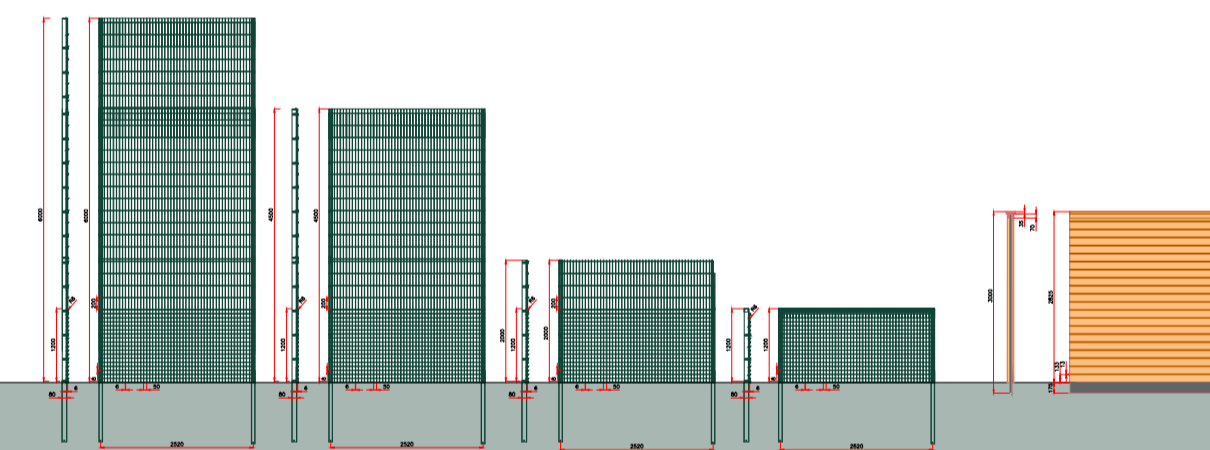
Maintenance equipment store



15m high floodlight mast with luminaires

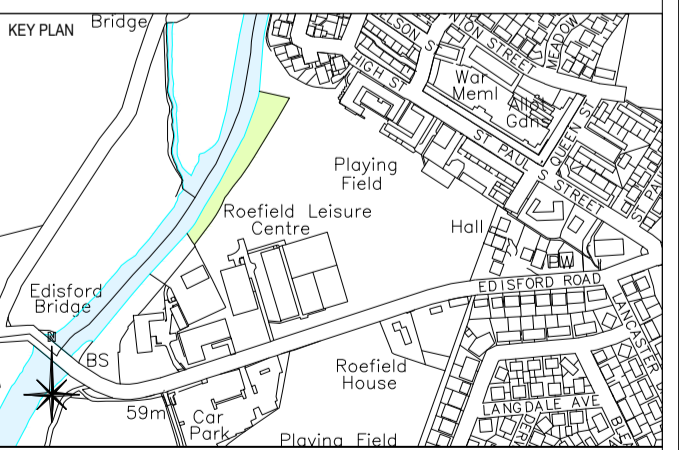


Team shelters (dug outs)



Ball stop fencing, pitch perimeter barrier and Acoustic Fence

REV	DESCRIPTION	BY	CHK	DATE
00	PLANNING ISSUE		SMD	06.04.18



AUTHOR
Sam McDonald

TITLE
 Roefields Sports Fields
 Artificial Turf Pitch
 Elevation

PROJECT	SCALE	SIZE
SSL2464	As Stated	A1
DRAWING No	REVISION	
05		00