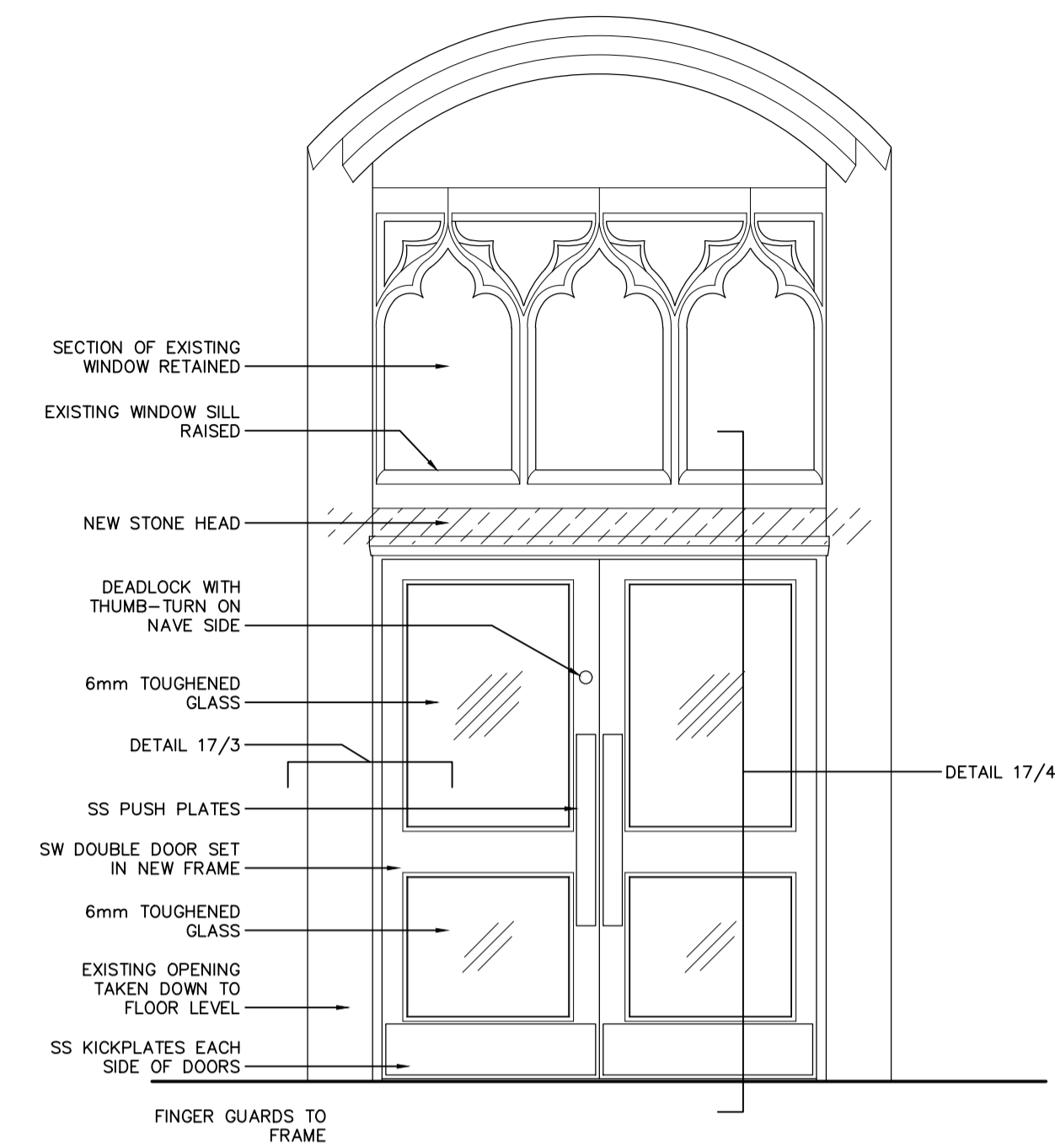
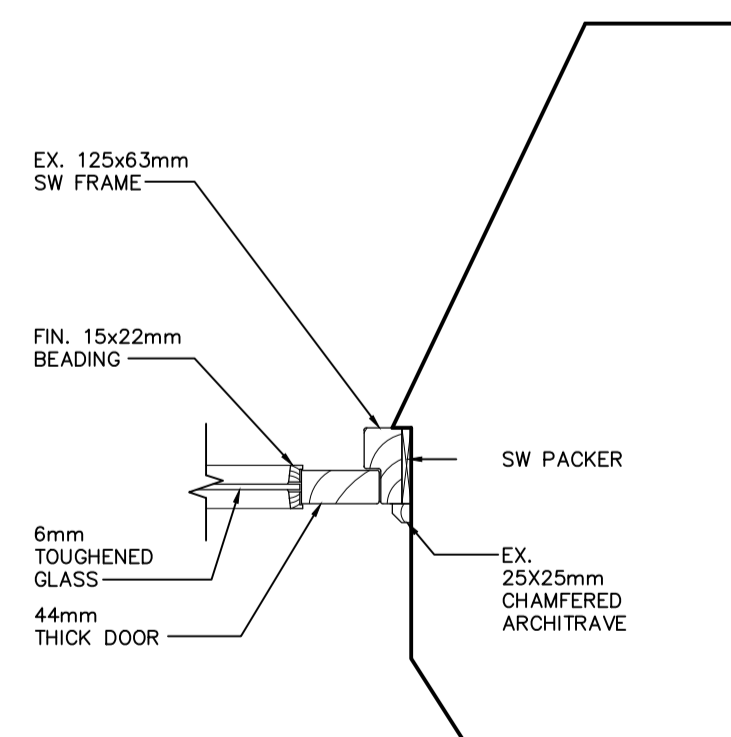


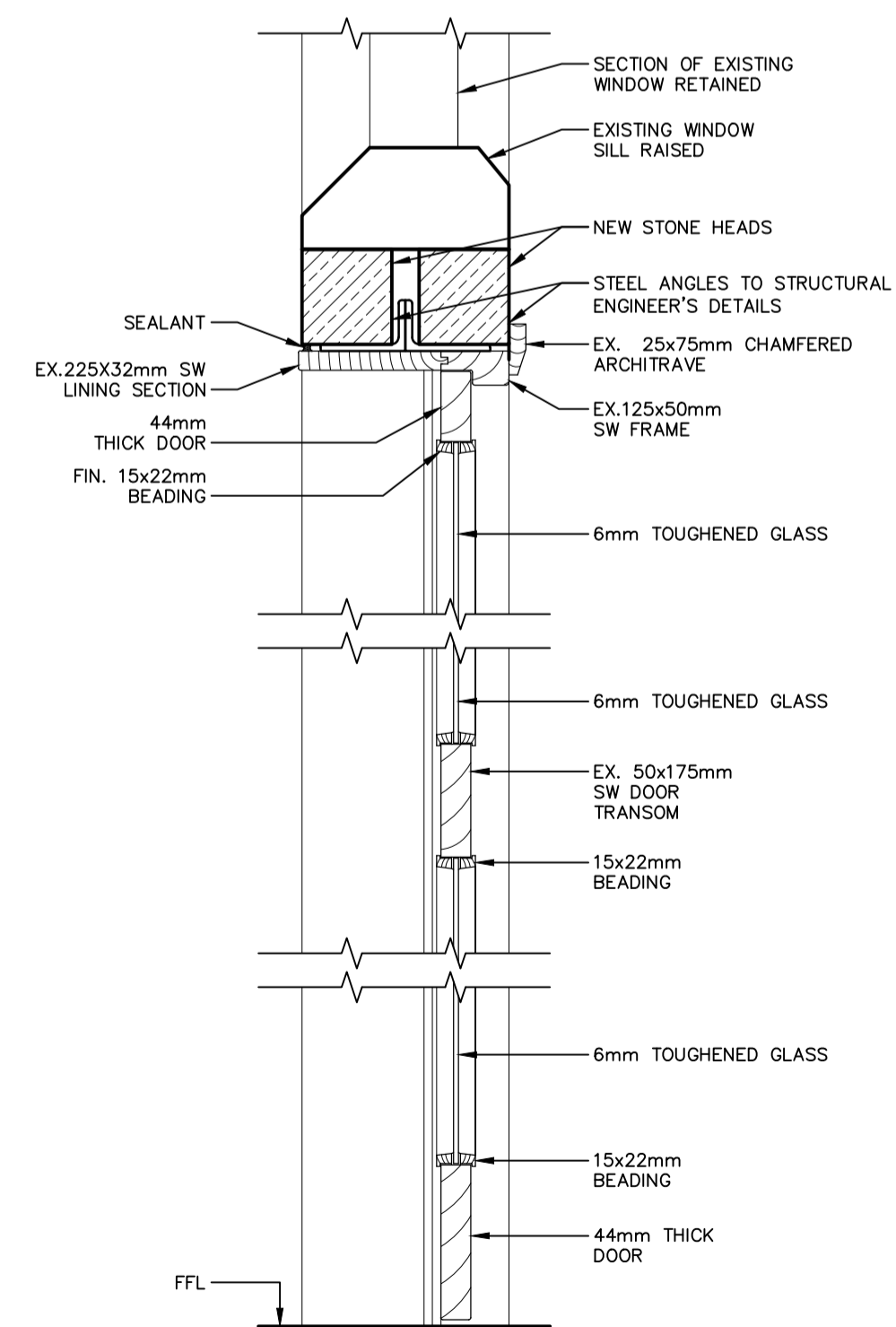
DETAIL 17/1 – ELEVATION OF NEW DOUBLE DOOR TO FOYER SIDE (SCALE 1:25)



DETAIL 17/2 – ELEVATION OF NEW DOUBLE DOOR TO NAIVE SIDE (SCALE 1:25)



DETAIL 17/3 – DOOR JAMB (SCALE 1:10)



DETAIL 17/3 – SECTION THROUGH NEW DOOR (SCALE 1:10)

Notes.

- All dimensions to be checked on site.
- No dimensions to be scaled from this drawing unless otherwise stated.

Revision No.		Checked By	
Date		Revision By	



Unit 2 Millwright 49 Byron Street Leeds LS2 7NA  
Tel: 0113 388 8000 Fax: 0113 388 8001

Washbrook House Talbot Road Old Trafford M32 0FP  
Tel: 0161 875 0800 Fax: 0161 875 0801

First Floor Swan House Russell Street Chester CH3 5AL  
Tel: 01244 348 848 Fax: 01244 320 783

8th Floor, St James House Moor Lane Sheffield S1 2BX  
Tel: 0114 286 8283

©Byrom Clark Roberts Ltd

Client:  
**ST. PETER'S CHURCH  
SALESBURY**

Project:  
**PROPOSED RE-ORDERING  
AND EXTENSION**

Drawing Title:  
**NEW DOUBLE DOOR BETWEEN  
NAIVE AND FOYER**

Scale:	Date:	Drawn:	Check:
AS SHOWN @ A1	08.18	SLW	

Job No.	Drawing No.	Rev.
51-2015-0782	17	