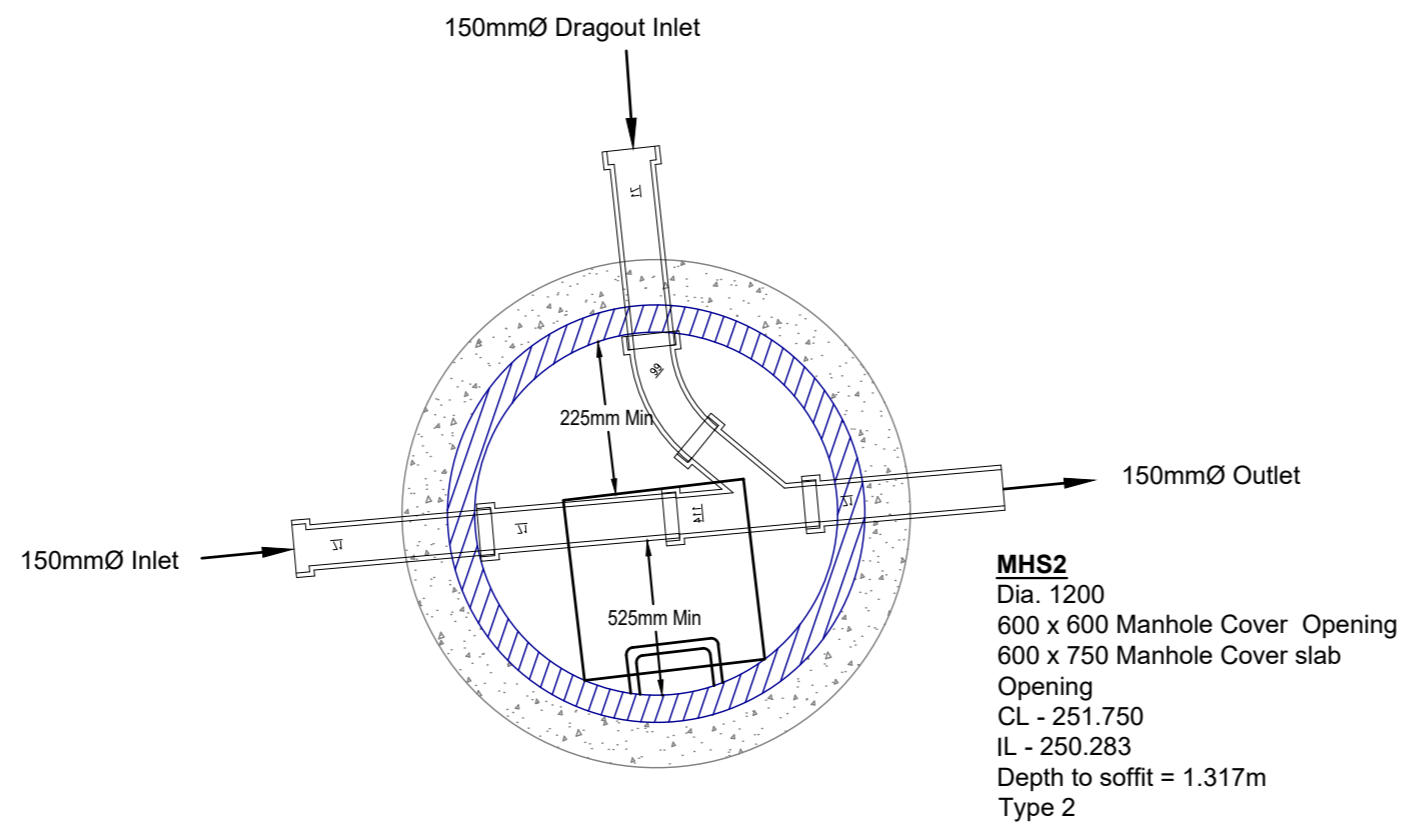
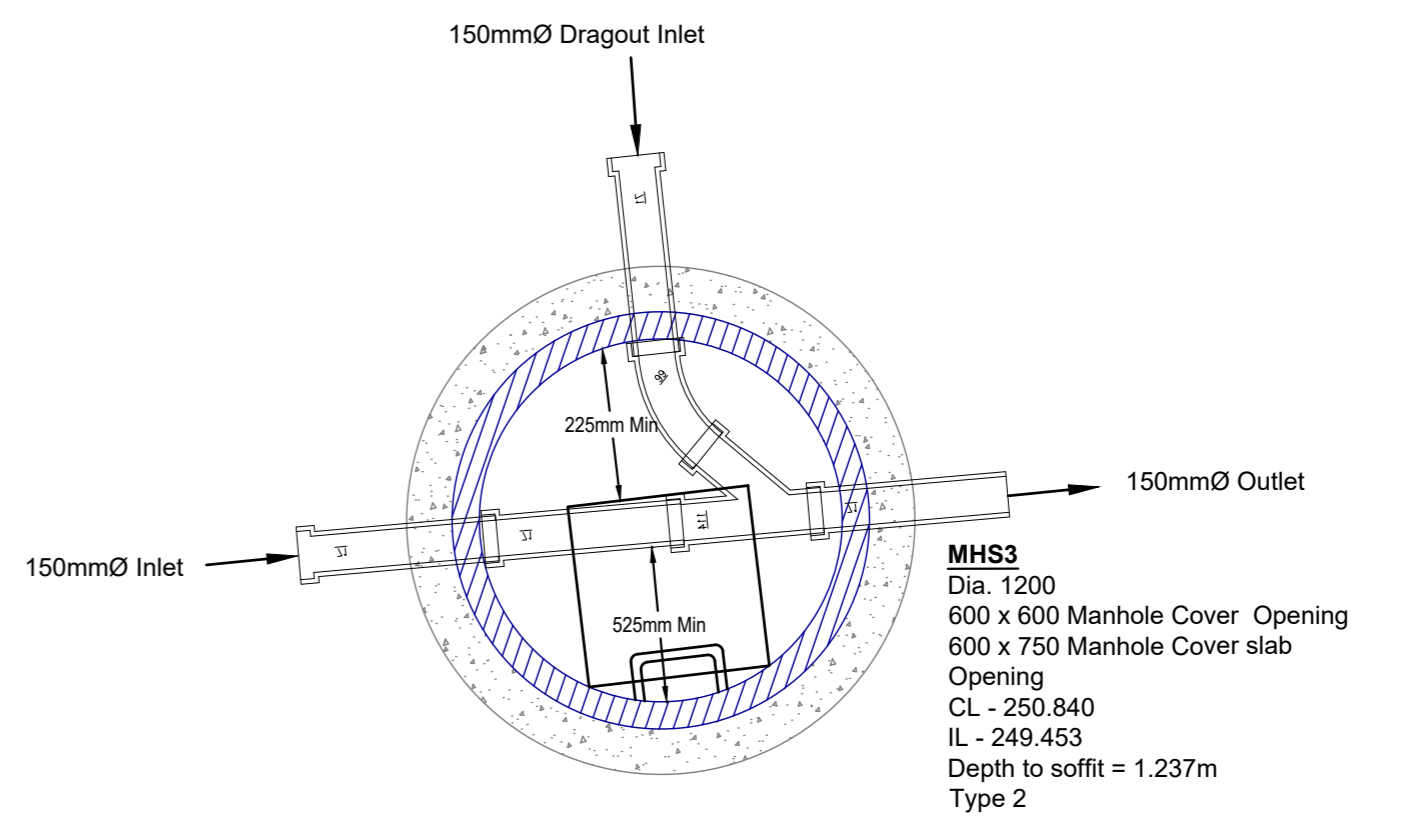


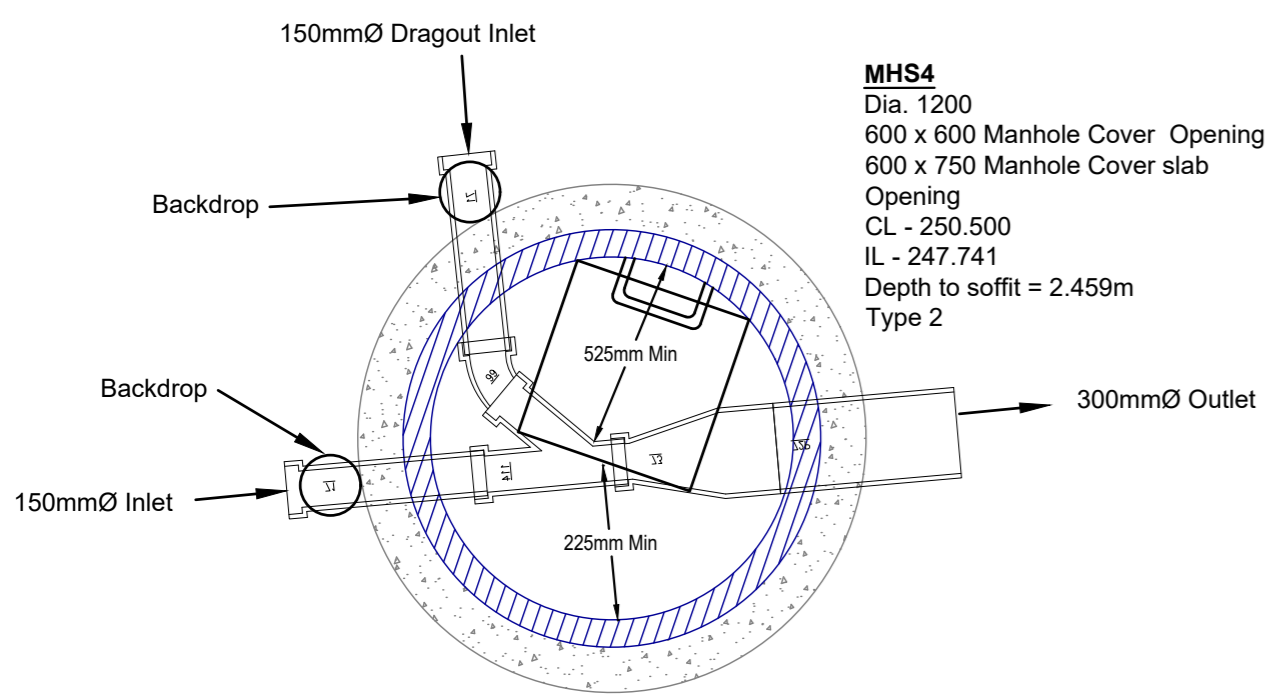
**MHS1**  
 Dia. 1200  
 600 x 600 Manhole Cover Opening  
 600 x 750 Manhole Cover slab  
 Opening  
 CL - 252.500  
 IL - 251.150  
 Depth to soffit = 1.200m  
 Type 2



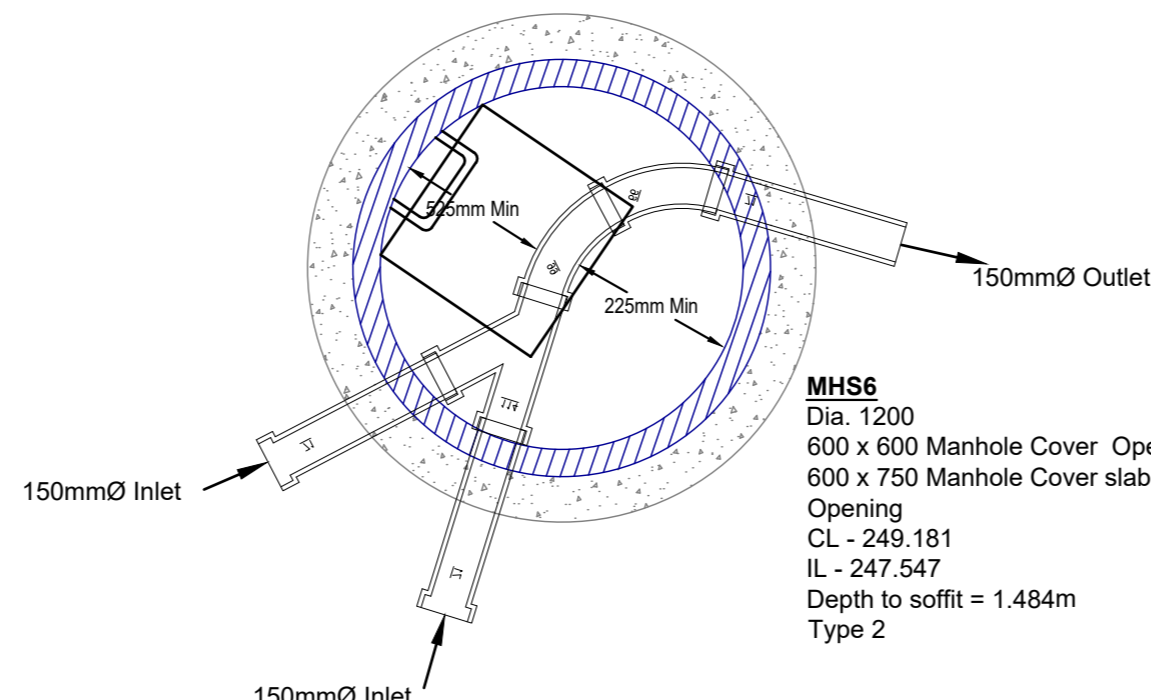
**MHS2**  
 Dia. 1200  
 600 x 600 Manhole Cover Opening  
 600 x 750 Manhole Cover slab  
 Opening  
 CL - 251.750  
 IL - 250.283  
 Depth to soffit = 1.317m  
 Type 2



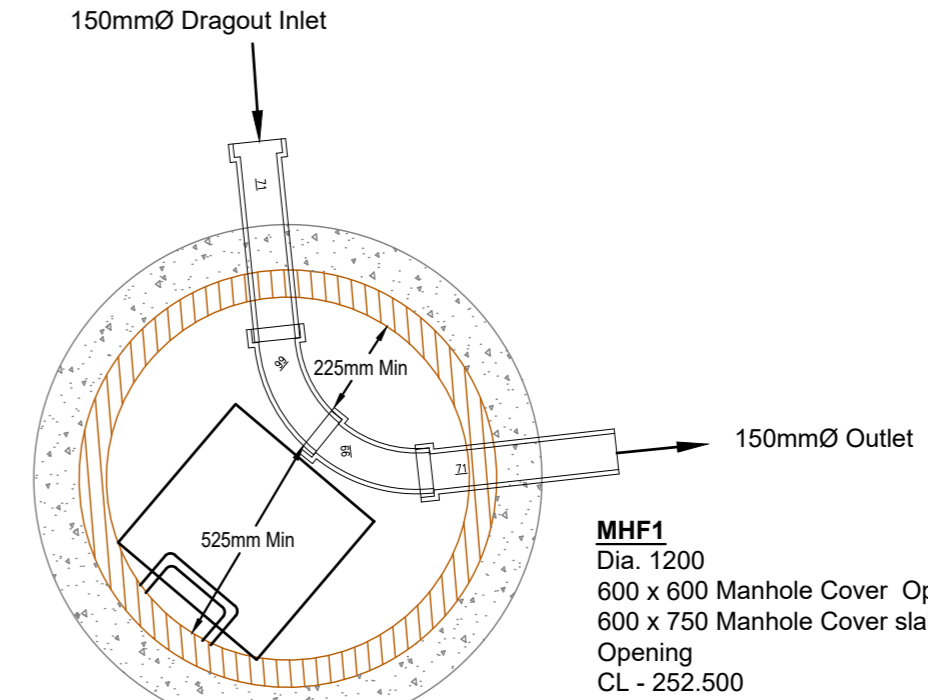
**MHS3**  
 Dia. 1200  
 600 x 600 Manhole Cover Opening  
 600 x 750 Manhole Cover slab  
 Opening  
 CL - 250.840  
 IL - 249.453  
 Depth to soffit = 1.237m  
 Type 2



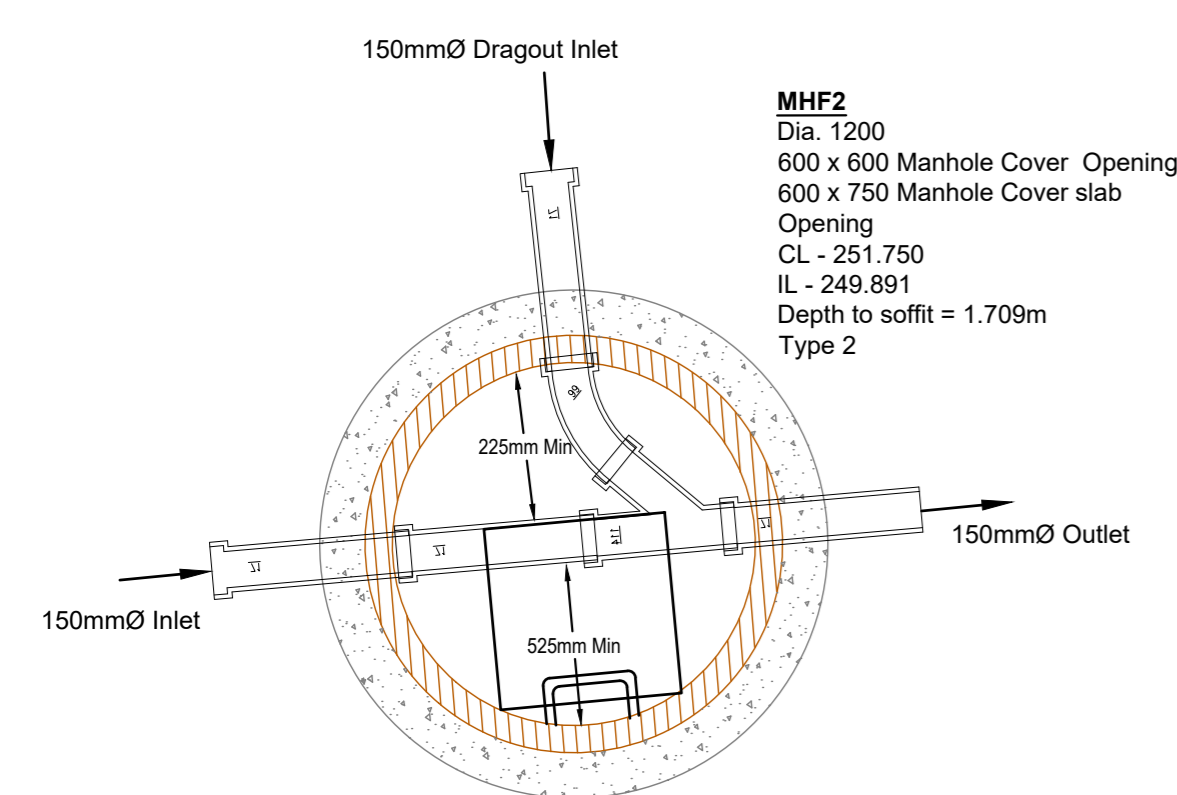
**MHS4**  
 Dia. 1200  
 600 x 600 Manhole Cover Opening  
 600 x 750 Manhole Cover slab  
 Opening  
 CL - 250.500  
 IL - 247.741  
 Depth to soffit = 2.459m  
 Type 2



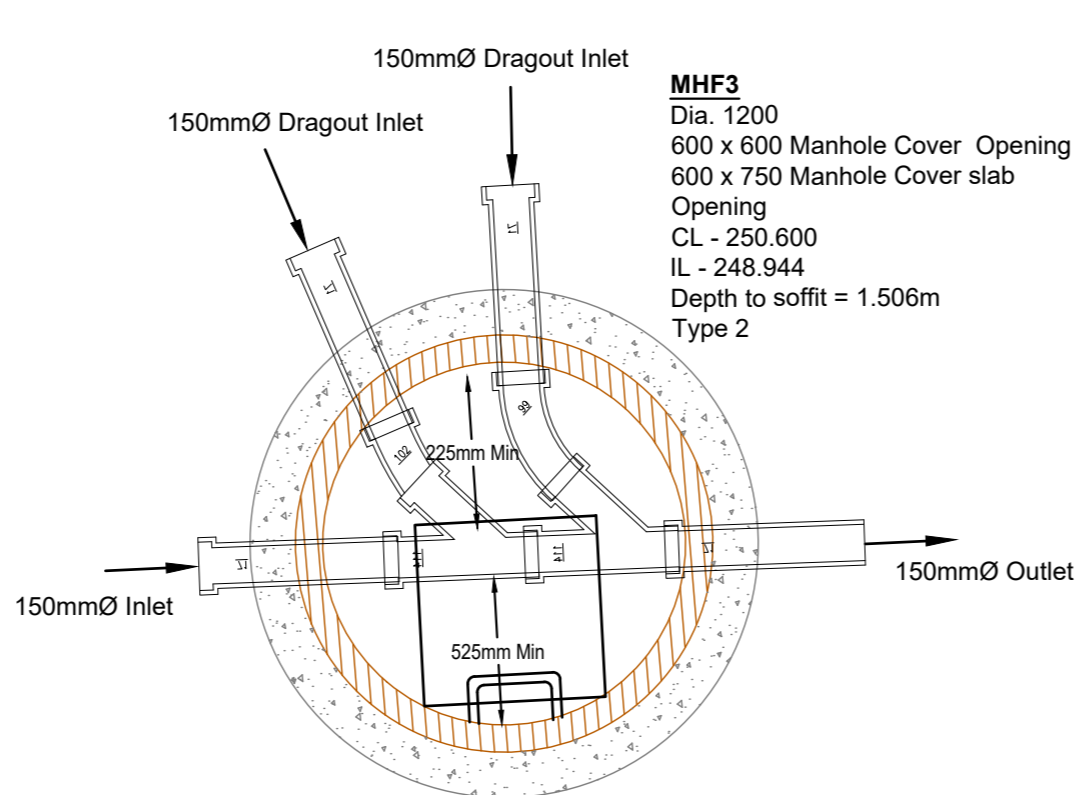
**MHS6**  
 Dia. 1200  
 600 x 600 Manhole Cover Opening  
 600 x 750 Manhole Cover slab  
 Opening  
 CL - 249.181  
 IL - 247.547  
 Depth to soffit = 1.484m  
 Type 2



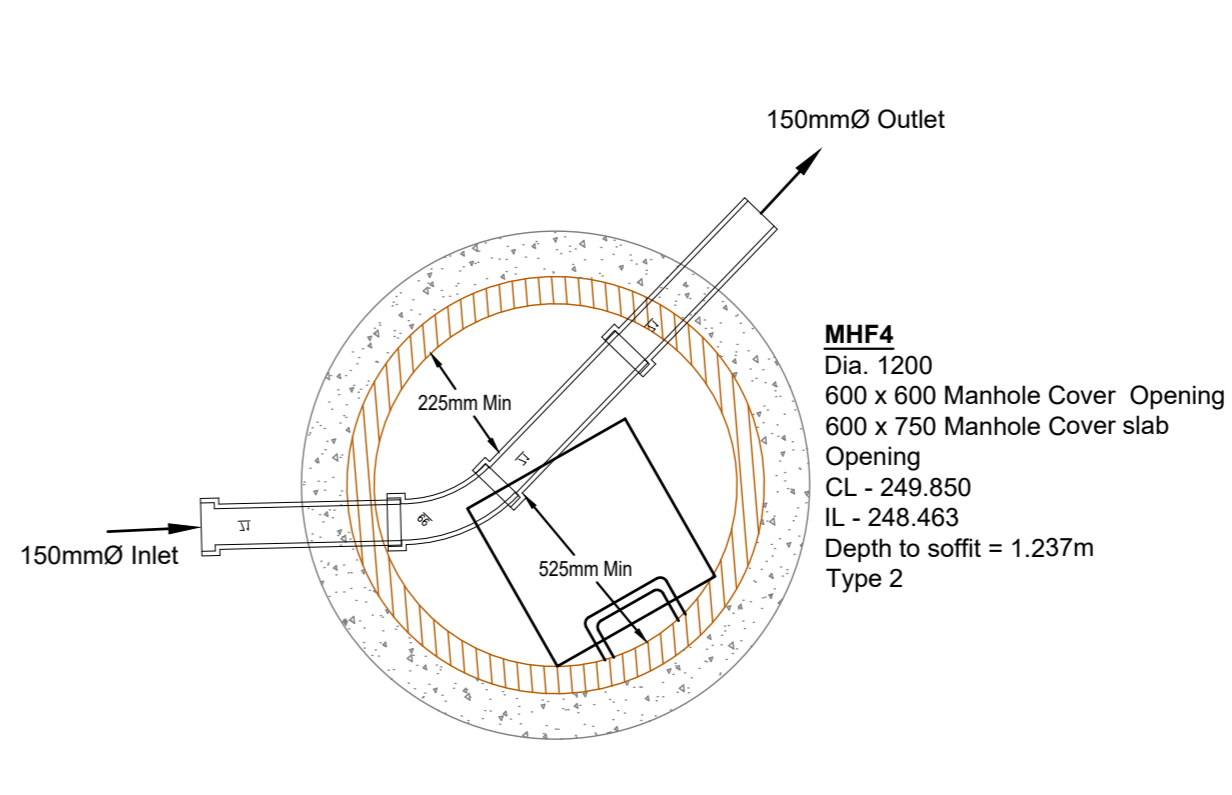
**MHF1**  
 Dia. 1200  
 600 x 600 Manhole Cover Opening  
 600 x 750 Manhole Cover slab  
 Opening  
 CL - 252.500  
 IL - 250.750  
 Depth to soffit = 1.600m  
 Type 2



**MHF2**  
 Dia. 1200  
 600 x 600 Manhole Cover Opening  
 600 x 750 Manhole Cover slab  
 Opening  
 CL - 251.750  
 IL - 249.891  
 Depth to soffit = 1.709m  
 Type 2



**MHF3**  
 Dia. 1200  
 600 x 600 Manhole Cover Opening  
 600 x 750 Manhole Cover slab  
 Opening  
 CL - 250.600  
 IL - 248.944  
 Depth to soffit = 1.506m  
 Type 2



**MHF4**  
 Dia. 1200  
 600 x 600 Manhole Cover Opening  
 600 x 750 Manhole Cover slab  
 Opening  
 CL - 249.850  
 IL - 248.463  
 Depth to soffit = 1.237m  
 Type 2

A	Rev' to suit layout update	IH	Jul 18
REV:	DESCRIPTION:	BY:	DATE:
STATUS:			

**S-Mech Ltd**  
 Consulting Structural Engineering

7 Windsor Road  
 Chorley, Lancashire  
 PR7 1LN  
 01257 367 580  
 info@s-mech.co.uk

CLIENT:  
**Pendle View Developments Ltd**

PROJECT:  
**Former Moorcock Inn**

TITLE:  
**1:20 Manhole Layouts**

SCALE AT A2: 1:20	DATE: June '18	DRAWN: IH	CHECKED: IH
PROJECT NO: 2002	DRAWING NO: 02	REVISION: A	