



Technical Data

end clamp AK II click 30-50

Material - Characteristics

description: end clamp AK II click 30-50 art.-no.: 30-400-006

Product Data

material identification EN AW-6063 T6 (EN AW-AMg0,7Si)

mechanical values:

Frd suction = 2030N
Frd thrust lateral = 150N
Frd thrust parallel = 600N

general values:

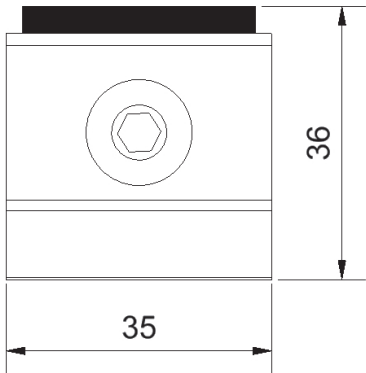
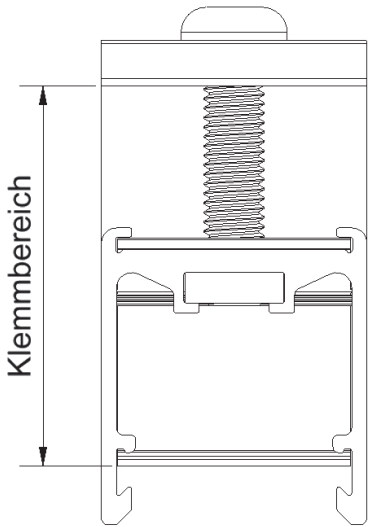
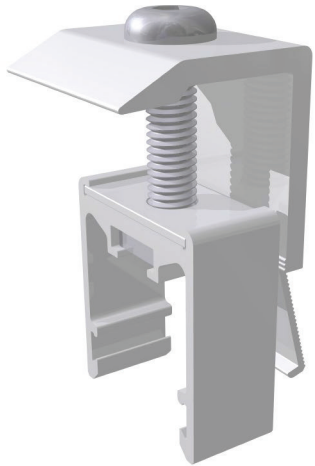
length = 36,00mm
wide = 35,00mm
hight = 66,60mm
weight = 0,055kg

notice:

height of module frame: 30 - 50 mm
tightening torque: 8-10 Nm (M8x35)
static values of the items on request

fitting:

Flat head screw M8x35 ISO 7380 A2-70
Square nut M8 low form DIN 562 A2-50



Execution Class according to Eurocode and EN 1090, parts 1 and 3: EXC 2