



**Technical Data**

*mid clamp AK 36-51*

Material - Characteristics

description: mid clamp AK 36-51 art.-no.: 30-400-007

Product Data

material identification EN AW-6063 T6  
(EN AW-AIMg0,7Si)

mechanical values:

$F_{rd \text{ suction}}$	=	2700N
$F_{rd \text{ thrust lateral}}$	=	1100N
$F_{ser \text{ working load, thrust lateral}}$	=	900N
$F_{rd \text{ thrust parallel}}$	=	1200N

general values:

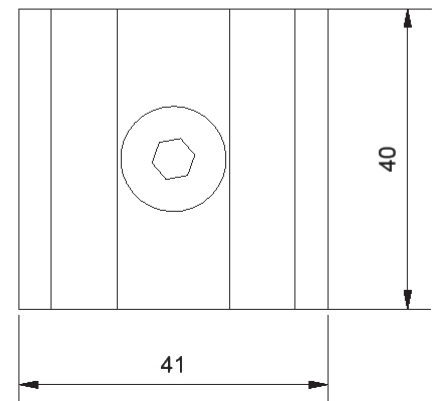
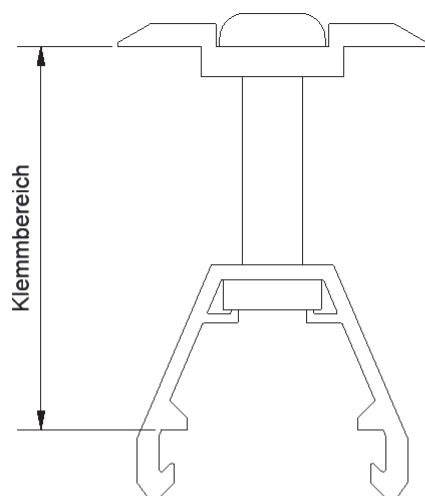
length	=	40,00mm
wide	=	41,00mm
hight	=	63,00mm
weight	=	0,040kg

notice:

height of module frame: 33 - 51 mm  
tightening torque: 8-10 Nm (M8x35)  
static values of the items on request

fitting:

Flat head screw M8x35 ISO 7380 A2-70  
Square nut M8 low form DIN 562 A2-50



Execution Class according to Eurocode and EN 1090, parts 1 and 3: EXC 2