

# Arboricultural Constraints Appraisal

in Relation to Proposed Construction  
of Detached Residential Property at



**Pyethorn Meadows, 150 Whalley Road,  
Wilpshire, Lancashire, BB1 9LJ**

Prepared by:

**Bowland**   
Tree Consultancy Ltd

September 2018

# ARBORICULTURAL CONSTRAINTS APPRAISAL PYETHORN MEADOWS, WILPSHIRE

---

## CONTENTS

1. TREE SURVEY SCHEDULE & BS5837: 2012 TABLE 1
2. TEMPORARY PROTECTIVE FENCING SPECIFICATION
3. TREE CONSTRAINTS PLAN

### Contact Details

Bowland Tree Consultancy Ltd  
First Floor  
11 Cannon Street  
Preston  
Lancashire  
PR1 3NR

T: 01772 437150  
E: [info@bowlandtreeconsultancy.co.uk](mailto:info@bowlandtreeconsultancy.co.uk)

**ARBORICULTURAL CONSTRAINTS APPRAISAL  
PYETHORN MEADOWS, WILPSHIRE**

---

**Control sheet**

**Project No.:** BTC1644

**Site:** Pyethorn Meadows, 150 Whalley Road, Wilpshire, BB1 9LJ

**Agent for Client:** AJH Associates

**Council:** Ribble Valley Borough Council

**Survey Date:** 14 September 2018

**Surveyed by:** Phill Harris MSc BSc(Hons) HND MArborA CEnv MICFor

**Prepared by:** Phill Harris MSc BSc(Hons) HND MArborA CEnv MICFor

**Checked by:** Ryan Gledhill FdSc MArborA

**Date of Issue:** 19 September 2018

**Version No:** 1

**TREE SURVEY SCHEDULE FOR ARBORICULTURAL CONSTRAINTS APPRAISAL**

**Site:** Pyethorn Meadows, 150 Whalley Road, Wilpshire, Lancashire, BB1 9LJ

**Agent for Client:** AJH Associates

**Surveyor:** Phill Harris Chartered Arboriculturist  
**Survey Date:** 14 September 2018  
**Job Ref:** BTC1644

No.	Species	Height	Stem Diam.	Branch Spread	Branch & Canopy Clearances	Life Stage	PC	General Observations and Comments	Management Recommendations	ERC	Cat. Grade	RPA (m <sup>2</sup> )	RPA Radius (m)
T1	Common Laburnum	5	230	N 2.5 E 2.5 S 2.5 W 2.5	1.6 2	EM	M	<ul style="list-style-type: none"> <li>Stem divides into multiple primary branches at a height of approximately 1.6m.</li> </ul>		10+	C1	24	2.76
T2	Common Horse Chestnut	17	760	N 8 E 4 S 7 W 6	8-N 8	M	G	<ul style="list-style-type: none"> <li>Previously excessively pruned to lift crown with subsequent clear stem of approximately 8m and multiple unoccluded and partially occluded pruning wounds to approximately 150mm diameter.</li> <li>Moderately biased crown west.</li> </ul>		20+	B1	261	9.12
T3	Small-Leaved Lime	17	610	N 5.5 E 4.5 S 5.5 W 2	11 4.5	EM	G	<ul style="list-style-type: none"> <li>Previously excessively pruned to lift crown with subsequent clear stem of approximately 11m and multiple unoccluded and partially occluded pruning wounds to approximately 150mm diameter.</li> <li>Moderately biased crown east.</li> </ul>		10+	B1	168	7.32
T4	Antarctic Beech	9	270	N 3 E 2.5 S 2 W 1.5	4-NE 2	SM	G	<ul style="list-style-type: none"> <li>Moderate stem lean north and moderately biased crown north-east.</li> </ul>		10+	C1	33	3.24
T5	Field Maple	9.5	270	N 3.5 E 3.5 S 4 W 5	2.5-S 3	SM	G	<ul style="list-style-type: none"> <li>Moderate stem lean and slightly biased crown west.</li> <li>Moderate stem curvature west at a height of approximately 1.8m.</li> </ul>		40+	B1	33	3.24
T6	Sycamore	18	400	N 5 E 1 S 4 W 5	8-N 6	SM	M	<ul style="list-style-type: none"> <li>Highly biased crown west due to suppression by neighbouring trees.</li> <li>Crown showing signs of a moderate reduction in vitality with moderately small leaves.</li> </ul>		10+	C1	72	4.8
T7	Common Lime	18	470#	N 5 E 3 S 5 W 4	5-NE 15	EM	G	<ul style="list-style-type: none"> <li>On opposite side of compacted earth footpath next to stream.</li> <li>Not inspected in detail.</li> <li>Concentrated area of dense ivy to stem at a height of approximately 3m, thereby significantly inhibiting visual inspection.</li> </ul>		20+	B1	100	5.64

**Headings and Abbreviations:**

No. - Allocated sequential reference number - Tree (T), Group (G), Woodland (W) or Hedge (H) reference number - refer to plan and to numbered tags where applicable  
 Species - Common name  
 Height - in metres, to nearest half metre - where possible approximately 80% are measured using an electronic clinometer and the remainder estimated against the measured trees. In the case of Groups and Woodlands the measurement listed is that of the highest tree  
 Stem Diam. - in millimetres, to nearest 0mm - measured and calculated as per Annex C of BS5837:2012. MS = multi-stemmed, TS = twin-stemmed  
 Branch Spread - Crown radius measured (or estimated where considered appropriate) from the four cardinal points (north, east, south and west) to give an accurate visual representation of the crown  
 Branch & Canopy Clearances - Existing height above ground level, in metres, of first significant branch and direction of growth (e.g. 2.5-N) and of canopy at lowest point - to inform on crown to height ratio, potential for shading, etc.  
 Life Stages - Estimated age class - Y = young, SM = semi-mature, M = mature, PM = post-mature  
 PC - Physiological Condition - a measure of the tree(s) overall vitality, i.e. D = Dead, MD = Moribund, P = Poor, M = Moderate, G = Good  
 General Observations and Comments - Either Preliminary or In Consideration of the Proposal - in the case of Arboricultural Constraints Surveys the recommended management works only take existing site and tree circumstances and conditions into account and not proposed developments. Arboricultural Impact Assessment and Method Statement related  
 Management Recommendations - Surveys take the proposed development into consideration with recommendations made accordingly. More than one option may be given if considered appropriate  
 ERC - Estimated Remaining Contribution - in years as per BS5837:2012 (i.e. <10, 10+, 20+, 40+)  
 Cat. Grade - Category (Grading) - tree retention value listed as U, A, B or C - in accordance with BS5837:2012 Table 1  
 RPA (m<sup>2</sup>) - Root Protection Area in m<sup>2</sup> - calculated area around the tree that must be appropriately protected throughout the development process in order to avoid root damage  
 RPA Radius (m) - in metres measured from the centre of the stem to the line of tree protection  
 # (Estimated Dimensions) - Where trees are located off-site, or are inaccessible for any other reason, and accurate measurements or other information cannot be taken then the information provided is estimated and is duly suffixed with a '#' symbol

**TREE SURVEY SCHEDULE FOR ARBORICULTURAL CONSTRAINTS APPRAISAL**

**Site:** Pyethorn Meadows, 150 Whalley Road, Wilpshire, Lancashire, BB1 9LJ

**Agent for Client:** AJH Associates

**Surveyor:** Phill Harris Chartered Arboriculturist  
**Survey Date:** 14 September 2018  
**Job Ref:** BTC1644

No.	Species	Height	Stem Diam.	Branch Spread	Branch & Canopy Clearances	Life Stage	PC	General Observations and Comments	Management Recommendations	ERC	Cat. Grade	RPA (m <sup>2</sup> )	RPA Radius (m)
T8	Common Lime	18	1x400 2x300 (ms)#	N 4 E 5 S 4 W 5	N/A 3	EM	G	<ul style="list-style-type: none"> <li>■ Growing in hedge on opposite side of compacted earth footpath next to stream.</li> <li>■ Not inspected in detail.</li> <li>■ Three stems evidently arise at ground level, although this could not be confirmed due to poor visibility of tree.</li> </ul>		20+	B1	154	7
T9	Common Lime	17	480#	N 4 E 5 S 3 W 4	N/A 4.5	EM	G	<ul style="list-style-type: none"> <li>■ Growing in hedge on opposite side of compacted earth footpath next to stream – note: path waterlogged at time of survey.</li> <li>■ Not inspected in detail.</li> <li>■ Moderately dense ivy to stem thereby significantly inhibiting inspection.</li> </ul>		20+	B1	104	5.76
T10	Common Lime	16	520#	N 4 E 5 S 4 W 3	N/A 2.5	EM	G	<ul style="list-style-type: none"> <li>■ Growing in hedge on opposite side of compacted earth footpath next to stream – note: path waterlogged at time of survey.</li> <li>■ Not inspected in detail.</li> <li>■ Number of well-established adventitious branches arise at ground level and area of dense adventitious growth up lower stem thereby significantly inhibiting inspection.</li> </ul>		20+	B1	122	6.24
T11	Common Lime	12	460#	N 5 E 5 S 3 W 3	N/A 2	EM	G	<ul style="list-style-type: none"> <li>■ Growing in hedge on opposite side of compacted earth footpath next to stream – note: path waterlogged at time of survey.</li> <li>■ Not inspected in detail.</li> <li>■ Number of adventitious branches arise at ground level thereby significantly inhibiting inspection.</li> <li>■ Highly biased crown east, as evidently cut back significantly from west in past.</li> </ul>		10+	C1	96	5.52
T12	Common Lime	17	2x400 (ts)#	N 4 E 4 S 4 W 4	N/A 2.5	EM	G	<ul style="list-style-type: none"> <li>■ Growing in hedge on opposite side of compacted earth footpath next to stream.</li> <li>■ Not inspected in detail.</li> <li>■ Very dense adventitious growth to lower stem thereby significantly inhibiting inspection.</li> </ul>		20+	B1	145	6.79
T13	Common Oak	15.5	490	N 4.5 E 4.5 S 4.5 W 4.5	6-N 2	EM	G	<ul style="list-style-type: none"> <li>■ No major structural defects visible at time of survey.</li> </ul>		40+	B1	109	5.88
T14	Aleppo Pine	15	440	N 5 E 3 S 3 W 5	1.7-SW 2	SM	M	<ul style="list-style-type: none"> <li>■ Minor stem lean and slightly biased crown west.</li> <li>■ Some foliar browning to lower north side of crown</li> </ul>		20+	B1	88	5.28

**TREE SURVEY SCHEDULE FOR ARBORICULTURAL CONSTRAINTS APPRAISAL**

**Site:** Pyethorn Meadows, 150 Whalley Road, Wipshire, Lancashire, BB1 9LJ

**Agent for Client:** AJH Associates

**Surveyor:** Phill Harris Chartered Arboriculturist

**Survey Date:** 14 September 2018

**Job Ref:** BTC1644

No.	Species	Height	Stem Diam.	Branch Spread	Branch & Canopy Clearances	Life Stage	PC	General Observations and Comments	Management Recommendations	ERC	Cat. Grade	RPA (m²)	RPA Radius (m)
G1	1no. Common Alder, 1no. Lime	≤ 16	≤ 350#	N ≤ 3 E ≤ 5 S ≤ 3 W ≤ 4	N/A ≥ 4.5	SM	G	<ul style="list-style-type: none"> <li>▪ Very closely spaced group growing in hedge on opposite side of compacted earth footpath next to stream.</li> <li>▪ Not inspected in detail.</li> </ul>		10+	C1	≤ 55	≤ 4.2
H1	Privet	≤ 1.5	N/A	≤ 1 wide	N/A 0	SM	G	<ul style="list-style-type: none"> <li>▪ Length of managed boundary hedge running along road frontage and eastern garden perimeter to footpath.</li> </ul>		10+	C1	N/A	≈ 1

## **DISCLAIMER**

**Survey Limitations:** Unless otherwise stated all trees are surveyed from ground level using non-invasive techniques. The disclosure of hidden crown and stem defects, in particular where they may be above a reachable height or where trees are ivy clad or in areas of ground vegetation, cannot therefore be expected. All obvious defects, however, are reported. Detailed tree safety appraisals are only carried out under specific written instructions. Comments upon evident tree safety relate to the condition of said tree at the time of the survey only.

Unless otherwise stated all trees should be re-inspected annually in order to appraise their on-going mechanical integrity and physiological condition. It should, however, be recognised that tree condition is subject to change, for example due to the effects of disease, decay, high winds, development works, etc. Changes in land use or site conditions (e.g. development that increases access frequency) and the occurrence of severe weather incidents are also significant considerations with regards tree structural integrity and trees should therefore be re-assessed in the context of such changes and/or incidents and inspected at intervals relative to identified and varying site conditions and associated risks.

Where trees are located wholly or partially on neighbouring private third-party land then said land is not accessed and our inspection is therefore restricted to what can reasonably be seen from within the site. Stem diameters of trees located on such land are estimated. Any subsequent comments and judgments made in respect of such trees are based on these restrictions and are our preliminary opinion only. Recommendations for works to neighbouring third-party trees are only made where a potentially unacceptable risk to persons and/or property has been identified during our survey. Where significant structural defects of third-party trees are identified and associated management works are considered essential to negate any risk of harm and/or damage then we will first attempt to inform the site occupier of the issues and, if not possible, then inform the relevant Council. Where a more detailed assessment is considered necessary then appropriate recommendations are set out in the Tree Survey Schedule.

Where tree stem locations are not included on the plan(s) provided then they are plotted at the time of the survey using, where appropriate and/or practicable, a combination of measurement triangulation and GPS co-ordination. Where this is not possible then locations are estimated. Restrictions in these respects are detailed in the report.

The tree survey and any report information provided is intended as a guide to identify key tree related constraints to site development only. As such, the potential influence of trees upon existing or proposed buildings or other structures resulting from the effects of their roots abstracting water from shrinkable load-bearing soils is not considered herein. The tree survey information in its current form should not therefore be considered sufficient to determine appropriate foundation depths for new buildings. Accordingly, an updated survey, with reference to the current NHBC Standards Chapter 4.2 - Building Near Trees, must therefore be prepared for the specific purpose of informing suitable foundation depths subsequent to planning approval being granted. The advice of a structural engineer must also be sought with regard to appropriate foundation depths for new buildings.

**Copyright & Non-Disclosure Notice:** The content and layout of this report are subject to copyright owned by Bowland Tree Consultancy Ltd, save to the extent that copyright has been legally assigned to us by another party or is used by Bowland Tree Consultancy Ltd under license. This report may not be copied or used without our prior written agreement for any purpose other than those indicated.

**Third Parties:** Any disclosure of this document to a third party is subject to this disclaimer. The report was prepared by Bowland Tree Consultancy Ltd at the instruction of and for use by our client, as named. This report does not in any way constitute advice to any third party who is able to access it by any means. Bowland Tree Consultancy Ltd excludes to the fullest extent lawfully permitted all liability whatsoever for any loss or damage arising from reliance on the contents of this report.

**Statutory Tree Protection:** It is the client's responsibility to check for the presence of any statutory tree protection measures, such as the site's location within a Conservation Area and/or the presence of any Tree Preservation Orders, directly with the applicable Council's planning department prior to scheduling or carrying out any tree works. In turn, it is also the client's responsibility to check for the need for a felling licence with the Forestry Commission prior to scheduling or carrying out any tree works. Bowland Tree Consultancy Ltd cannot be held responsible for any decisions made by the client to prune or remove trees where any such statutory protection exists.

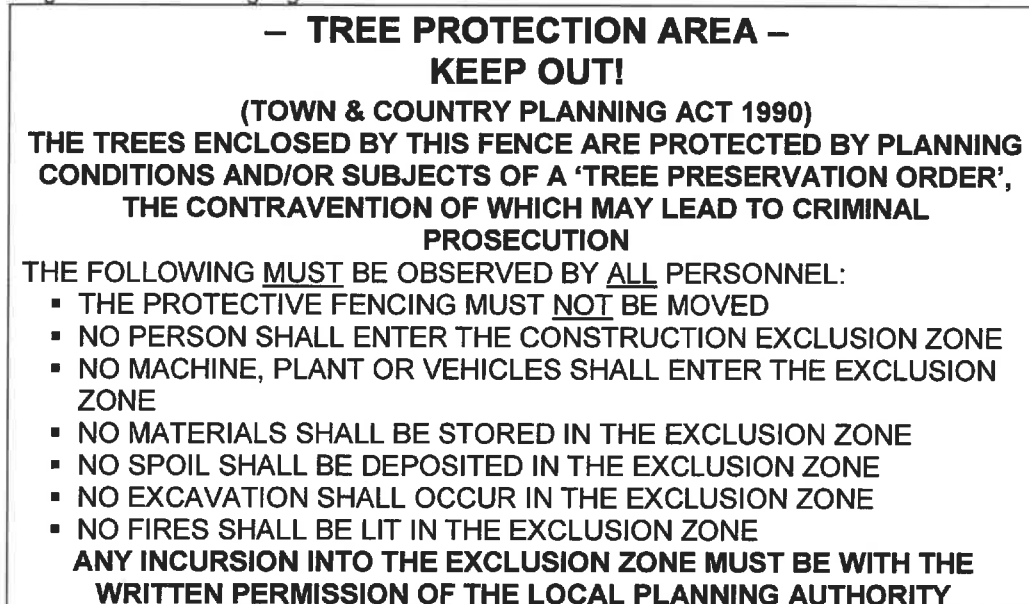


## - TEMPORARY PROTECTIVE FENCING & GROUND PROTECTION SPECIFICATION -

**Construction Exclusion Zones (CEZs)**, shall be enclosed by **Temporary Protective Fencing** and/or, where necessary, **Temporary Ground Protection Measures**. The fencing/ground protection Type(s), locations, and extents shall be agreed, in writing, with the Local Planning Authority (LPA). In turn, the **Temporary Protective Fencing** and/or **Temporary Ground Protection Measures** shall:

1. be constructed as in accordance with the Type 1, Type 2 or Type 3 'Temporary Protective Fencing Construction' sections and, where applicable the 'Temporary Ground Protection Measures' section, as detailed herein and agreed, in advance with the LPA;
2. be retained in place throughout the development process until completion of the project, and only removed following receipt of written permission from the LPA;
3. be sited in the area(s) defined by the Root Protection Areas on the associated Tree Impact Plan, or as the CEZs on the Tree Protection Plan;
4. be erected prior to any construction, demolition or excavation works and remain in place for the duration of the project;
5. preclude any delivery of site accommodation and/or materials and/or plant machinery;
6. preclude all construction related activity, with the sole exception of specified arboricultural works and any other works to be carried out under supervision that have been agreed by all parties;
7. preclude the storage of all development related materials and substances including fuels, oils, additives, cement and/or any other deleterious substance; and
8. be affixed with a 600mm x 300mm warning sign reading "TREE PROTECTION AREA KEEP OUT" (see Figure 1, below), at every 10.0 metre length of protective fencing.
9. Important: Any incursion into CEZs must be by prior arrangement, following consultation with the LPA.

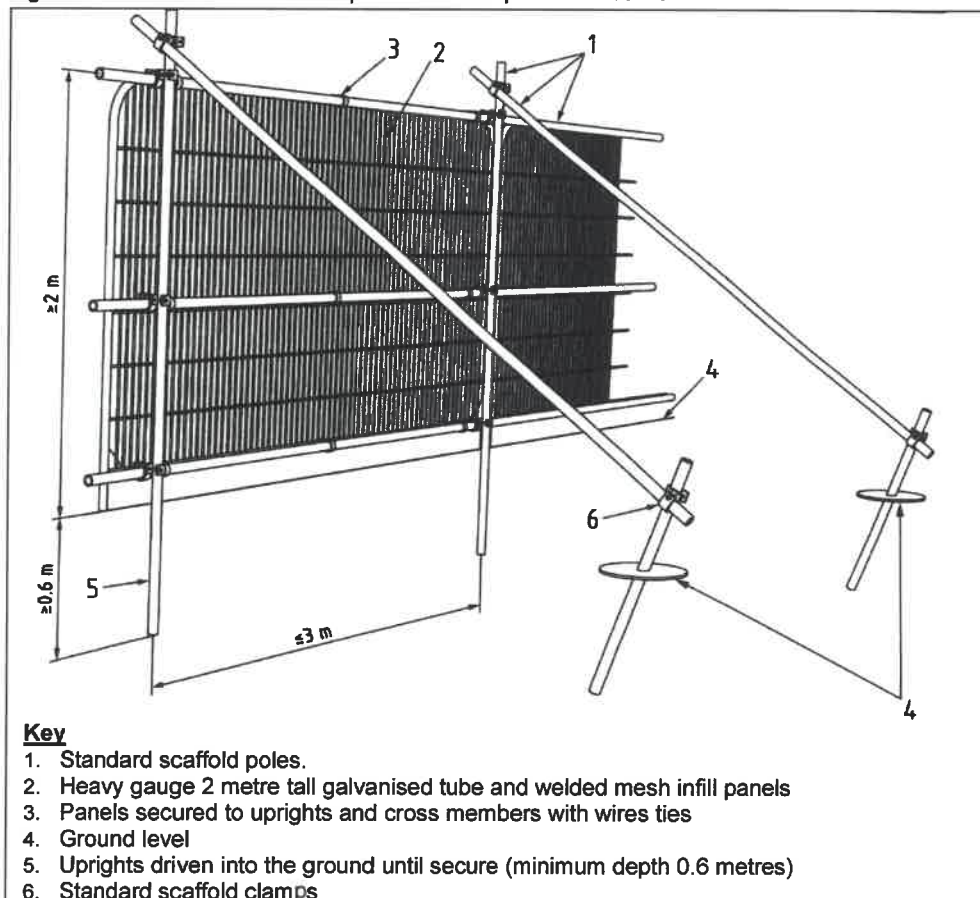
Figure 1: CEZ Warning Sign



**Type 1 (i.e. 'Default') Temporary Protective Fencing Construction (see Figure 2, below)**

1. Temporary protective fencing panels shall be weldmesh "Heras" panels of at least 2.0 metres in height.
2. The panels shall butt together and be securely fixed to a scaffold framework, as per points 3 to 5 of Figure 2, overleaf.
3. The scaffold framework shall comprise of upright poles of at least 3.0 metres in length driven no less than 0.6 metres into the ground at maximum 3.0 metre centres with horizontal and diagonal poles fixed to the uprights, as per points 4 to 5.
4. The two horizontal rail poles shall be attached to the uprights at heights of 0.6 and 1.8 metres with 3 no. clamps to each joint.
5. The diagonal scaffold pole struts be clamped to the top rail of the scaffold framework at a 45° angle and extend back into the CEZ and clamped to a 0.7 metre length of scaffold tube that shall be driven no less than 0.5m into the ground.
6. No fixing shall be made to any tree and all possible precautions shall be taken to prevent damage to tree roots when locating posts.
7. A 600mm x 300mm warning sign reading "TREE PROTECTION AREA KEEP OUT" (see Figure 1) shall be fixed to every 10.0 metre length of protective fencing.
8. On completion of erection, and prior to any demolition or construction works, site preparation, excavation or delivery of plant and materials, the Consulting Arboriculturist or the LPA Tree Officer, as agreed, shall inspect the Temporary Protective Fencing.

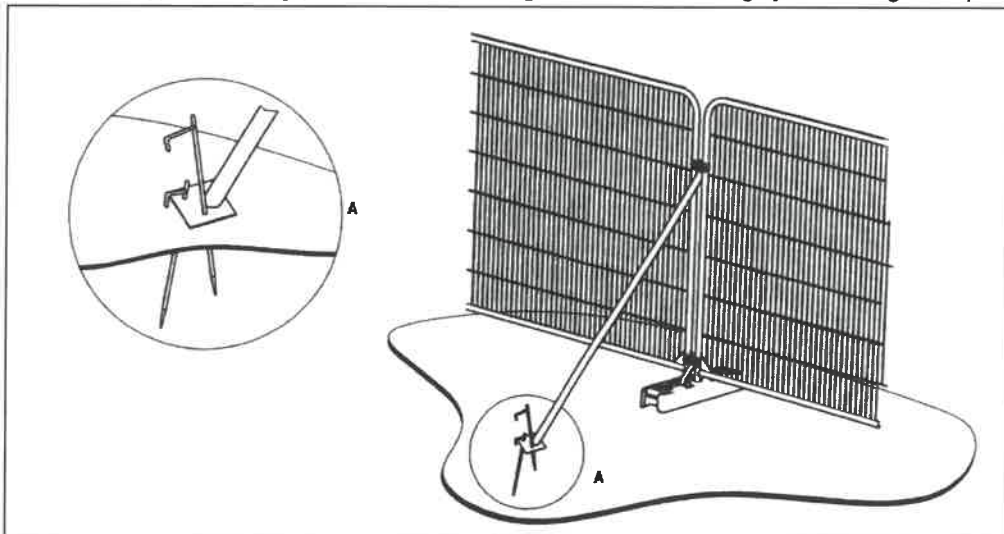
Figure 2: BS5837:2012 Default specification for protective barrier



### **Type 2 Temporary Protective Fencing Construction (see Figure 3(a), below)**

1. Temporary protective fencing panels shall be weldmesh "Heras" panels of at least 2.0 metres in height.
2. The panels shall stand on rubber or concrete feet.
3. The panels shall butt together, and be joined together using a minimum of two anti-tamper couplers, installed so that they can only be removed from inside the fence.
4. The distance between the fence couplers shall be at least 1.0 metre, and shall be uniform throughout the fence.
5. The panels shall be supported on the inner side by stabiliser struts, which shall be clamped to the scaffold framework at a 45° angle and extend back into the CEZ and shall be attached to a base plate, which shall be secured to the ground with pins (Figure 3a).
6. No fixing shall be made to any tree and all possible precautions shall be taken to prevent damage to tree roots when locating posts.
7. A 600mm x 300mm warning sign reading "TREE PROTECTION AREA KEEP OUT" (see Figure 1) shall be fixed to every 10.0 metre length of protective fencing.
8. On completion of erection, and prior to any demolition or construction works, site preparation, excavation or delivery of plant and materials, the Consulting Arboriculturist or the LPA Tree Officer, as agreed, shall inspect the Temporary Protective Fencing.

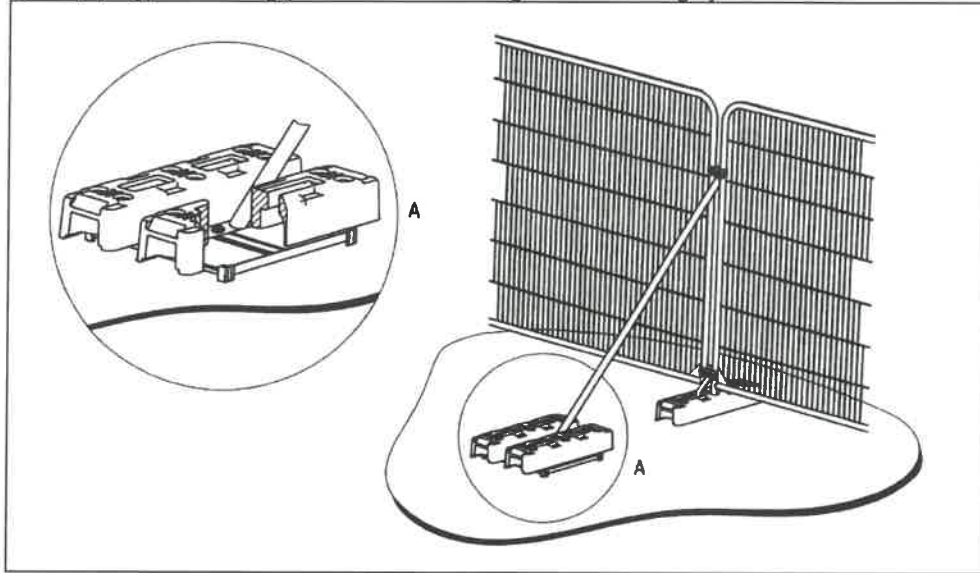
Figure 3(a): Type 2 Fencing (BS5837:2012 above-ground strut stabilising system with ground pins)



### **Type 3 Temporary Protective Fencing Construction (see Figure 3(b), overleaf)**

1. Temporary protective fencing panels shall be weldmesh "Heras" panels of at least 2.0 metres in height.
2. The panels shall stand on rubber or concrete feet.
3. The panels shall butt together, and be joined together using a minimum of two anti-tamper couplers, installed so that they can only be removed from inside the fence.
4. The distance between the fence couplers shall be at least 1.0 metre, and shall be uniform throughout the fence.
5. The panels shall be supported on the inner side by stabiliser struts, which shall be clamped to the scaffold framework at a 45° angle and extend back into the CEZ and shall be attached to a block tray base (Figure 3b).
6. No fixing shall be made to any tree and all possible precautions shall be taken to prevent damage to tree roots when locating posts.
7. A 600mm x 300mm warning sign reading "TREE PROTECTION AREA KEEP OUT" (see Figure 1) shall be fixed to every 10.0 metre length of protective fencing.
8. On completion of erection, and prior to any demolition or construction works, site preparation, excavation or delivery of plant and materials, the Consulting Arboriculturist or the LPA Tree Officer, as agreed, shall inspect the Temporary Protective Fencing.

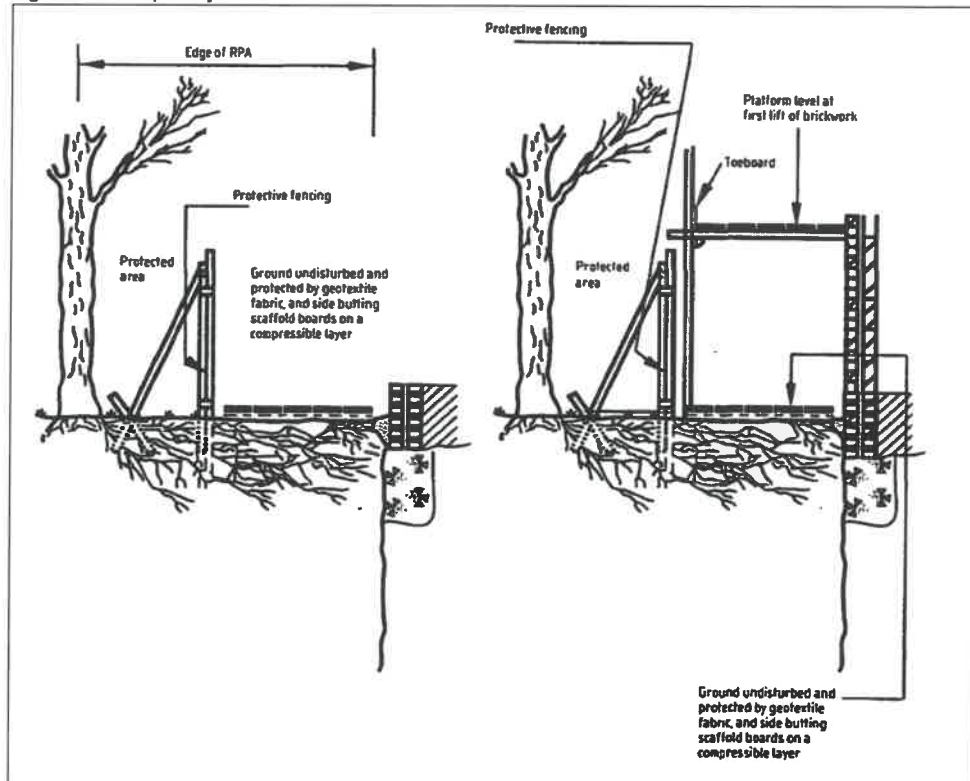
Figure 3(b): Type 3 Fencing (BS5837:2012 above-ground stabilising system with strut on block tray)



### Temporary Ground Protection

1. Any necessary Temporary Ground Protection areas shall conform to Figure 4, below, unless otherwise agreed with the LPA.
2. The Ground Protection Area shall be left undisturbed and covered by a semi-permeable geotextile membrane which shall, in turn, be covered by a compressible layer consisting of a material such as woodchip.
3. Side-butting scaffold boards shall then be fitted to cover the Ground Protection Area.
4. On completion of installation, and prior to any demolition or construction works, site preparation, excavation or delivery of plant and materials, the Consulting Arboriculturist or the LPA Tree Officer, as agreed, shall inspect the Temporary Ground Protection.
5. The Temporary Ground Protection shall remain in place until completion of the project and only removed following receipt of written permission from the LPA.

Figure 4: Temporary Ground Protection – Recommended Construction



**KEY**

- T = Individual Tree
- G = Group of Trees
- H = Hedge

Please refer to associated Tree Survey Schedule and associated appendices for specific details in respect of items below:

**Tree Categories/Status:**

Those to be Considered for Retention:

- Category 'A' Tree/Group/Hedge  
Those of a High Quality with an Estimated Remaining Life Expectancy of at Least 40 Years
- Category 'B' Tree/Group/Hedge  
Those of a Medium Quality with an Estimated Remaining Life Expectancy of at Least 20 Years
- Category 'C' Tree/Group/Hedge  
Those of a Low Quality with an Estimated Remaining Life Expectancy of at Least 10 Years or Young Trees

Those Considered Unlikely for Retention:

- Category 'D' Tree/Group/Hedge  
Those of a Low Quality with an Estimated Remaining Life Expectancy of at Least 10 Years or Young Trees

Note: The tree stem locations were not included on the Ordnance Survey (see plan) provided, and were derived from a site visit on 11/09/2018. The location of the survey, with GPS and, where possible, an accurate 20m grid, is shown on the plan. As such, the locations of the trees cannot be guaranteed to be entirely accurate.

**RPA's**

As indicated on the plan, the RPA's are provided to show the Development Works with Protective Fencing to form a Construction Exclusion Zone - see Appendix 1 (Protective Fencing Specifications)

**Project:**  
PYETHORN MEADOWS  
150 WHALLEY ROAD  
WILPSHIRE  
LANCASHIRE  
BB1 9LJ

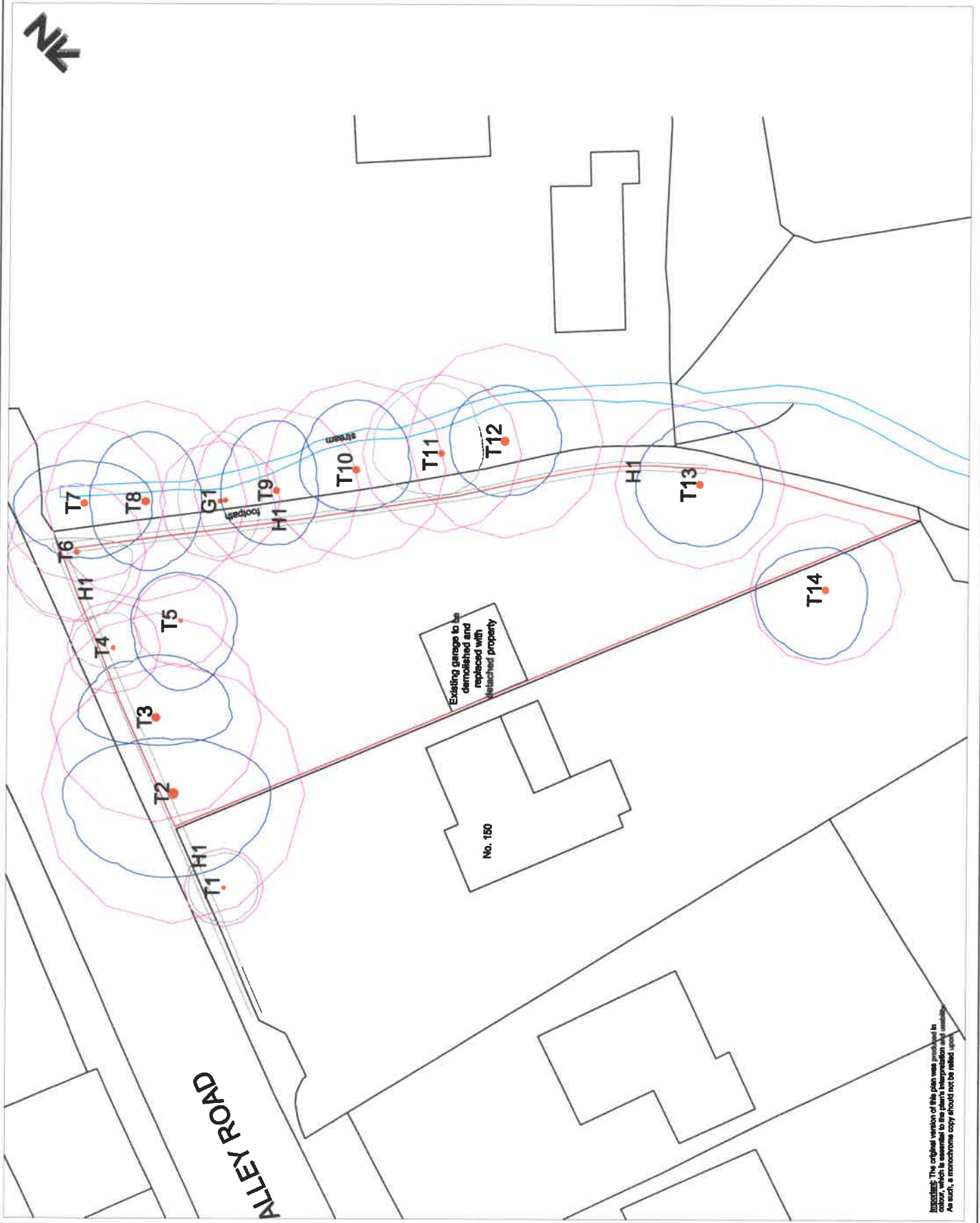
**Agent for Client:**  
A.J.H ASSOCIATES

**Title:**  
TREE CONSTRAINTS PLAN  
in relation to Proposed Construction of Detached Residential Property

**Scale:** 1:250@A3  
**Date:** September 2018  
**Drawn by:** PH  
**Checked by:** RG



Ref: BTC1844-TCP Rev:



**Important:** The original version of this plan was provided in hard copy to the client on 11/09/2018. As such, a monochrome copy should not be relied upon.