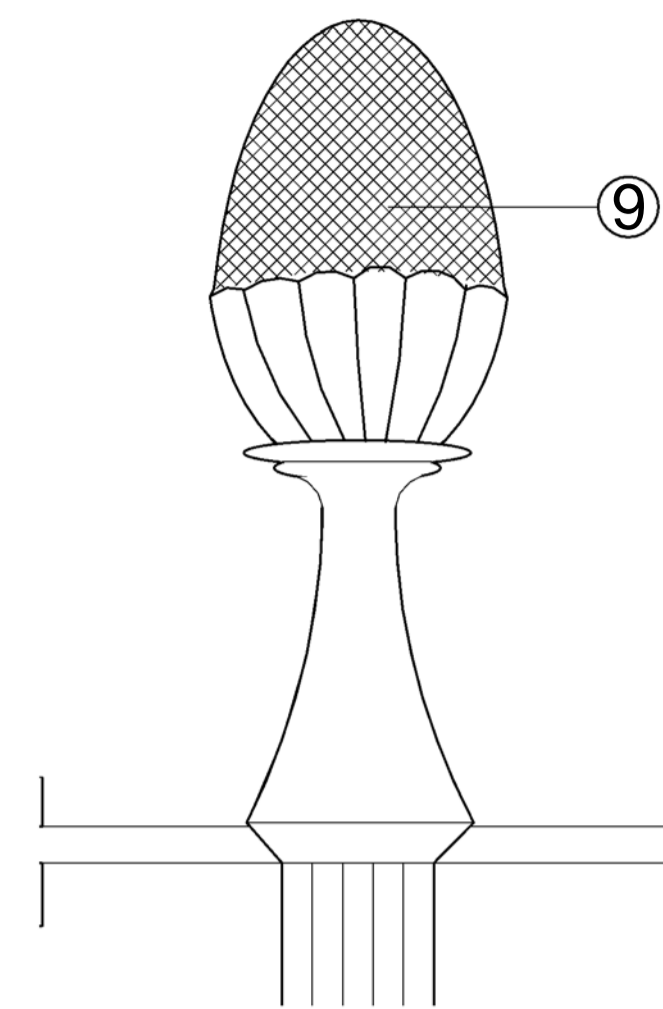
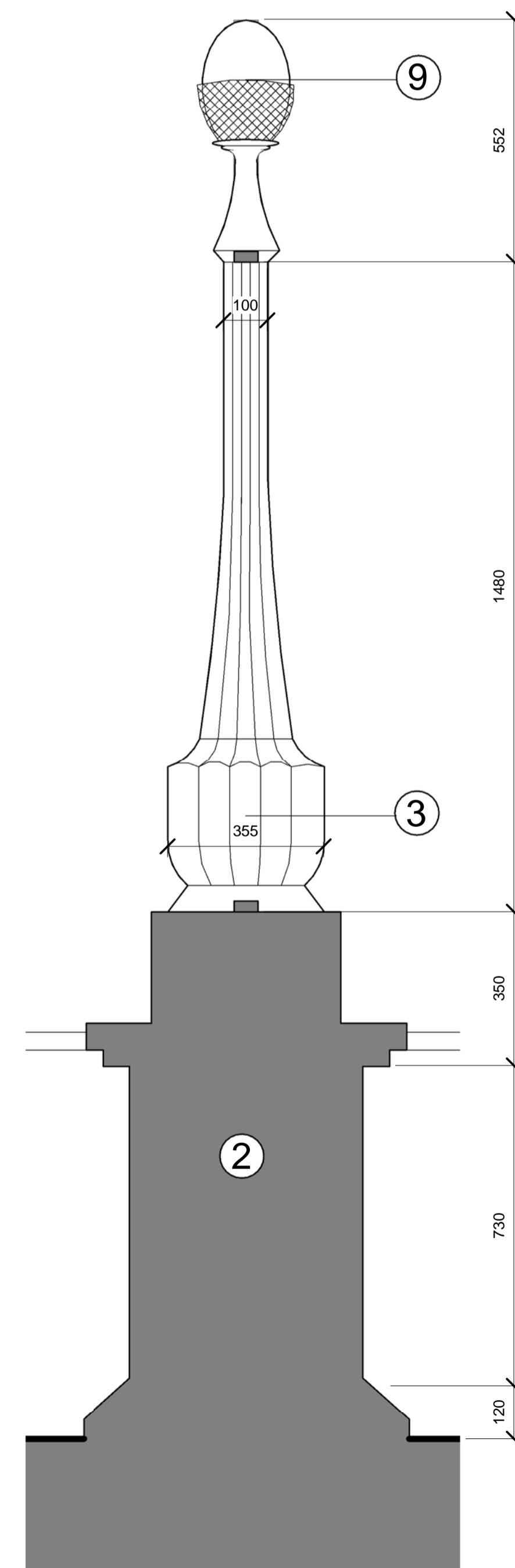


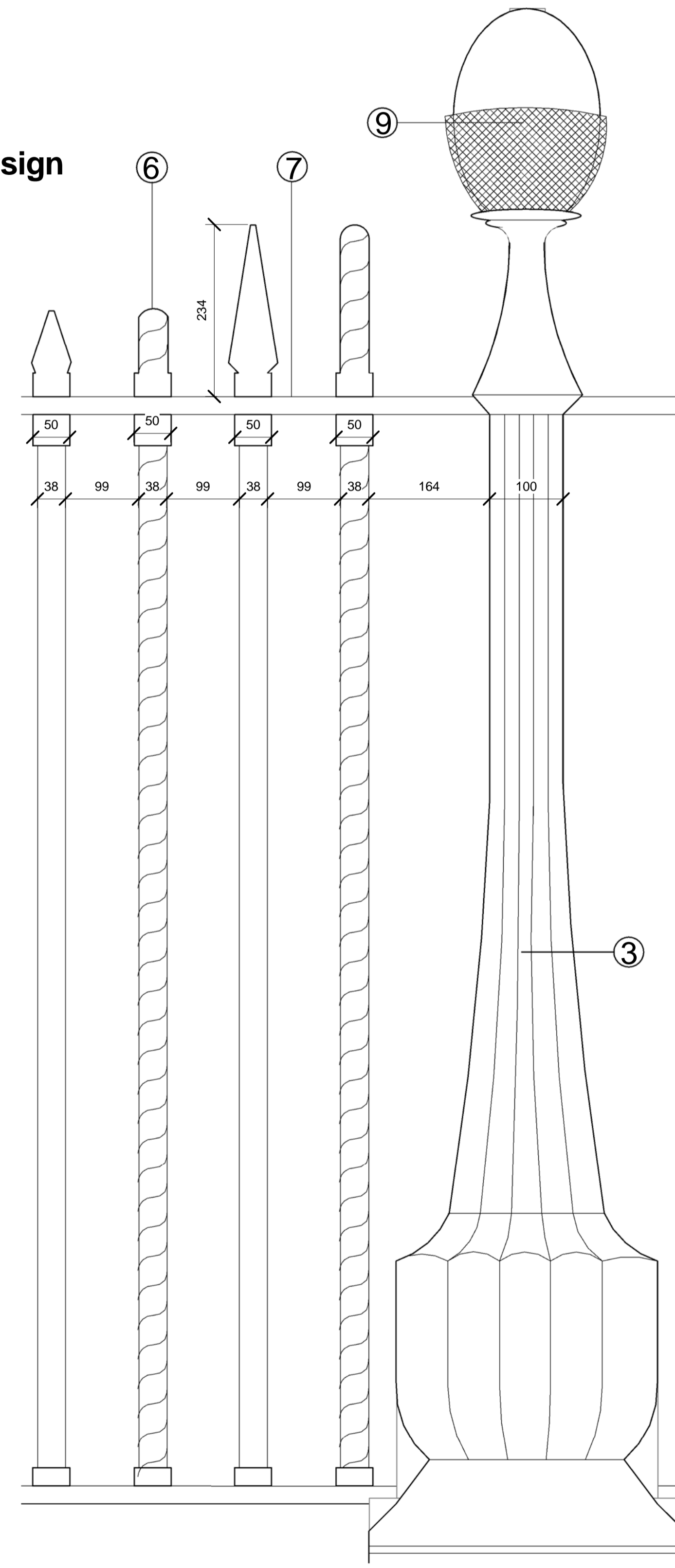
1 Proposed Typical Bay Arrangement



4 Proposed Detail 02 - Cone design
1 : 5



2 Pilaster Detail Section
1 : 10

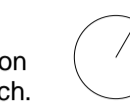


3 Proposed Detail 01 - Acorn design
1 : 5

Notes

1. Do not scale this drawing.
2. All dimensions must be checked on site and any discrepancies verified with the architect.
3. Unless shown otherwise, all dimensions are to structural surfaces.
4. Drawing to be read with all other issued information. Any discrepancies to be brought to the attention of the architect.
5. This drawing is the copyright of Levitt Bernstein and may not be copied, altered or reproduced in any form, or passed to a third party without license or written consent.

This is not a construction drawing, it is unsuitable for the purpose of construction and must on no account be used as such.



General Notes

Drawings of the existing building are based on third-party survey drawings and we cannot guarantee the accuracy of this information. As such all dimensions should be checked on site prior to construction.
ALL DIMENSIONS TO BE CONFIRMED ON SITE

Existing features:

1. Existing Pavilion / Gazebo
2. Existing wall - brickwork with base and head stonework detailing
3. Existing stone pilasters within brickwork wall with feature stone acorn and cone finials
4. Missing stone pilasters
5. Missing stone finials

Proposed works:

6. Proposed reproduction of timber barley twist railings
7. Proposed reproduction of horizontal support bars for timber barley twist railings
8. Proposed reproduction of stone pilasters
9. Proposed reproduction of feature stone finials (Acorns and cone designs). For reproductions, repairs and reinstatement refer to outline specification

Rev	Date	Description	Initials

Project name

Stonyhurst Masterplan
Clairvoie & Observatory Roof Works

Drawing number

3477 - DR - 1103

Drawing

Proposed Details

Purpose of issue: For comment
Date: 06/14/18

Scale: As indicated @ A1
Drawn: SM

Client: The Governor's of Stonyhurst College
Checked: KGF

Levitt Bernstein
levittbernstein.co.uk

London
1 Kingsland Passage
London E8 2BB
+44 (0)20 7275 7676

Manchester
3rd HQ Building
2 Atherton Street
Manchester M3 3GS
+44 (0)16 1669 8740