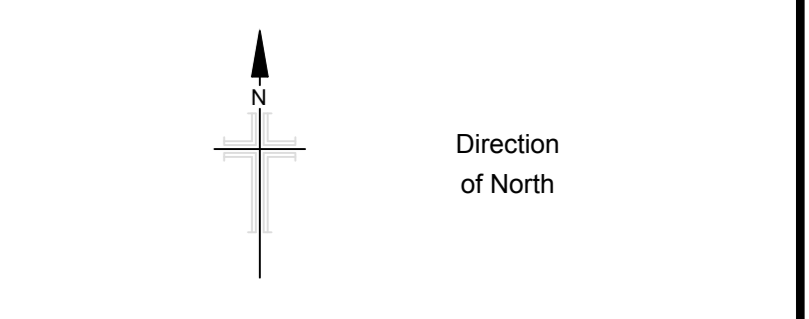


**Notes**  
 This drawing and the information contained therein is issued in confidence and is the copyright of Met Geo Environmental Limited. Disclosure of this information to Third Parties and unauthorised copying or replication of this data without approval is forbidden.

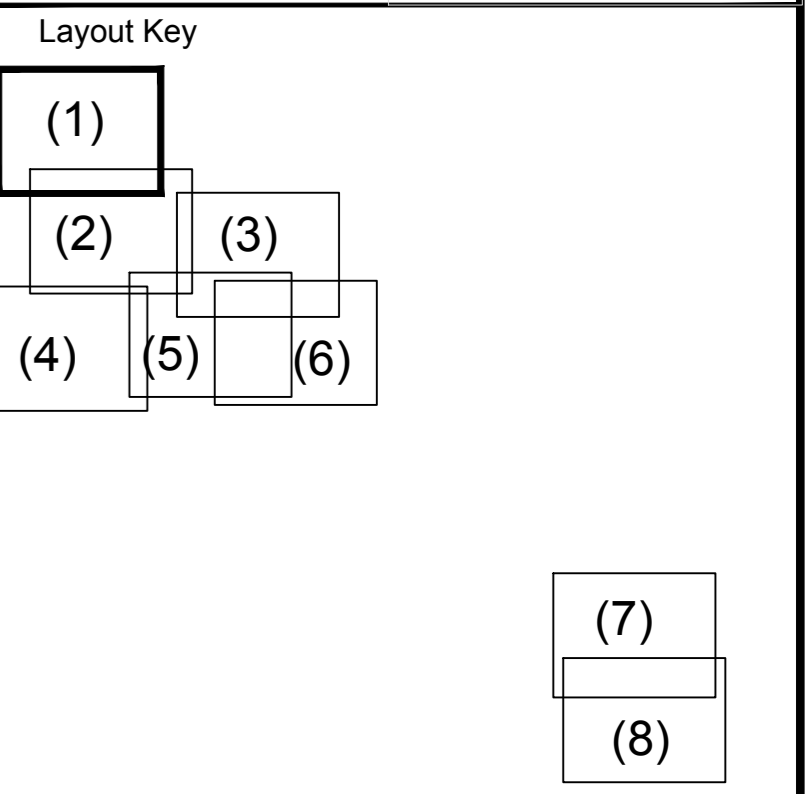


**Grid** : OS National Grid.  
 Using the OS GPS Network and applying OSTN02 transformation and then removing the scale factor for true distances with a one-step transformation centred on S1

**Datum** : OS Level Datum  
 Using the OS GPS Network and applying OSGM02 National Geoid Model to obtain local area corrections.

**Station Listing**

Station	Easting	Northing	Level	HT	361950.011	443485.245	126.610
B1	361990.372	443602.341	117.503	H2	361997.595	443503.524	125.139
B2	361971.395	443509.866	117.529	H3	362005.183	443470.283	123.654
B3	362019.442	443558.684	116.527	H4	362077.182	443519.612	119.661
B4	362023.003	443451.255	117.744	H5	362050.056	443426.188	122.633
B5	362037.408	44354.4971	115.956	H6	362074.509	443445.676	122.622
B6	362047.575	443502.2491	115.201	H7	362118.820	443388.847	120.606
B7	362068.296	443522.894	115.522	H8	362152.995	443410.950	120.763
B8	362082.743	443512.481	115.075	H9	362172.576	443416.589	121.211
B9	362108.919	443538.371	114.963	H0	362227.116	443379.120	118.349
B10	362128.038	443528.220	114.628	H1	362155.044	443416.589	121.211
B11	362159.299	443554.740	115.077	L1	361974.923	443577.202	119.790
B12	362174.602	443511.130	115.789	L2	361975.220	443507.668	120.186
B13	362167.332	443463.254	113.246	S1	362009.053	443588.846	119.606
B14	362146.002	443455.654	113.837	S2	362035.290	443531.814	118.709
B15	362159.319	443423.230	113.537	S3	362053.462	443503.953	117.391
B16	362162.784	443470.703	113.066	S4	362112.022	443540.124	117.660
B17	362218.398	443435.061	113.081	S5	362087.789	443563.880	117.647
B18	362262.137	443431.485	113.365	S6	362059.886	443561.615	117.863
C1	362076.815	443519.790	117.419	S7	362034.576	443581.726	118.532
C2	362159.823	443505.854	115.826	S8	362007.396	443513.548	119.112
C3	362133.182	443462.962	115.629	S9	361982.558	443503.424	121.502
C4	362075.877	443481.884	115.808	S10	361984.494	443526.674	121.942
C5	362033.938	443531.582	117.738	S11	361974.494	443526.674	121.942
C6	362048.697	443471.662	117.806	S12	361975.220	443507.668	120.186
C7A	362140.256	443465.723	115.546	S13	361989.133	443518.600	121.139
C7B	362090.370	443471.626	115.738	S14	361975.220	443507.668	120.186
C7C	362105.790	443468.622	115.702	S15	361986.550	443588.465	119.152
C7D	362118.063	443460.075	115.665	S16	361986.550	443588.465	119.152
C7E	361947.848	443468.546	126.086	S17A	361980.249	443518.554	122.460
C7F	361993.037	443495.026	125.968	S18	361982.558	443588.465	119.152
C7G	361918.678	443524.885	130.950	S19	361982.558	443588.465	119.152
C7H	361843.469	443472.655	131.027	S20	361975.220	443507.668	120.186
C7I	361968.879	443461.061	124.606	S21	362042.089	443516.163	117.465
C7J	361987.119	443519.175	124.878	S22	362027.344	443562.892	117.119
C7K	361984.566	443571.970	121.391	S23	362003.833	443583.301	118.509
C7L	361990.584	443507.899	124.878	S24	362027.344	443562.892	117.119
C7M	362013.381	443503.325	118.301	S25	362003.026	443519.802	120.208
C7N	361905.220	443460.700	130.944	T1	362118.820	443507.668	120.186
C7O	361965.540	443464.165	130.939	T2	362118.820	443507.668	120.186
C7P	361940.426	443471.021	130.961	T3	362118.820	443507.668	120.186
C7Q	361906.552	443448.104	132.884	T4	362118.820	443507.668	120.186
C7R	361904.389	443387.146	131.783	T5A	362008.731	443600.108	120.006
C7S	361903.753	443480.011	129.494	T6A	362227.351	443480.015	119.840
C7T				K1	362058.498	443517.778	120.621
C7U				K2	362064.599	442949.978	102.247
C7V				K3	362058.827	443008.992	102.730



**KEY**

▲	AIR VALVE	▲	W	○	W
▲	BRUSH MARK	▲	W	▲	W
▲	BN	▲	W	▲	W
▲	BOLLARD	▲	W	▲	W
▲	BONE HOLE	▲	W	▲	W
▲	BRITISH TELECOM COVER	▲	W	▲	W
▲	BUS STOP	▲	W	▲	W
▲	CABLE TV COVER	▲	W	▲	W
▲	CABLE TV SUPPLY	▲	W	▲	W
▲	COLUMN	▲	W	▲	W
▲	EARTHING POINT	▲	W	▲	W
▲	ELECTRICITY COVER	▲	W	▲	W
▲	ELECTRICITY POLE	▲	W	▲	W
▲	FIRE HYDRANT	▲	W	▲	W
▲	GAS VALVE	▲	W	▲	W
▲	GATE	▲	W	▲	W
▲	INSPECTION COVER (CIRCULAR)	▲	W	▲	W
▲	INSPECTION COVER (RECTANGULAR)	▲	W	▲	W
▲	COVER LEVEL	▲	W	▲	W
▲	INVERT LEVEL	▲	W	▲	W
▲	INVERSE TO BEAR	▲	W	▲	W
▲	DEPTH OF TREE TRUNK	▲	W	▲	W
▲	HEIGHT TO TOP OF TREE CANOPY	▲	W	▲	W

D	31/10/16	DB	Reverted to 3D	DA
A	20/05/2013	KZ	Additional area surveyed.	DA
Rev	Date	Drawn	Description	Check

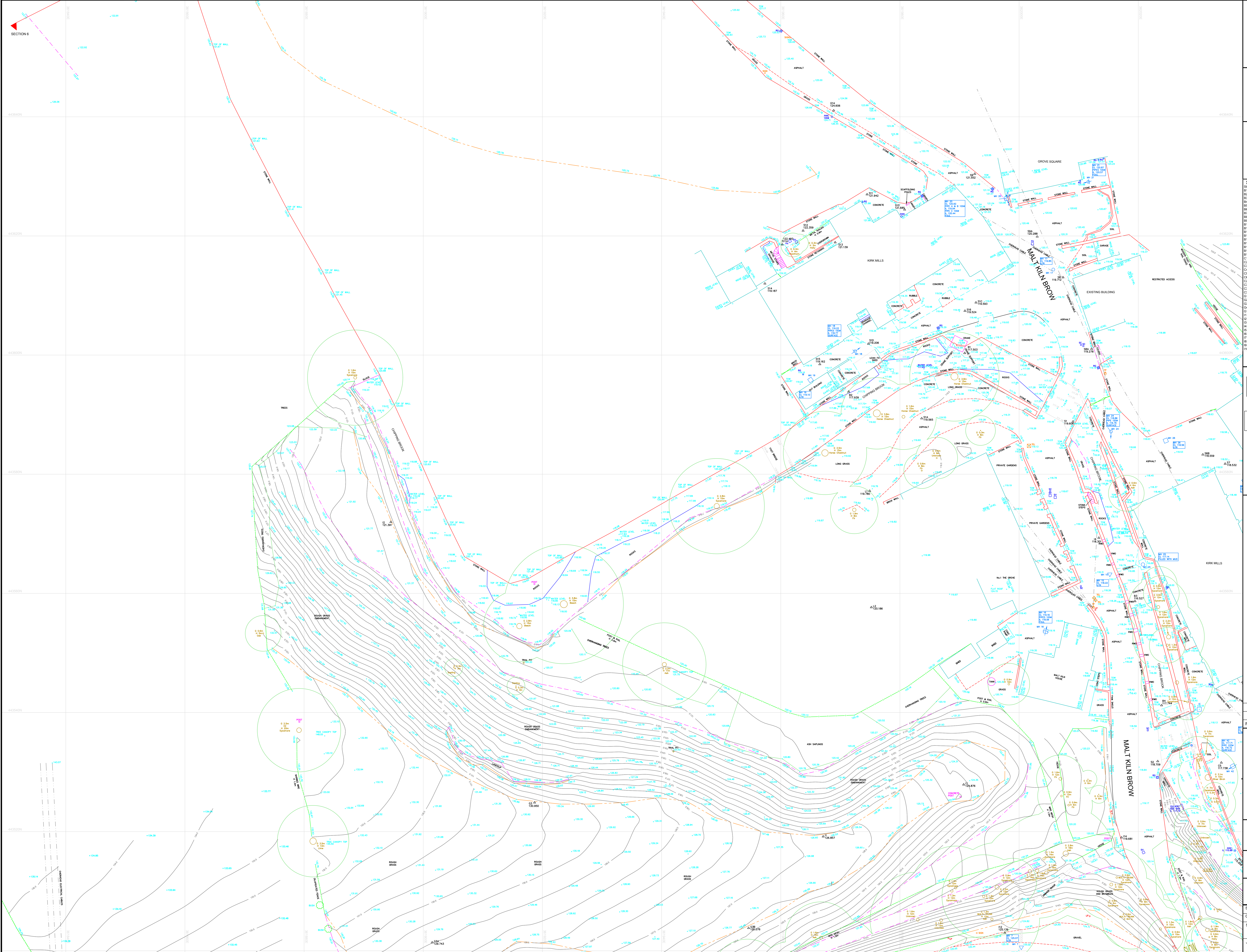
Southgate House  
 Pontefract Road T: +44 (0) 1132 008 909  
 Stourton F: +44 (0) 1132 008 901  
 Leeds E: admin@metgeoenvironmental.com  
 West Yorkshire W: www.metgeoenvironmental.com  
 LS10 1SW

**Client**  
 Tili Assett Management LLP

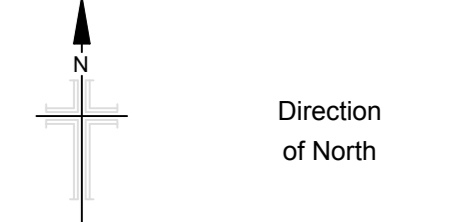
**Site**  
 HJ BERRY & SONS, KIRK MILLS,  
 CHIPPING, PRESTON

**Title**  
 TOPOGRAPHICAL SURVEY  
 2D

Surveyed	CC IG	Drawn	CC IG
Chk.	DA	Date	11/07/2011
Scale	1/200	DWG Ref (Layout No)	12624-108-2_DTD (1)
Job No	12624-108-2	Rev	D



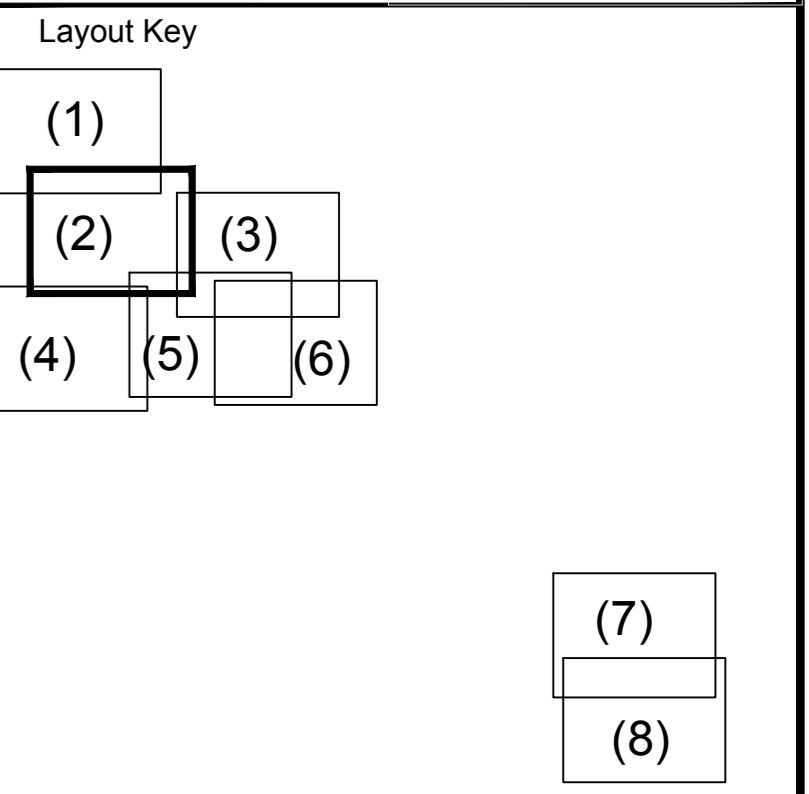
Notes  
 This drawing and the information contained therein is issued in confidence and is the copyright of Met Geo Environmental Limited. Disclosure of this information to Third Parties and unauthorised copying or replication of this data without approval is forbidden.



Grid : OS National Grid.  
 Using the OS GPS Network and applying OSTN02 transformation and then removing the scale factor for true distances with a one-scale transformation centred on S1  
 Datum : OS Level Datum  
 Using the OS GPS Network and applying OSGM02 National Geoid Model to obtain local area corrections.

Station Listing

Station	Easting	Northing	Level	Station	Easting	Northing	Level
B1	361990.712	443603.341	117.503	H1	361995.011	443485.245	126.610
B2	361991.396	443599.868	117.529	H2	361997.599	443503.024	125.139
B3	362019.442	443558.688	116.527	H4	362077.185	44319.012	119.681
B4	362023.603	443541.255	117.744	H5	362078.056	44346.188	122.433
B5	362037.408	44354.4971	115.958	H6	362074.509	443445.476	122.622
B6	362047.375	443561.150	115.819	H7	362118.820	443388.847	120.608
B7	362068.296	443522.894	115.522	H8	362152.999	443410.950	120.713
B8	362082.743	443501.249	115.251	H9	362197.878	443416.589	121.121
B9	362108.979	443528.371	114.963	H10	362227.116	443379.120	118.349
B10	362128.038	443528.229	114.628	H11	362194.924	443577.202	119.790
B11	362159.299	44354.740	115.077	L1	361974.520	443507.668	120.186
B12	362169.602	443511.138	115.789	L2	362009.053	443588.446	119.606
B13	362167.332	443483.254	113.246	S1	362009.053	443588.446	119.606
B14	362166.002	443459.654	113.008	S2	362009.053	443588.446	119.606
B15	362169.319	443493.230	113.037	S3	362009.053	443588.446	119.606
B16	362169.784	443476.765	113.006	S4	362009.053	443588.446	119.606
B17	362218.398	443433.081	113.081	S5	362009.053	443588.446	119.606
B18	362282.137	443431.485	113.365	S6	362009.053	443588.446	119.606
C1	362076.815	443519.796	117.419	S7	362004.578	443581.735	118.532
C2	362159.823	443505.854	115.839	S8	361992.599	443581.735	118.532
C3	362133.182	443482.992	115.629	S9	361994.494	443526.674	121.942
C4	362075.877	443481.884	115.808	S10	361994.494	443526.674	121.942
C5	362033.938	44351.582	117.738	S11	361994.494	443526.674	121.942
C6	362048.687	44351.662	115.738	S12	361997.333	443507.604	119.837
C7A	362140.296	443465.723	115.546	S13	361993.131	443518.600	121.139
C7B	362090.370	443471.928	115.738	S14	361997.333	443507.604	119.837
C7C	362105.790	443468.622	115.730	S15	361996.590	443588.446	119.606
C7D	362118.063	443468.075	115.668	S16	361997.333	443507.604	119.837
C7E	362141.248	443468.546	123.098	S17A	361993.249	443518.554	122.460
C7F	361993.287	443505.854	123.029	S18	361992.599	443581.735	118.532
C7G	361918.878	443524.888	133.950	S19	361992.791	443508.818	119.593
C7H	361943.489	443472.655	131.027	S20	362001.244	443582.662	117.719
C7I	361968.879	443461.081	124.806	S21A	362002.089	443516.163	117.465
C7J	361987.119	443519.175	121.827	S22	362001.244	443582.662	117.719
C7K	361994.566	443571.979	121.391	S23	362002.833	443583.301	118.509
C7L	361990.594	443571.975	124.876	S24	362001.244	443582.662	117.719
C7M	362013.381	44359.325	118.304	S25A	362003.026	443519.892	120.208
C7N	361908.220	443484.708	133.938	T1	362190.478	443500.007	120.318
C7O	361860.426	443471.025	133.991	T2	362190.478	443500.007	120.318
C7P	361906.552	443484.104	133.884	T3	362190.478	443500.007	120.318
C7Q	361904.389	443487.146	131.783	T4A	362007.731	443600.108	120.006
C7R	361903.753	443480.011	129.484	T4A	362227.357	443480.015	119.840
K1				K1	362008.498	443517.738	119.821
K2				K2	362064.599	442949.978	102.217
K3				K3	362088.627	443008.992	102.730



KEY

AIR VALVE	AV	ROOF DRAIN	RD	ROOF DRAIN	RD
ARCH MARK	AM	SEWER	SE	SEWER	SE
BENCH MARK	BM	SEWER MANHOLE (CIRCULAR)	SMC	SEWER MANHOLE (CIRCULAR)	SMC
BRN	BRN	SEWER MANHOLE (RECTANGULAR)	SMR	SEWER MANHOLE (RECTANGULAR)	SMR
BOLLARD	B	SEWER MANHOLE (TRIANGULAR)	SMT	SEWER MANHOLE (TRIANGULAR)	SMT
BONE HOLE	BH	SIGN POST	SP	SIGN POST	SP
BRITISH TELECOM COVER	BTC	ROAD DRAIN	RD	ROAD DRAIN	RD
BUS STOP	BS	ROAD GULLY	RG	ROAD GULLY	RG
CABLE TV COVER	CVC	ROOFING FLE	RF	ROOFING FLE	RF
CABLE TV SUPPLY	CVS	SON POST	SP	SON POST	SP
COLUMN	C	TELECOM COVER	TC	TELECOM COVER	TC
EARTHING POINT	EP	TELECOM POLE	TP	TELECOM POLE	TP
ELECTRICITY COVER	EC	THRESHOLD LEVEL	TL	THRESHOLD LEVEL	TL
ELECTRICITY POLE	EP	TRAFFIC LIGHT	TR	TRAFFIC LIGHT	TR
FIRE HYDRANT	FH	TRIAL PIT	TP	TRIAL PIT	TP
GAS VALVE	GV	WASH OUT	WO	WASH OUT	WO
GATE	G	WATER METER	WM	WATER METER	WM
INSPECTION COVER (CIRCULAR)	IC	WATER STOP COOK	WSC	WATER STOP COOK	WSC
INSPECTION COVER (RECTANGULAR)	ICR	WATER STOP VALVE	WSV	WATER STOP VALVE	WSV
COVER LEVEL	CL	CHAMBER BASE LEVEL	CB	CHAMBER BASE LEVEL	CB
DEPTH LEVEL	DL	WATER SURFACE LEVEL	WSL	WATER SURFACE LEVEL	WSL
DRYING TO RISE	DR	CHAMBER TO RISE	CTR	CHAMBER TO RISE	CTR
DEPTH OF TREE TRUNK	DT	DIAMETER OF TREE TRUNK	DT	DIAMETER OF TREE TRUNK	DT
HEIGHT TO TOP OF TREE CANOPY	HT	MULTI BOLT TREE	MT	MULTI BOLT TREE	MT

Rev	Date	Drawn	Description	Check
A	20/05/2013	KZ	Additional area surveyed.	DA

**Met**  
 GEO ENVIRONMENTAL

Southgate House  
 Pontefract Road  
 Stourton  
 Leeds  
 West Yorkshire  
 LS10 1SW

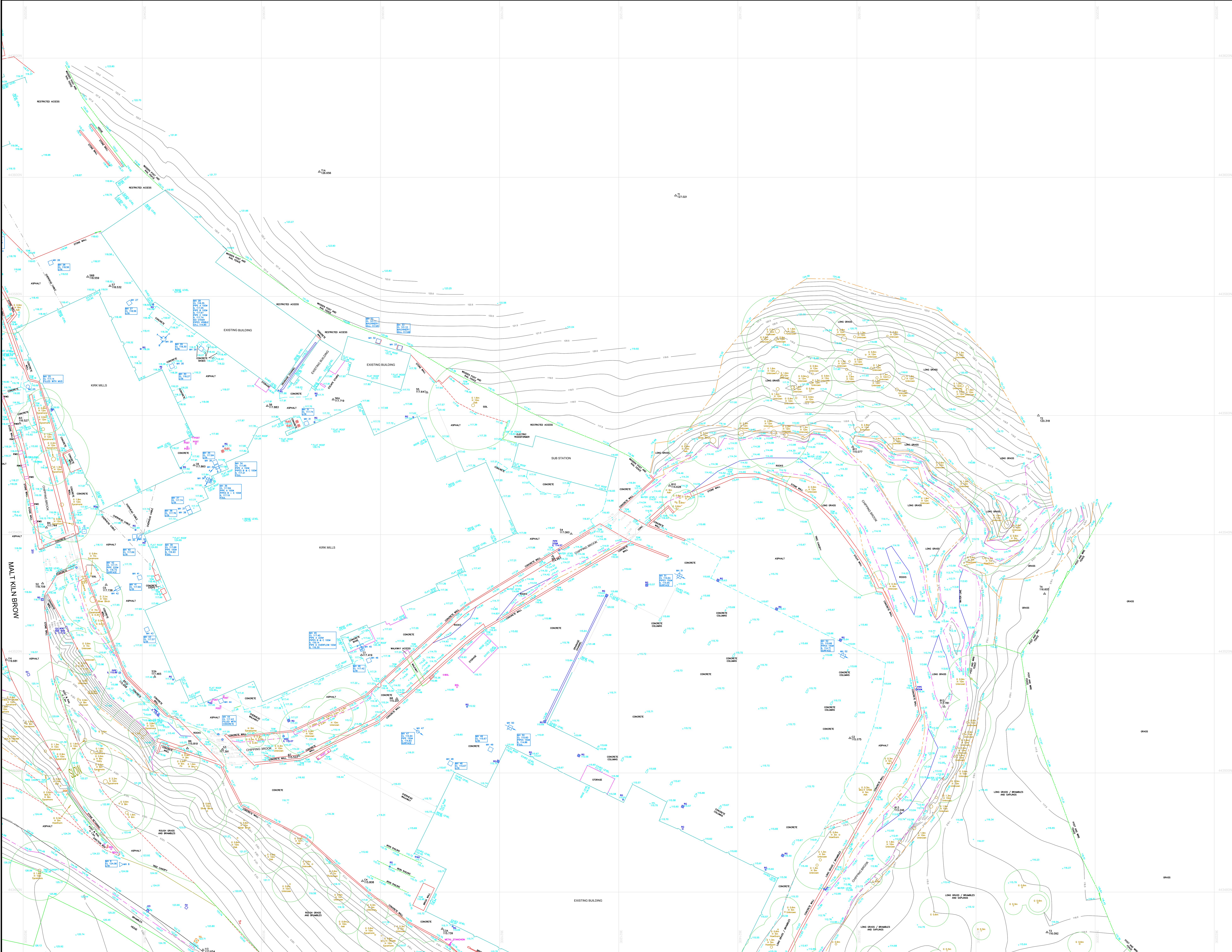
T: +44 (0) 1132 008 909  
 F: +44 (0) 1132 008 901  
 E: admin@metgeoenvironmental.com  
 W: www.metgeoenvironmental.com

Client: Till Assett Management LLP

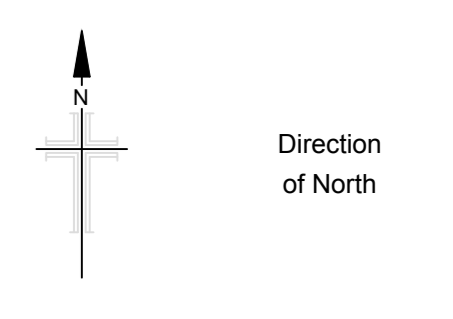
Site: HJ BERRY & SONS, KIRK MILLS, CHIPPING, PRESTON

Title: TOPOGRAPHICAL SURVEY 2D

Surveyed	CC IG	Drawn	CC IG
Chk.	DA	Date	11/07/2011
Scale	1/200	DWG Ref (Layout No)	12624-108-2_2DT (2)
Job No	12624-108-2	REV	D



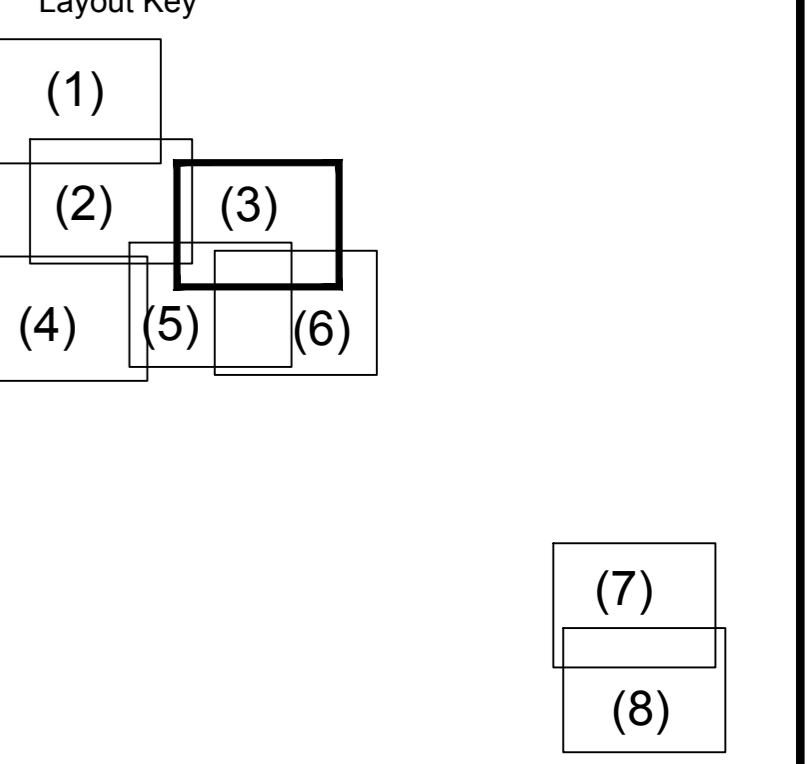
**Notes**  
 This drawing and the information contained therein is issued in confidence and is the copyright of Met Geo Environmental Limited. Disclosure of this information to Third Parties and unauthorised copying or replication of this data without approval is forbidden.



**Grid** : OS National Grid.  
 Using the OS GPS Network and applying OSTN02 transformation and then removing the scale factor for true distances with a one-step transformation centred on S1  
**Datum** : OS Level Datum  
 Using the OS GPS Network and applying OSGM02 National Geoid Model to obtain local area corrections.

**Station Listing**

Station	Easting	Northing	Level	11	10	11
B1	361990.72	443603.34	117.50	12	361997.59	443603.02
B2	361997.39	443603.86	117.50	13	362000.18	443602.83
B3	362019.44	443608.88	118.57	14	362017.18	443619.02
B4	362023.03	443612.25	117.74	15	362020.06	443618.18
B5	362037.49	44354.97	115.96	16	362034.59	443448.76
B6	362047.37	44356.24	115.20	17	362118.82	44358.87
B7	362068.29	44352.84	115.52	18	362122.99	44340.90
B8	362082.74	44352.49	115.20	19	362118.82	44341.81
B9	362108.79	44358.37	114.96	20	362227.16	44379.10
B10	362128.38	44358.22	114.62	21	362118.82	44341.81
B11	362159.29	44354.74	115.07	L1	361974.92	44357.02
B12	362174.62	44351.13	115.78	L2	361975.20	44360.68
B13	362167.32	44363.25	113.24	S1	362009.03	44358.44
B14	362166.02	44363.65	113.87	S2	362009.03	44363.14
B15	362169.39	44362.23	113.57	S3	362009.03	44353.93
B16	362169.78	44363.70	113.06	S4	362112.02	44360.68
B17	362218.38	44363.08	113.08	S5	362007.78	44363.80
B18	362222.17	44361.48	113.00	S6	362007.78	44361.15
B19	362276.15	44359.79	117.41	S7	362034.57	44361.75
B20	362169.82	44359.86	115.88	S10	362007.78	44363.80
C1	362133.18	44362.96	115.62	S9	361982.55	44360.42
C2	362075.77	44361.86	115.88	S10	361978.74	44362.41
C3	362033.98	44351.58	117.78	S11	361974.49	44362.87
C4	362048.87	44351.82	117.86	S12	361977.33	44367.04
C5A	362140.26	44365.72	115.54	S13	361989.13	44361.80
C5B	362090.37	44371.82	115.78	S14	361977.33	44367.04
C5C	362105.70	44368.82	115.70	S15	361986.50	44358.46
C5D	362118.03	44368.07	115.68	S16	361986.50	44367.04
C6	361947.84	44363.54	128.08	S17A	361980.24	44361.80
C7	361983.87	44362.85	123.05	S18	361982.75	44368.18
C8	361918.78	44362.88	133.95	S19	361982.75	44368.18
C9	361982.49	44362.85	131.07	S20	361977.71	44360.68
C10	361982.19	44361.17	124.87	S21	362022.08	44351.16
C11	361984.56	44357.97	121.39	S22	362002.83	44363.30
C12	361980.04	44359.89	124.87	S23	362022.08	44351.16
C13	361984.56	44357.97	121.39	S24	362002.83	44363.30
C14	361980.04	44359.89	124.87	S25	362022.08	44351.16
C15	362133.18	44362.96	115.62	S26	362009.03	44358.44
C16	361980.22	44368.70	133.94	T1	362181.80	44366.87
C17	361980.54	44364.10	133.90	T2	362181.80	44366.87
C18	361980.82	44364.10	133.88	T3	362181.80	44366.87
C19	361984.39	44367.14	131.70	T4	362181.80	44366.87
C20	361984.39	44367.14	131.70	T5	362181.80	44366.87
C21	361984.39	44367.14	131.70	T6	362181.80	44366.87
C22	361984.39	44367.14	131.70	T7	362181.80	44366.87
C23	361984.39	44367.14	131.70	T8	362181.80	44366.87
C24	361984.39	44367.14	131.70	T9	362181.80	44366.87
C25	361984.39	44367.14	131.70	T10	362181.80	44366.87



**KEY**

▲	AIR VALVE	○	ROOF DRAIN	□	W
○	ROAD MARK	○	LAIR POST	○	W
○	RY	○	MANHOLE (CIRCULAR)	○	W
○	ROAD	○	MANHOLE (RECTANGULAR)	○	W
○	ROAD HOLE	○	MANHOLE (TRIANGULAR)	○	W
○	BRITISH TELECOM COVER	○	MARKER POST	○	W
○	BUS STOP	○	ROAD DULLY	○	W
○	CABLE TV COVER	○	ROADSIDE FITE	○	W
○	CABLE TV SUPPLY	○	SON POST	○	W
○	COLUMN	○	TELECOM COVER	○	W
○	EARTHING POINT	○	TELEGRAPH POLE	○	W
○	ELECTRICITY COVER	○	THRESHOLD LEVEL	○	W
○	ELECTRICITY POLE	○	TRAFFIC LIGHT	○	W
○	FIRE HOSEWENT	○	TRAIL PIT	○	W
○	GAS VALVE	○	WASH OUT	○	W
○	GATE	○	WATER METER	○	W
○	INSPECTION COVER (CIRCULAR)	○	WATER STOP COOK	○	W
○	INSPECTION COVER (RECTANGULAR)	○	WATER STOP VALVE	○	W
○	COVER LEVEL	○	CHAMBER BASE LEVEL	○	W
○	INVERT LEVEL	○	WATER SURFACE LEVEL	○	W
○	CHAMBER TO REAR	○	CHAMBER TO REAR	○	W
○	DEPTH OF TREE TRUNK	○	DIAMETER OF TREE TRUNK	○	W
○	HEIGHT TO TOP OF TREE CANOPY	○	MULTI BOLT TREE	○	W

Rev	Date	Drawn	Description	Check
A	20/05/2013	KZ	Additional area surveyed.	DA

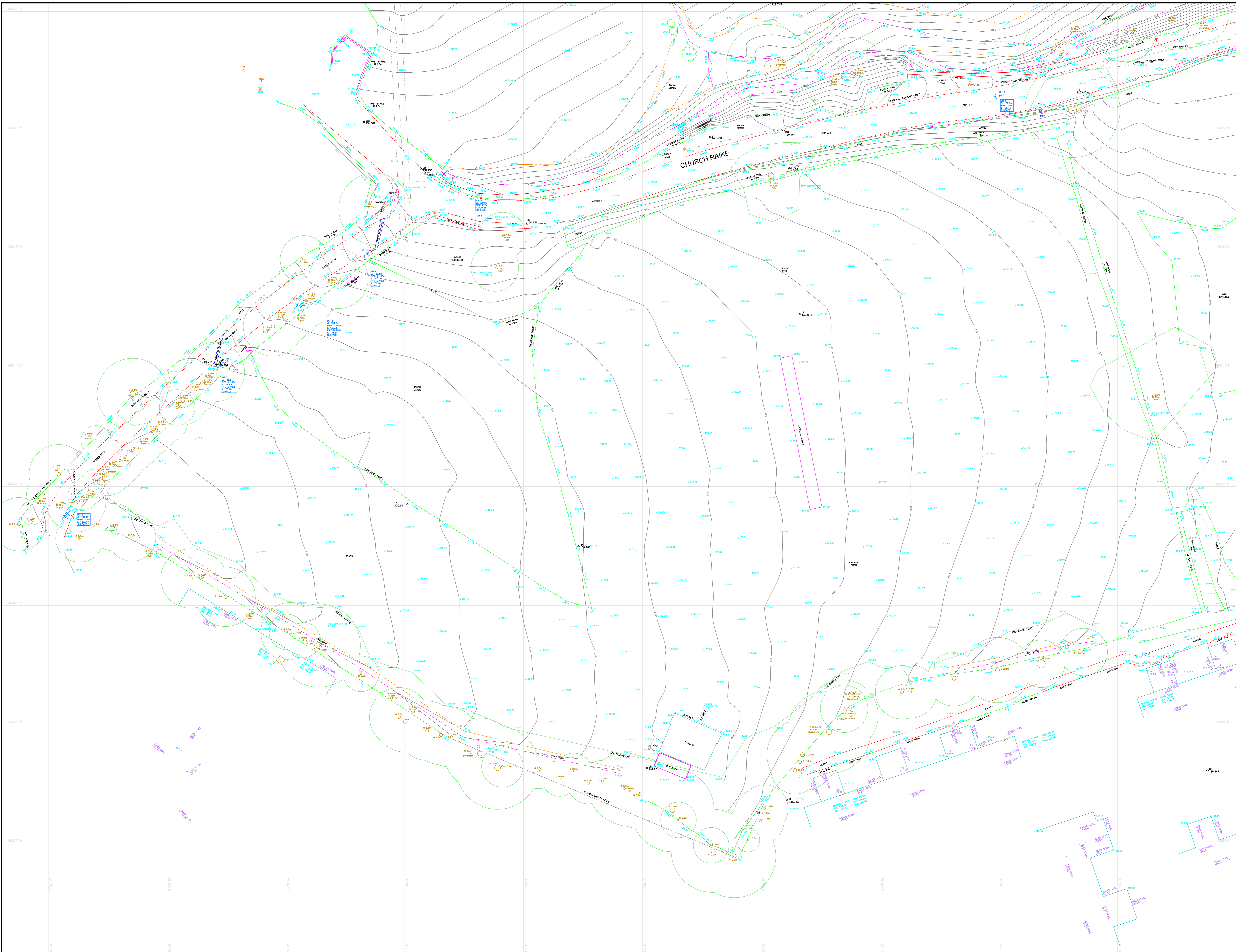
Southgate House  
 Pontefract Road T: +44 (0) 1132 008 909  
 Stourton F: +44 (0) 1132 008 901  
 Leeds E: admin@metgeoenvironmental.com  
 West Yorkshire W: www.metgeoenvironmental.com  
 LS10 1SW

**Client**  
 Till Assett Management LLP

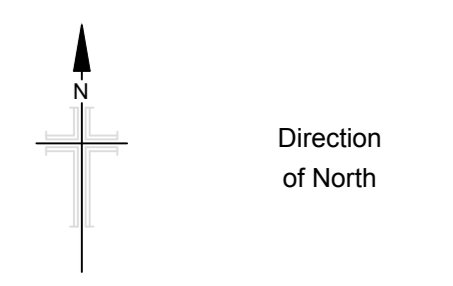
**Site**  
 HJ BERRY & SONS, KIRK MILLS,  
 CHIPPING, PRESTON

**Title**  
 TOPOGRAPHICAL SURVEY  
 2D

Surveyed	CC IG	Drawn	CC IG
Chk.	DA	Date	11/07/2011
Scale	(As Shown)	DWG Ref (Layout No)	REV
Job No	12624-108-2	Rev	D



Notes  
 This drawing and the information contained therein is issued in confidence and is the copyright of Met Geo Environmental Limited. Disclosure of this information to Third Parties and unauthorised copying or replication of this data without approval is forbidden.



Grid : OS National Grid  
 Using the OS GPS Network and applying OSTN02 transformation and then removing the scale factor for true distances with a one-step transformation centred on 1  
 Datum : OS Level Datum  
 Using the OS GPS Network and applying OSGM02 National Geoid Model to obtain local area corrections.

Station	Easting	Northing	Level (m)
B1	361990.872	443662.341	117.503
B2	361997.595	443662.341	117.503
B3	362019.442	443668.884	118.527
B4	362023.003	443662.350	117.744
B5	362037.408	44354.071	115.956
B6	362047.275	44350.250	115.815
B7	362068.296	44352.894	115.522
B8	362082.743	44351.241	115.271
B9	362108.919	44358.371	114.963
B10	362128.038	44358.229	114.628
B11	362159.299	44354.749	113.077
B12	362174.602	44351.130	113.789
B13	362167.332	44345.241	113.246
B14	362146.002	44345.454	113.000
B15	362159.319	44345.230	113.537
B16	362160.784	44345.763	113.066
B17	362218.398	44345.101	113.081
B18	362202.137	44345.485	113.365
C1	362276.815	44359.796	117.418
C2	362158.823	44358.854	115.875
C3	362133.162	44342.960	115.628
C4	362076.077	44341.662	115.808
C5	362033.038	44351.582	117.738
C6	362048.607	44351.662	117.860
C7A	362140.256	44345.721	115.546
C7B	362000.370	44347.828	115.728
C8	362105.790	44346.622	115.702
C9	362118.063	44346.072	115.668
C10	361941.849	44363.546	120.086
C11	361933.827	44369.095	120.091
C12	361918.678	44352.885	120.950
C13	361907.119	44347.175	121.085
C14	361994.566	44357.970	121.391
C15	361900.220	44348.700	120.944
C16	362013.281	44350.320	118.304
C17	361960.540	44344.160	120.928
C18	361940.426	44347.620	120.991
C19	361906.552	44344.154	122.884
C20	361904.399	44337.140	121.782
C21	361903.753	44340.011	120.484
C22	361995.011	44348.245	126.610
C23	362008.827	44358.962	132.654

Layout Key

(1)
(2)
(3)
(4)
(5)
(6)
(7)
(8)

KEY

AR VALVE	AV	WATER VALVE	WV
ROAD MARK	RM	WATER STOP	WS
RY	RY	WATER STOP COOK	WSC
BND	BND	WATER STOP VALVE	WSV
BOLLARD	B	WATER STOP VALVE	WSV
ROAD HOLE	RH	WATER STOP VALVE	WSV
BRITISH TELECOM COVER	BT	WATER STOP VALVE	WSV
BUS STOP	BS	WATER STOP VALVE	WSV
CABLE TV COVER	CT	WATER STOP VALVE	WSV
CABLE TV SUPPLY	CS	WATER STOP VALVE	WSV
COLUMN	C	WATER STOP VALVE	WSV
ELECTRICITY COVER	EC	WATER STOP VALVE	WSV
ELECTRICITY POLE	EP	WATER STOP VALVE	WSV
FIRE HYDRANT	FH	WATER STOP VALVE	WSV
GAS VALVE	GV	WATER STOP VALVE	WSV
GATE	G	WATER STOP VALVE	WSV
INSPECTION COVER (CIRCULAR)	IC	WATER STOP VALVE	WSV
INSPECTION COVER (RECTANGULAR)	IR	WATER STOP VALVE	WSV
COVER LEVEL	CL	CHAMBER BASE LEVEL	CB
INVERT LEVEL	IL	CHAMBER TO ROAD	CR
CHAMBER TO ROAD	CR	CHAMBER TO ROAD	CR
DEPTH OF TREE TRUNK	DT	DIAMETER OF TREE TRUNK	DT
HEIGHT TO TOP OF TREE CANOPY	HT	MULTI BOLT TREE	MT
INVERT CHL LEVEL	ICL		
INVERT HD LEVEL	IHL		

Rev	Date	Drawn	Description	Check
E	03/03/2017	GS	Footpath added. Threshold Levels added. Spot levels added.	DB
D	31/10/16	DB	Reverted to 3D	DA
C	24/10/16	JB	Houses added. Church Rake field added. Trees updated.	DB
B	05/03/15	SJ	Additional area surveyed. Boundary added with houses. Church Rake extension West. Buildings South of cricket field.	DA
A	20/05/2013	KZ	Additional area surveyed.	DA

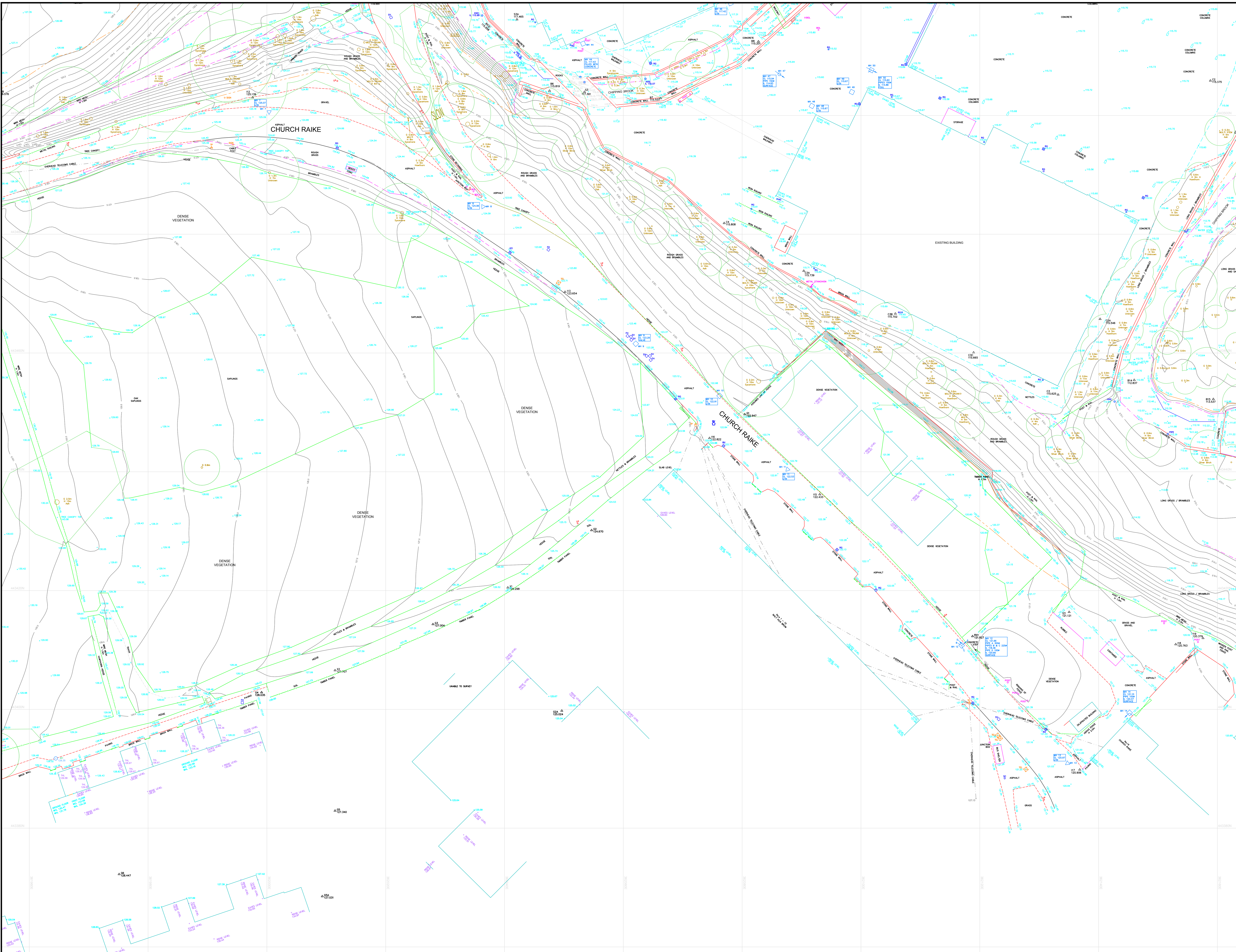
Southgate House  
 Pontefract Road T: +44 (0) 1132 008 909  
 Stourton F: +44 (0) 1132 008 901  
 Leeds E: admin@metgeoenvironmental.com  
 West Yorkshire W: www.metgeoenvironmental.com  
 LS10 1SW

Client: Till Assett Management LLP

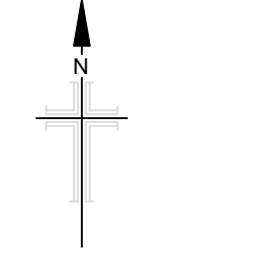
Site: HJ BERRY & SONS, KIRK MILLS, CHIPPING, PRESTON

Title: TOPOGRAPHICAL SURVEY 2D

Surveyed	CC IG	Drawn	CC IG
Chk.	DA	Date	11/07/2011
Scale	1/200	DWG Ref (Layout No)	REV
Job No	12624-108-2	Rev	E



Notes  
This drawing and the information contained therein is issued in confidence and is the copyright of Met Geo Environmental Limited. Disclosure of this information to Third Parties and unauthorised copying or replication of this data without approval is forbidden.



OS National Grid:  
Using the OS GPS Network and applying OSTN02 transformation and then removing the scale factor for true distances with a one-step transformation centred on S1

OS Level Datum:  
Using the OS GPS Network and applying OSGM02 National Geoid Model to obtain local area corrections.

Station Listing

B1	361990.872	443002.341	117.503	H2	361997.599	443033.024	125.159
B2	362019.442	443059.686	116.527	H4	362077.195	44319.012	119.661
B3	362037.408	443054.971	115.959	H6	362074.508	44344.676	122.822
B4	362047.275	443054.971	115.959	H7	362138.820	44339.847	120.909
B5	362066.295	44302.894	115.522	H8	362152.990	44310.900	120.703
B6	362082.743	443054.971	115.291	H9	362172.594	44316.389	121.219
B7	362108.919	443054.971	114.965	I0	362227.156	44337.320	118.349
B8	362128.039	443054.971	114.629	I1	362194.923	44307.202	119.790
B9	362159.289	443054.971	114.271	L1	361974.923	44307.202	119.790
B10	362174.602	443054.971	113.905	L2	362203.290	44303.114	120.643
B11	362187.332	443054.971	113.540	S1	362009.053	44308.446	119.606
B12	362196.002	443054.971	113.175	S2	362203.290	44303.114	120.643
B13	362199.319	443054.971	112.809	S3	362003.462	44303.953	117.301
B14	362218.389	443054.971	112.444	S4	362007.798	44303.953	117.647
B15	362232.137	443054.971	112.078	S5	362009.986	44303.953	117.647
B16	362238.815	443054.971	111.713	S6	362004.576	44303.953	117.647
B17	362245.493	443054.971	111.347	S7	362002.594	44303.953	117.647
B18	362252.171	443054.971	109.981	S8	361992.797	44308.446	119.606
B19	362258.849	443054.971	109.615	S9	361992.797	44308.446	119.606
B20	362265.527	443054.971	109.249	S10	361992.797	44308.446	119.606
B21	362272.205	443054.971	108.883	S11	361992.797	44308.446	119.606
B22	362278.883	443054.971	108.517	S12	361992.797	44308.446	119.606
B23	362285.561	443054.971	108.151	S13	361992.797	44308.446	119.606
B24	362292.239	443054.971	107.785	S14	361992.797	44308.446	119.606
B25	362298.917	443054.971	107.419	S15	361992.797	44308.446	119.606
B26	362305.595	443054.971	107.053	S16	361992.797	44308.446	119.606
B27	362312.273	443054.971	106.687	S17	361992.797	44308.446	119.606
B28	362318.951	443054.971	106.321	S18	361992.797	44308.446	119.606
B29	362325.629	443054.971	105.955	S19	361992.797	44308.446	119.606
B30	362332.307	443054.971	105.589	S20	361992.797	44308.446	119.606
B31	362338.985	443054.971	105.223	S21	361992.797	44308.446	119.606
B32	362345.663	443054.971	104.857	S22	361992.797	44308.446	119.606
B33	362352.341	443054.971	104.491	S23	361992.797	44308.446	119.606
B34	362359.019	443054.971	104.125	S24	361992.797	44308.446	119.606
B35	362365.697	443054.971	103.759	S25	361992.797	44308.446	119.606
B36	362372.375	443054.971	103.393	S26	361992.797	44308.446	119.606
B37	362379.053	443054.971	103.027	S27	361992.797	44308.446	119.606
B38	362385.731	443054.971	102.661	S28	361992.797	44308.446	119.606
B39	362392.409	443054.971	102.295	S29	361992.797	44308.446	119.606
B40	362399.087	443054.971	101.929	S30	361992.797	44308.446	119.606

Layout Key

(1)	(2)	(3)
(4)	(5)	(6)
(7)	(8)	

KEY

▲	AIR VALVE	○	WATER STOP COOK	□	WATER STOP VALVE
○	BRICK MARK	○	WATER STOP	□	WATER STOP
○	BRICK	○	WATER STOP	□	WATER STOP
○	BOLARD	○	WATER STOP	□	WATER STOP
○	BORING HOLE	○	WATER STOP	□	WATER STOP
○	BRITISH TELECOM CABLE	○	WATER STOP	□	WATER STOP
○	BUS STOP	○	WATER STOP	□	WATER STOP
○	CABLE TV COVER	○	WATER STOP	□	WATER STOP
○	CABLE TV SUPPLY	○	WATER STOP	□	WATER STOP
○	COLUMN	○	WATER STOP	□	WATER STOP
○	EARTHING POINT	○	WATER STOP	□	WATER STOP
○	ELECTRICITY COVER	○	WATER STOP	□	WATER STOP
○	ELECTRICITY POLE	○	WATER STOP	□	WATER STOP
○	FIRE HYDRANT	○	WATER STOP	□	WATER STOP
○	GAS VALVE	○	WATER STOP	□	WATER STOP
○	GATE	○	WATER STOP	□	WATER STOP
○	INSPECTION COVER (CIRCULAR)	○	WATER STOP	□	WATER STOP
○	INSPECTION COVER (RECTANGULAR)	○	WATER STOP	□	WATER STOP
○	COVER LEVEL	○	WATER STOP	□	WATER STOP
○	INVERT LEVEL	○	WATER STOP	□	WATER STOP
○	CHAMBER TO NEARBY	○	WATER STOP	□	WATER STOP
○	DEPTH OF TREE TRUNK	○	WATER STOP	□	WATER STOP
○	HEIGHT TO TOP OF TREE CANOPY	○	WATER STOP	□	WATER STOP
○	WINDROW CELL LEVEL	○	WATER STOP	□	WATER STOP
○	WINDROW HEAD LEVEL	○	WATER STOP	□	WATER STOP

D	03/03/2017	GS		DA
D	31/10/16	DB	Reverted to 3D	DA
C	24/10/2016	JB	Houses added Church Raikes field added. Tree line updated.	DB
B	05/03/2015	SJ	Additional area surveyed. Boundary added with houses Church Raikes extension West Buildings South of cricket field	DA
A	20/05/2013	KZ	Additional area surveyed.	DA
Rev	Date	Drawn	Description	Check

**Met**  
GEO ENVIRONMENTAL

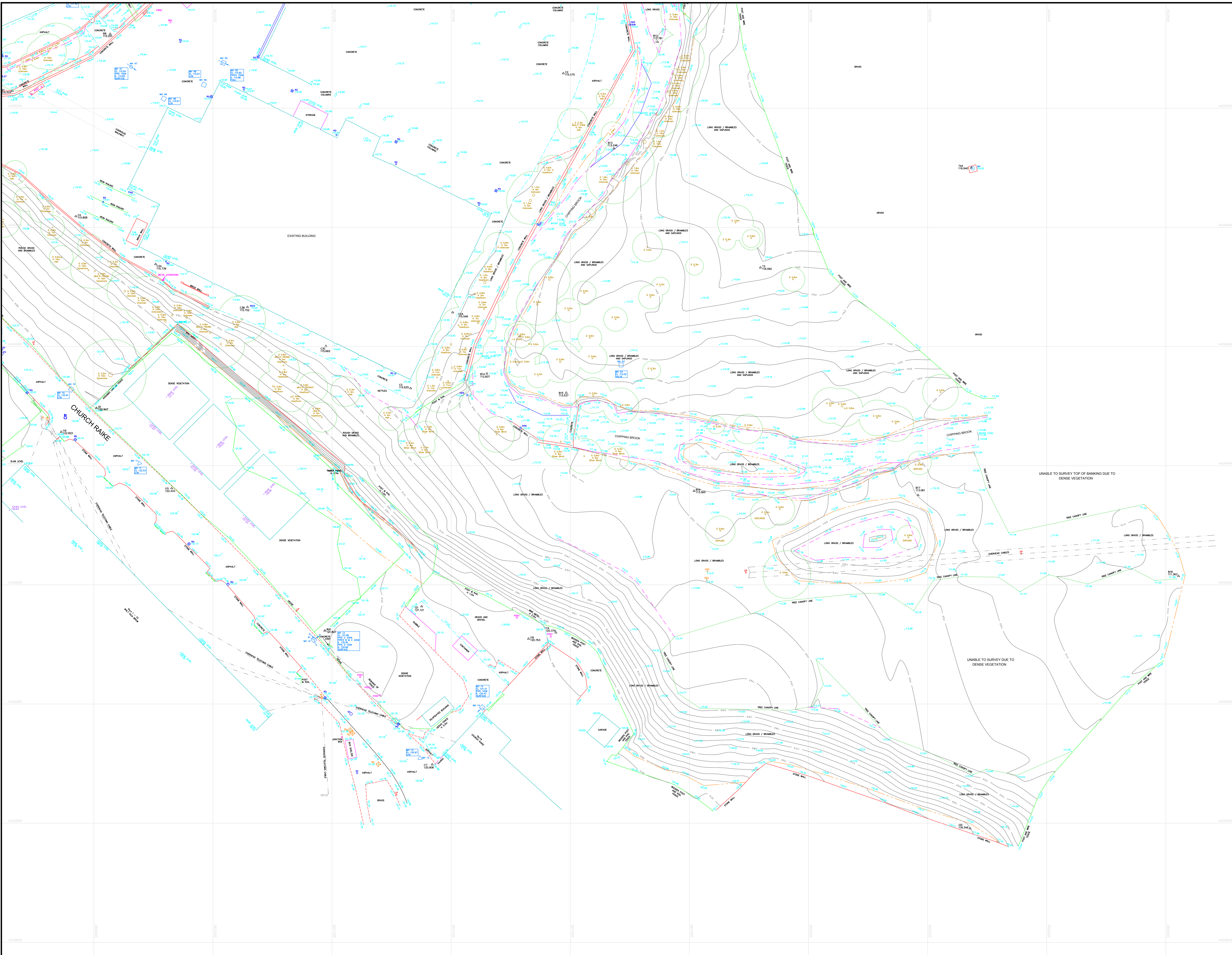
Southgate House  
Pontefract Road T: +44 (0) 1132 008 909  
Stourton F: +44 (0) 1132 008 901  
Leeds E: admin@metgeoenvironmental.com  
West Yorkshire W: www.metgeoenvironmental.com  
LS10 1SW

Client  
Till Assett Management LLP

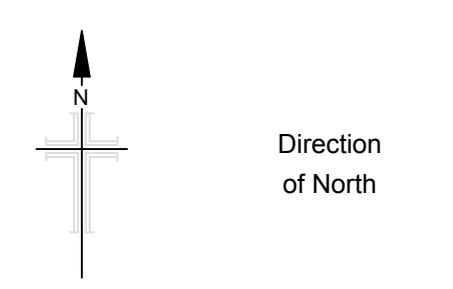
Site  
HJ BERRY & SONS, KIRK MILLS,  
CHIPPING, PRESTON

Title  
TOPOGRAPHICAL SURVEY  
2D

Surveyed	CC IG	Drawn	CC IG
Chk.	DA	Date	11/07/2011
Scale	1/200	DWG Ref (Layout No)	12624-108-2_2DT (5)
Job No	12624-108-2	Rev	E



**Notes**  
 This drawing and the information contained therein is issued in confidence and is the copyright of Met Geo Environmental Limited. Disclosure of this information to Third Parties and unauthorised copying or replication of this data without approval is forbidden.

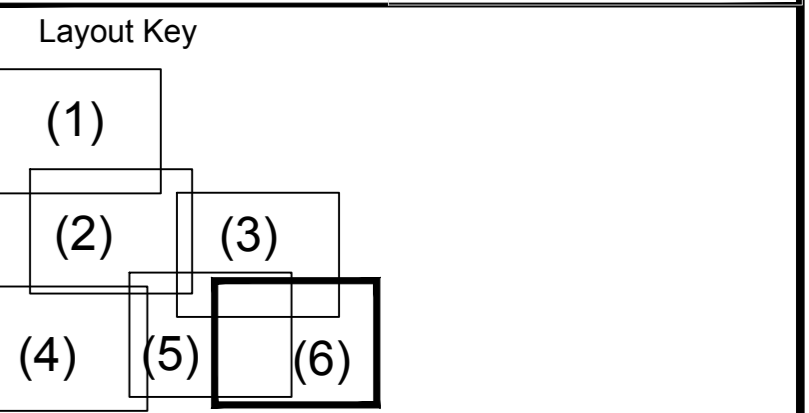


**Grid** : OS National Grid  
 Using the OS GPS Network and applying OSTN02 transformation and then removing the scale factor for true distances with a one-step transformation centred on S1

**Datum** : OS Level Datum  
 Using the OS GPS Network and applying OSGM02 National Geoid Model to obtain local area corrections.

**Station Listing**

Station	Easting	Northing	Level	11	301905.011	443485.245	126.610
B1	301990.372	443602.341	117.503	H2	301997.595	443503.024	125.139
B2	302019.442	443558.884	118.527	H4	302077.185	443519.012	119.661
B3	302023.003	443541.255	117.744	H5	302050.056	443436.108	122.633
B5	302037.408	44354.4971	115.956	H6	302074.509	443445.476	122.622
B6	302047.575	44352.245	115.815	H7	302116.820	443389.847	120.909
B7	302086.296	44352.894	115.522	H8	302122.996	443410.950	120.763
B8	302082.743	44352.245	115.251	H9	302116.820	443389.847	120.909
B9	302108.919	44358.371	114.963	D0	302227.116	443379.120	118.349
B10	302129.038	44358.296	114.628	C1	302135.044	443416.589	121.211
B11	302159.209	44354.740	115.077	L1	301974.924	443577.002	119.790
B12	302174.602	44351.138	115.789	L2	301975.220	443507.688	120.186
B13	302167.332	44349.251	115.246	S1	302009.053	443588.446	119.606
B14	302166.002	44349.654	115.837	S3	302053.295	443531.514	118.709
B15	302169.319	44342.239	115.537	S3	302053.462	443503.953	117.301
B16	302160.784	44343.763	115.068	S4	302113.222	443503.953	117.660
B17	302218.398	44343.061	113.081	S5	302087.798	443563.680	117.617
B18	302202.137	44341.485	113.365	S5	302090.986	443563.680	117.617
B19	302206.815	44351.796	117.419	S7	302034.576	443581.726	118.532
C2	302169.823	44350.894	115.808	S5	302079.796	443513.548	119.712
C3	302133.182	44342.962	115.629	S9	301992.558	443503.424	121.652
C4	302093.877	44341.865	115.808	S10	301997.794	443504.804	122.042
C5	302033.038	44351.582	117.738	S11	301974.494	443526.074	121.942
C6	302048.897	44351.765	117.808	S14	301975.220	443507.688	119.874
C7A	302140.296	44346.721	115.546	S13	301969.133	443518.020	121.139
C7B	302090.370	44347.828	115.738	S14	301975.220	443507.688	119.874
C7C	302105.790	44346.822	115.702	S15	301968.550	443588.446	119.152
C7D	302118.183	44346.025	115.081	S16	301969.133	443518.020	121.139
C7E	302141.848	44346.546	126.088	S17A	301969.249	443518.554	122.460
C7F	302163.869	44347.265	131.027	S18	302021.204	443589.915	119.566
C7G	302181.678	44352.888	133.950	S1C	301992.751	443508.818	119.933
C7H	302182.469	44347.265	131.027	S19	302021.204	443589.915	119.566
C7I	302198.879	44361.061	124.606	S3A	302042.089	443516.163	117.405
C7J	302197.119	44357.175	124.876	S4A	302021.204	443589.915	119.566
C7K	302194.566	44357.379	121.391	S6B	302030.833	443583.301	118.509
C7L	302190.084	44357.899	124.876	S5A	302021.204	443589.915	119.566
C7M	302131.381	44350.325	118.301	S9A	302030.028	443519.802	120.208
C7N	302100.220	44348.702	133.938	T2	302100.478	443500.007	120.318
C7O	302180.428	44347.025	135.961	T1	302118.821	443471.255	127.821
C7P	302180.540	44344.160	133.884	T4	302191.598	443500.074	118.605
C7Q	302190.398	44347.025	135.789	T1A	302038.731	443500.007	120.318
C7R	302190.398	44344.160	133.884	T4A	302227.351	443490.015	119.840
C7S	302190.398	44347.025	135.789	T1A	302038.731	443500.007	120.318
C7T	302190.398	44344.160	133.884	T4A	302227.351	443490.015	119.840
C7U	302190.398	44347.025	135.789	T1A	302038.731	443500.007	120.318
C7V	302190.398	44344.160	133.884	T4A	302227.351	443490.015	119.840
C7W	302190.398	44347.025	135.789	T1A	302038.731	443500.007	120.318
C7X	302190.398	44344.160	133.884	T4A	302227.351	443490.015	119.840
C7Y	302190.398	44347.025	135.789	T1A	302038.731	443500.007	120.318
C7Z	302190.398	44344.160	133.884	T4A	302227.351	443490.015	119.840



**KEY**

▲	AIR VALVE	⊙	ROOF DRAIN	⊙	W	W
▲	BRICK MARK	⊙	WATER POINT	⊙	W	W
▲	BRN	⊙	WATER (CIRCULAR)	⊙	W	W
▲	BOLLARD	⊙	WATER (RECTANGULAR)	⊙	W	W
▲	BONE HOLE	⊙	WATER (TRIANGULAR)	⊙	W	W
▲	BRITISH TELECOM COVER	⊙	WATER STOP	⊙	W	W
▲	BUS STOP	⊙	ROAD GULLY	⊙	W	W
▲	CABLE TV COVER	⊙	ROOFING FLE	⊙	W	W
▲	CABLE TV SUPPLY	⊙	SIGN POST	⊙	W	W
▲	COLUMN	⊙	TELECOM COVER	⊙	W	W
▲	EARTHING POINT	⊙	TELECOM POLE	⊙	W	W
▲	ELECTRICITY COVER	⊙	THRESHOLD LEVEL	⊙	W	W
▲	ELECTRICITY POLE	⊙	TRAFFIC LIGHT	⊙	W	W
▲	FIRE HYDRANT	⊙	TRAIL PIT	⊙	W	W
▲	GAS VALVE	⊙	WASH OUT	⊙	W	W
▲	GATE	⊙	WATER METER	⊙	W	W
▲	INSPECTION COVER (CIRCULAR)	⊙	WATER STOP COOK	⊙	W	W
▲	INSPECTION COVER (RECTANGULAR)	⊙	WATER STOP VALVE	⊙	W	W
▲	COVER LEVEL	CL	CHAMBER BASE LEVEL	CHL	W	W
▲	INVERT LEVEL	IL	WATER SURFACE LEVEL	WLS	W	W
▲	CHAMBER TO RISE	CHR	CHAMBER TO RISE	CHR	W	W
▲	DEPTH OF TREE TRUNK	D	DIAMETER OF TREE TRUNK	D	W	W
▲	HEIGHT TO TOP OF TREE CANOPY	H	MULTI BOLT TREE	MB	W	W
▲	WOOD CHL LEVEL	WCL				
▲	WOOD HEAD LEVEL	WHL				

B	05/03/2015	SJ	Additional area surveyed. Boundary added with houses. Church Rake extension West. Buildings South of cricket field.	DA
A	20/05/2013	KZ	Additional area surveyed.	DA
Rev	Date	Drawn	Description	Check

**Met**  
 GEO ENVIRONMENTAL

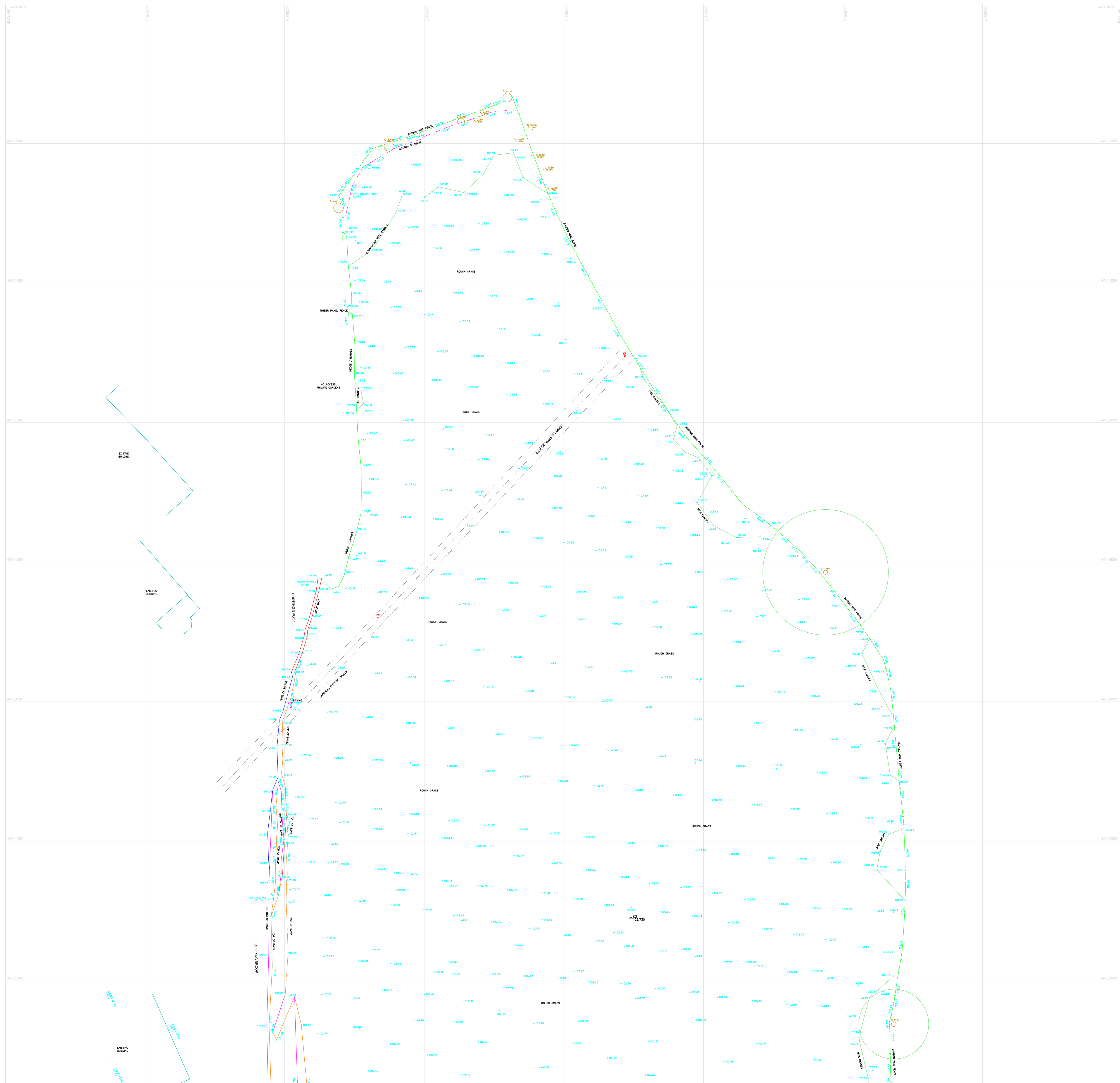
Southgate House  
 Pontefract Road T: +44 (0) 1132 008 909  
 Stourton F: +44 (0) 1132 008 901  
 Leeds E: admin@metgeoenvironmental.com  
 West Yorkshire W: www.metgeoenvironmental.com  
 LS10 1SW

**Client** Till Assett Management LLP

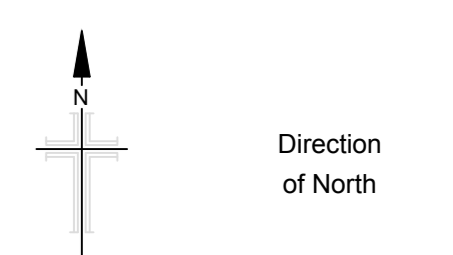
**Site** HJ BERRY & SONS, KIRK MILLS, CHIPPING, PRESTON

**Title** TOPOGRAPHICAL SURVEY 2D

Surveyed	CC IG	Drawn	CC IG
Chk.	DA	Date	11/07/2011
Scale	1/200	DWG Ref (Layout No)	12624-108-2_2DT (6)
Job No	12624-108-2	Rev	D



**Notes**  
 This drawing and the information contained therein is issued in confidence and is the copyright of Met Geo Environmental Limited. Disclosure of this information to Third Parties and unauthorised copying or replication of this data without approval is forbidden.



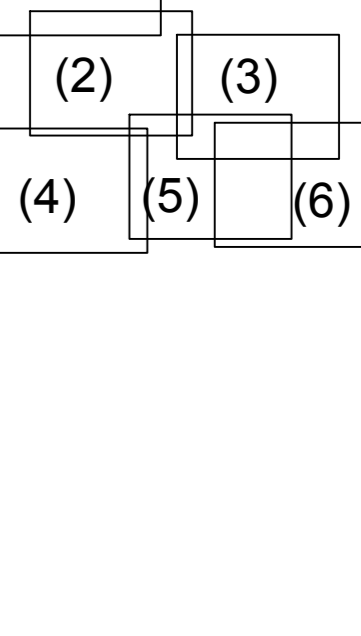
**Grid** : OS National Grid.  
 Using the OS GPS Network and applying OSTN02 transformation and then removing the scale factor for true distances with a one-step transformation centred on S1

**Datum** : OS Level Datum  
 Using the OS GPS Network and applying OSGM02 National Geoid Model to obtain local area corrections.

**Station Listing**

Station	Northing	Easting	Level
B1	361990.372	443603.341	117.503
B2	361991.396	443608.866	117.509
B3	362019.442	443608.866	118.527
B4	362023.003	443614.255	117.744
B5	362037.408	44354.4971	115.956
B6	362047.576	44362.2491	115.201
B7	362068.296	44362.894	115.522
B8	362082.743	44362.2491	115.201
B9	362108.919	44358.371	114.963
B10	362129.038	44358.229	114.628
B11	362159.299	44354.740	115.077
B12	362174.602	44351.138	115.785
B13	362167.332	44363.254	113.246
B14	362166.002	44363.654	113.006
B15	362169.319	44362.230	113.037
B16	362162.784	44363.703	113.006
B17	362218.398	44345.081	113.081
B18	362202.137	44341.485	113.365
B19	362276.815	44351.796	117.418
B20	362169.823	44360.886	115.628
C1	362133.182	44362.962	115.628
C2	362076.877	44361.866	117.800
C3	362033.938	44351.582	117.738
C4	362048.697	44361.866	117.800
C5	362033.938	44351.582	117.738
C6	362000.370	44347.826	115.628
C7	362105.790	44360.075	115.702
C8	362181.983	44360.075	115.628
C9	362184.248	44360.075	115.628
C10	362183.287	44360.075	115.628
C11	362182.878	44360.075	115.628
C12	362182.878	44360.075	115.628
C13	362182.878	44360.075	115.628
C14	362182.878	44360.075	115.628
C15	362182.878	44360.075	115.628
C16	362182.878	44360.075	115.628
C17	362182.878	44360.075	115.628
C18	362182.878	44360.075	115.628
C19	362182.878	44360.075	115.628
C20	362182.878	44360.075	115.628

**Layout Key**



**KEY**

▲	AIR VALVE	▲	ROB OUTLET
○	BRUSH MARK	○	LAMP POST
○	BRN	○	MANHOLE (CIRCULAR)
□	BOLLARD	□	MANHOLE (RECTANGULAR)
△	BORE HOLE	△	MANHOLE (TRIANGULAR)
○	BRITISH TELECOM COVER	○	MARKER POST
○	BUS STOP	○	ROAD SULLY
○	CABLE TV COVER	○	ROOFING PIE
○	CABLE TV SUPPLY	○	SON POST
○	COLUMN	○	TELECOM COVER
○	EARTHING POINT	○	TELEGRAPH POLE
○	ELECTRICITY COVER	○	THRESHOLD LEVEL
○	ELECTRICITY POLE	○	TRAFFIC LIGHT
○	FIRE HYDRANT	○	TRAIL PIT
○	GAS VALVE	○	WASH OUT
○	GATE	○	WATER METER
○	INSPECTION COVER (CIRCULAR)	○	WATER STOP COOK
○	INSPECTION COVER (RECTANGULAR)	○	WATER STOP VALVE
○	COVER LEVEL	○	CHAMBER BASE LEVEL
○	INVERT LEVEL	○	WATER SURFACE LEVEL
○	INVERSE TO RISE	○	INVERSE TO RISE
○	DEPTH OF TREE TRUNK	○	DIAMETER OF TREE TRUNK
○	HEIGHT TO TOP OF TREE CANOPY	○	MULTI BOLT TREE

Rev	Date	Drawn	Description	Check
A	20/05/2013	KZ	Additional area surveyed.	DA

Southgate House  
 Pontefract Road  
 Stourton  
 Leeds  
 West Yorkshire  
 LS10 1SW

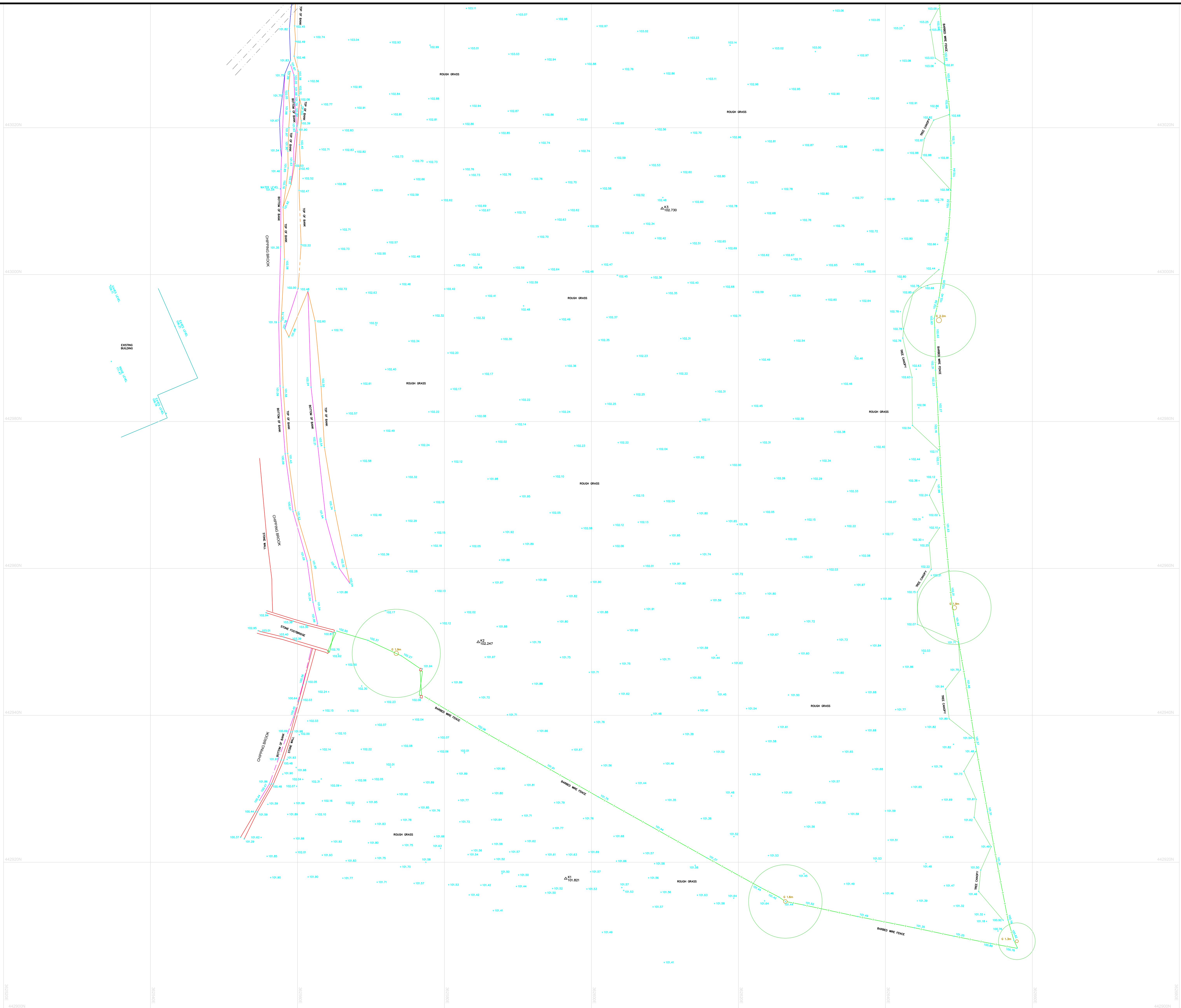
T: +44 (0) 1132 008 900  
 F: +44 (0) 1132 008 901  
 E: admin@metgeoenvironmental.com  
 W: www.metgeoenvironmental.com

**Client**  
 Till Assett Management LLP

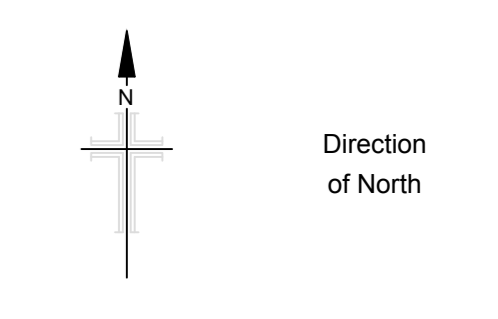
**Site**  
 HJ BERRY & SONS, KIRK MILLS,  
 CHIPPING, PRESTON

**Title**  
 TOPOGRAPHICAL SURVEY  
 2D

Surveyed	CC IG	Drawn	CC IG
Chk.	DA	Date	11/07/2011
Scale	1/200	DWG Ref (Layout No)	12624-108-2_2DT (7)
Job No	12624-108-2	Rev	D



**Notes**  
 This drawing and the information contained therein is issued in confidence and is the copyright of Met Geo Environmental Limited. Disclosure of this information to Third Parties and unauthorised copying or replication of this data without approval is forbidden.

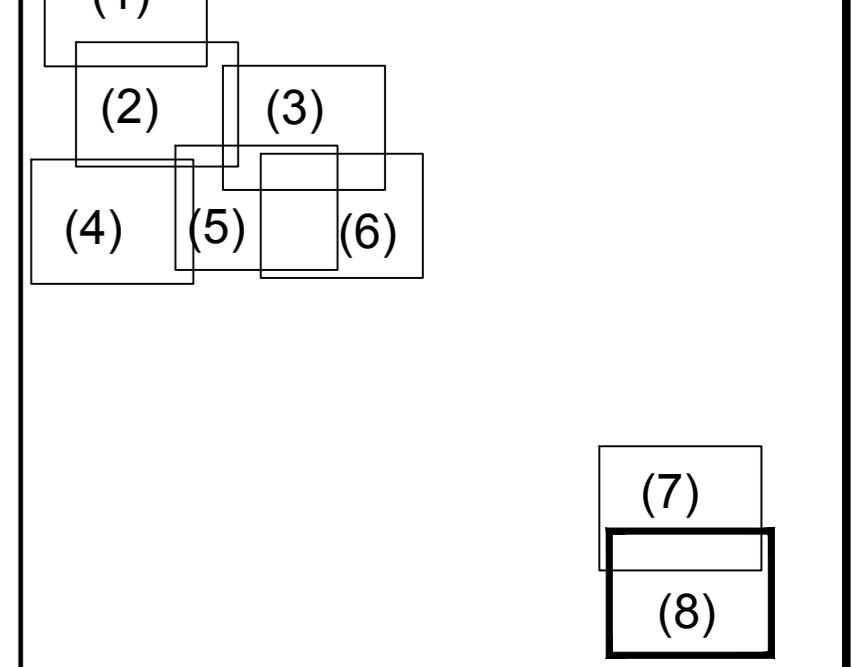


**Grid** : OS National Grid.  
 Using the OS GPS Network and applying OSTN02 transformation and then removing the scale factor for true distances with a one-step transformation centred on S1  
**Datum** : OS Level Datum  
 Using the OS GPS Network and applying OSGM02 National Geoid Model to obtain local area corrections.

**Station Listing**

Station	North	East	Level	Code
B1	361992.72	443602.34	117.50	H1
B2	361993.39	443599.89	117.50	H2
B3	362019.42	443598.88	118.52	H4
B4	362023.00	443451.20	117.74	H5
B5	362037.08	44354.97	115.96	H6
B6	362047.27	44352.15	115.21	H7
B7	362068.29	44352.84	115.52	H8
B8	362082.74	44352.24	115.21	H9
B9	362108.29	44358.27	114.96	H0
B10	362128.38	44358.29	114.28	H1
B11	362159.29	44354.74	115.07	L1
B12	362174.62	44351.13	115.79	L2
B13	362167.32	44363.25	115.24	S1
B14	362166.02	44365.64	115.23	S2
B15	362169.19	44362.23	113.53	S3
B16	362162.78	44362.70	113.06	S4
B17	362218.38	44345.06	113.01	S5
B18	362222.17	44345.45	113.35	S6
B19	362276.81	44358.79	117.41	S7
B20	362169.82	44358.86	115.87	S8
B21	362133.12	44342.96	115.62	S9
B22	362078.77	44341.88	115.00	S10
B23	362033.08	44351.58	117.73	S11
B24	362048.69	44347.62	117.80	S12
B25	362140.26	44346.72	115.54	S13
B26	362090.37	44347.62	115.79	S14
B27	362105.70	44346.62	115.70	S15
B28	362118.08	44346.07	115.66	S16
B29	362147.84	44346.54	126.08	S17
B30	362162.81	44347.62	115.69	S18
B31	362168.78	44347.62	115.69	S19
B32	362184.89	44347.62	115.69	S20
B33	362198.79	44347.62	115.69	S21
B34	362197.19	44347.62	115.69	S22
B35	362194.56	44347.62	115.69	S23
B36	362192.22	44347.62	115.69	S24
B37	362190.54	44347.62	115.69	S25
B38	362188.82	44347.62	115.69	S26
B39	362187.10	44347.62	115.69	S27
B40	362185.38	44347.62	115.69	S28
B41	362183.66	44347.62	115.69	S29
B42	362181.94	44347.62	115.69	S30
B43	362180.22	44347.62	115.69	S31
B44	362178.50	44347.62	115.69	S32
B45	362176.78	44347.62	115.69	S33
B46	362175.06	44347.62	115.69	S34
B47	362173.34	44347.62	115.69	S35
B48	362171.62	44347.62	115.69	S36
B49	362169.90	44347.62	115.69	S37
B50	362168.18	44347.62	115.69	S38

**Layout Key**



**KEY**

AIR VALVE	AV	ROD OUTLET	RO
BOUNDARY MARK	BM	LAIR POST	LP
BRN	BRN	MANHOLE (CIRCULAR)	MC
BOLLARD	BLD	MANHOLE (RECTANGULAR)	MR
BONE HOLE	BH	MANHOLE (TRIANGULAR)	MT
BRITISH TELECOM COVER	BT	MARKER POST	MP
BUS STOP	BS	ROAD DULLY	RD
CABLE TV COVER	CT	ROOING PIE	RP
CABLE TV SUPPLY	CS	SON POST	SP
COLUMN	CL	TELECOM COVER	TC
EARTHING POINT	EP	TELEGRAPH POLE	TP
ELECTRICITY COVER	EC	THRESHOLD LEVEL	TL
ELECTRICITY POLE	EP	TRMATIC LIGHT	TR
FIRE HYDRANT	FH	TRIAL PIT	TP
GAS VALVE	GV	WASH OUT	WO
GATE	GT	WATER METER	WM
INSPECTION COVER (CIRCULAR)	IC	WATER STOP COOK	WSC
INSPECTION COVER (RECTANGULAR)	IR	WATER STOP VALVE	WSV
COVER LEVEL	CL	CHAMBER BASE LEVEL	CB
INVERT LEVEL	IL	WATER SURFACE LEVEL	WS
INVERSE TO RISE	IR	CONCRETE TO REARISE	CR
DEPTH OF TREE TRUNK	DT	DIAMETER OF TREE TRUNK	DT
HEIGHT TO TOP OF TREE CANOPY	HT	MULTI BOLT TREE	MB

B	05/03/2015	SJ	Additional area surveyed. Boundary added with houses Church Rake extension West Buildings South of cricket field	DA
A	20/05/2013	KZ	Additional area surveyed.	DA
Rev	Date	Drawn	Description	Check

**Met GEO ENVIRONMENTAL**

Southgate House  
 Pontefract Road T: +44 (0) 1132 008 900  
 Stourton F: +44 (0) 1132 008 901  
 Leeds E: admin@metgeoenvironmental.com  
 West Yorkshire W: www.metgeoenvironmental.com  
 LS10 1SW

**Client**  
 Till Assett Management LLP

**Site**  
 HJ BERRY & SONS, KIRK MILLS,  
 CHIPPING, PRESTON

**Title**  
 TOPOGRAPHICAL SURVEY  
 2D

Surveyed	CC IG	Drawn	CC IG
Chk.	DA	Date	11/07/2011
Scale	1/200	DWG Ref (Layout No)	12624-108-2_2DT (8)
Scale	1/200	Scale	REV
Job No	12624-108-2	Rev	D