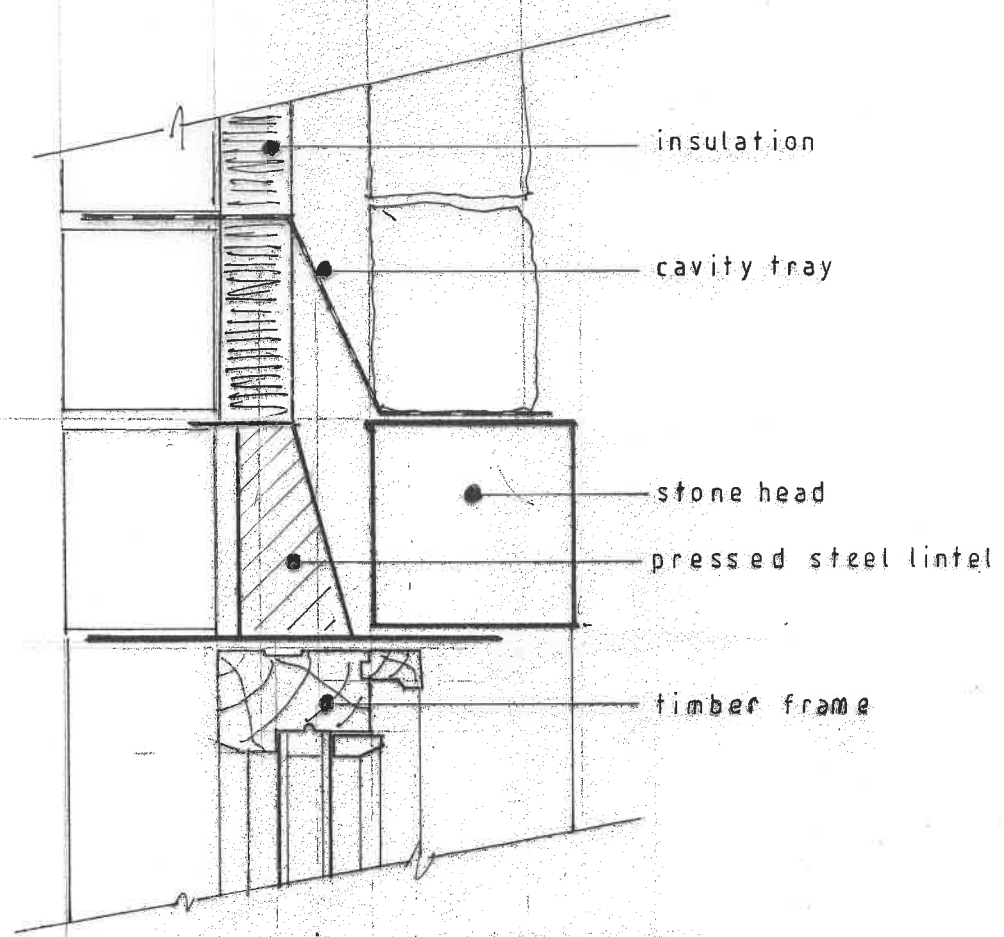


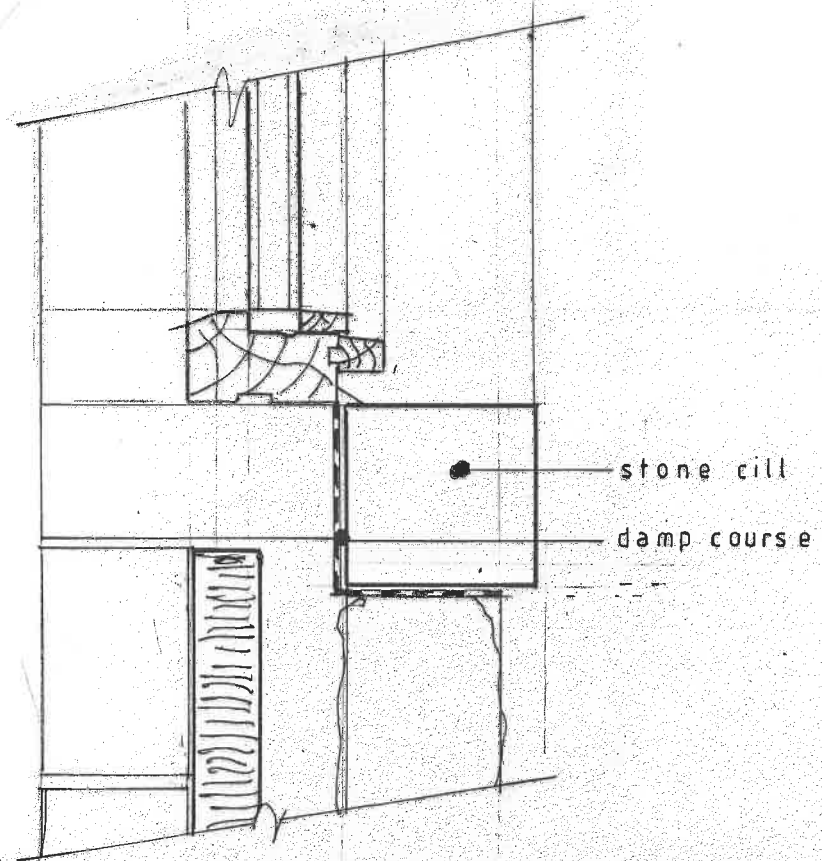
320190246P



WINDOWS AND DOORS DESIGN SECTION

APPLICATION NO 3/2018/1179

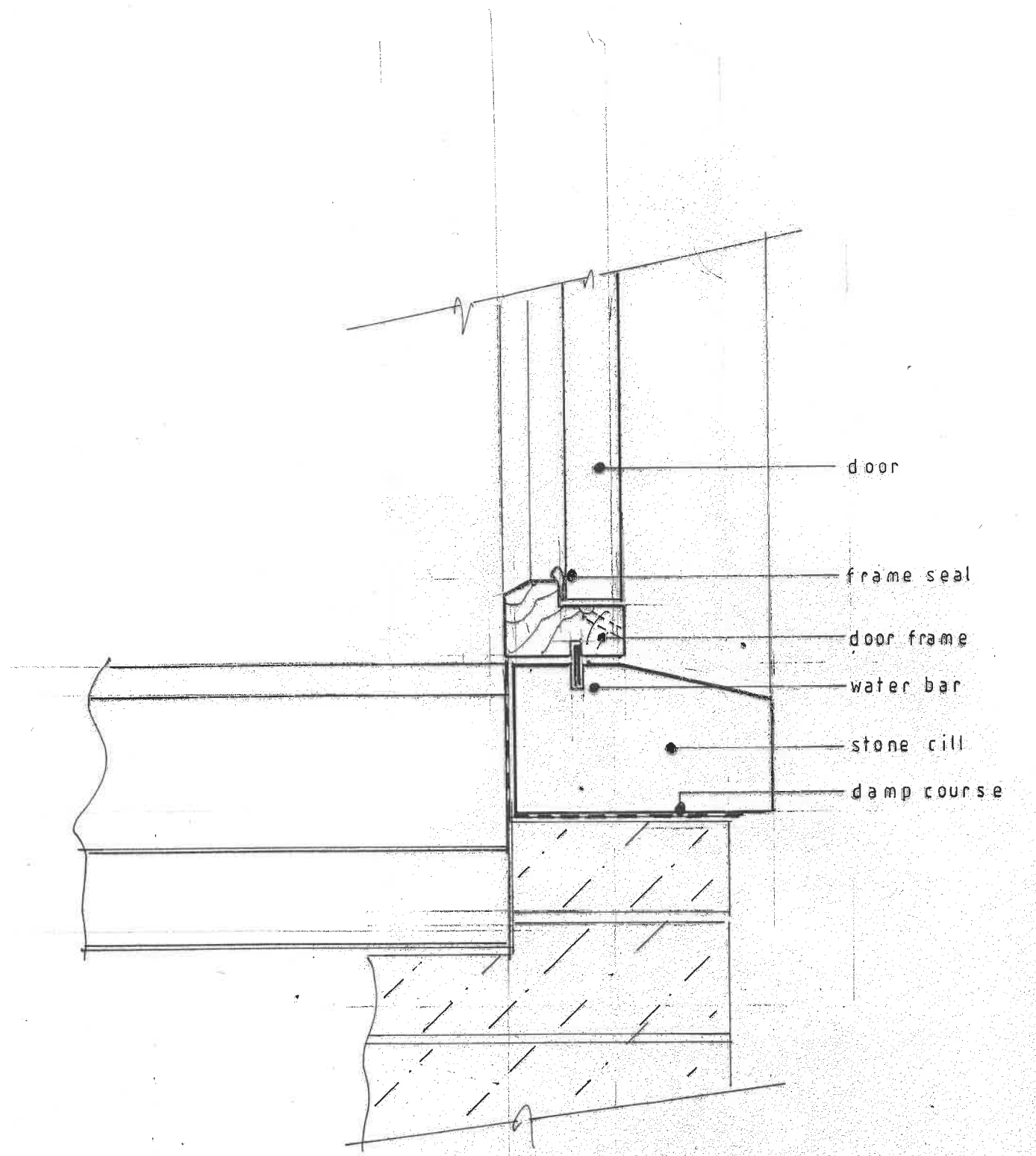
CONDITION NO 4



Window Frame Detail

1:20

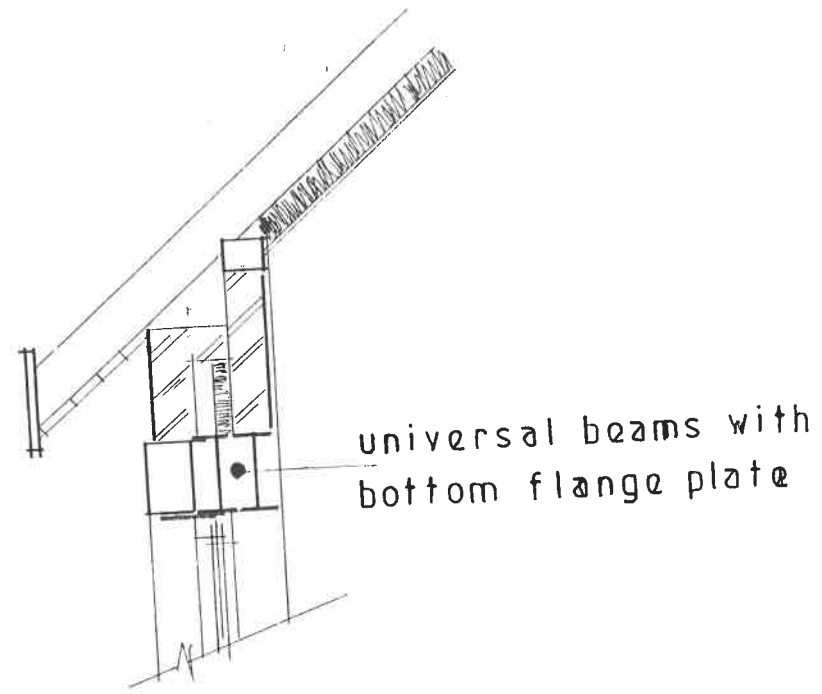
drawing 8050



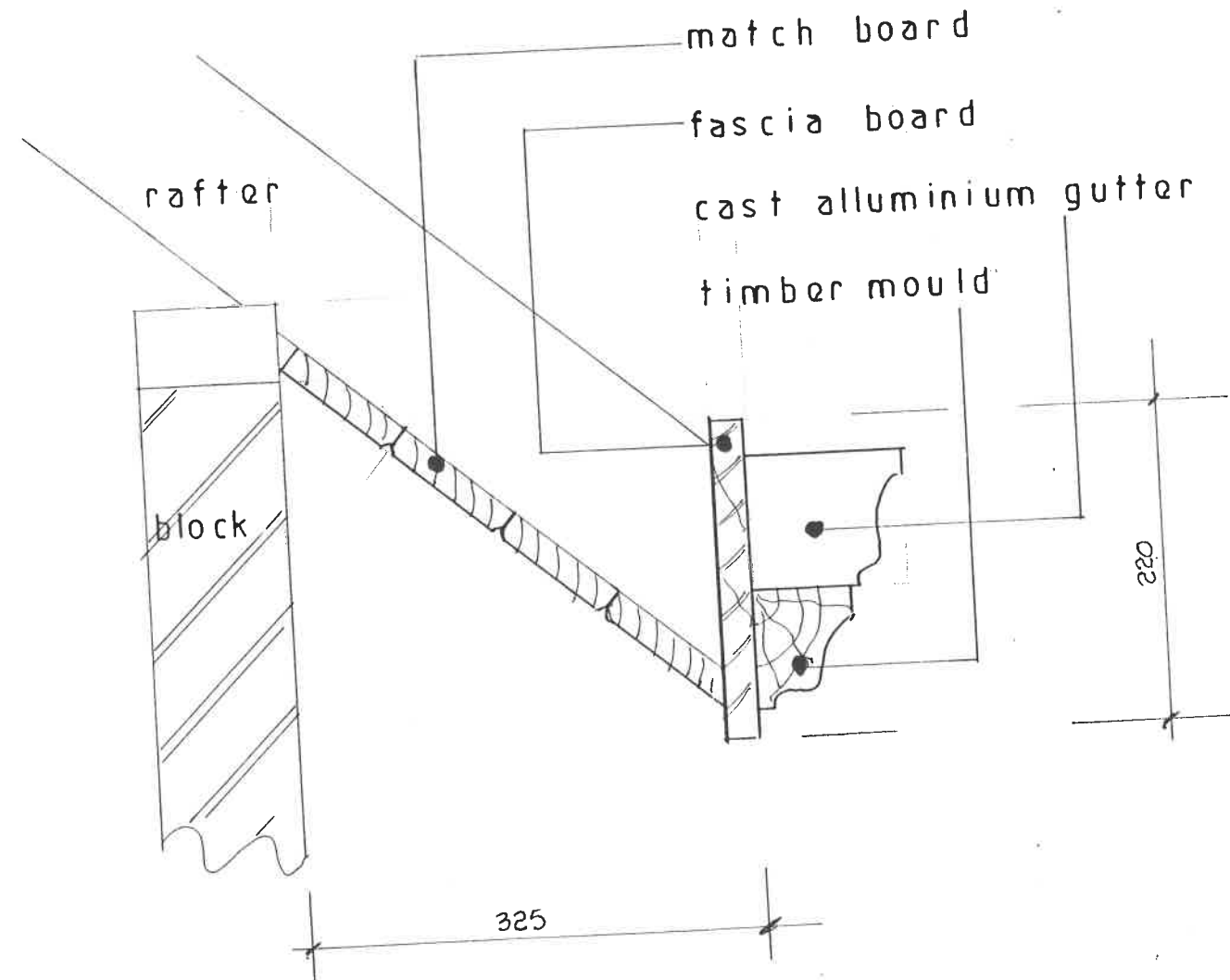
Door Frame Detail

1 20

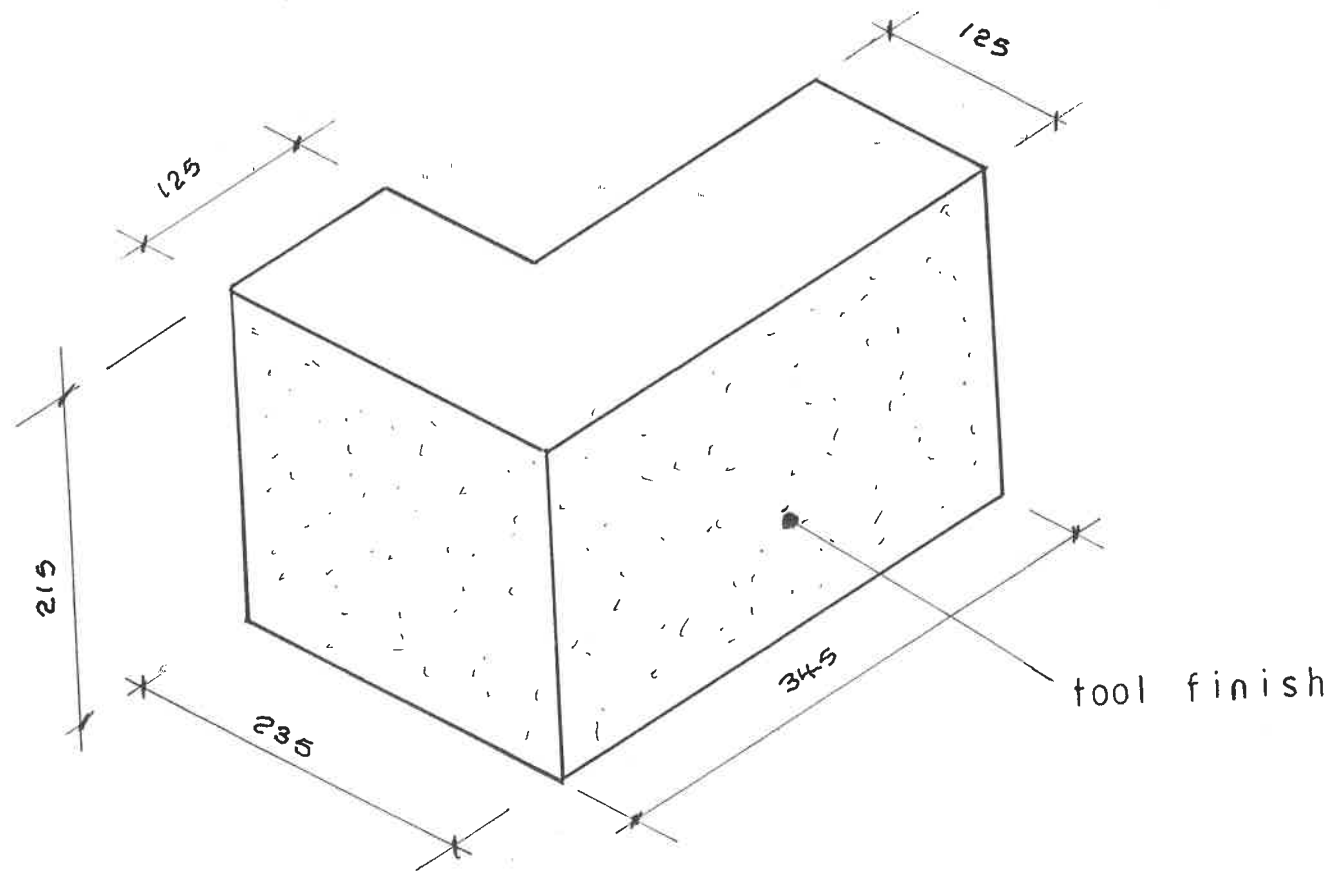
drawing 8051



Principle Glazed Frame Head



Eaves Detail



Sandstone Quoin Detail