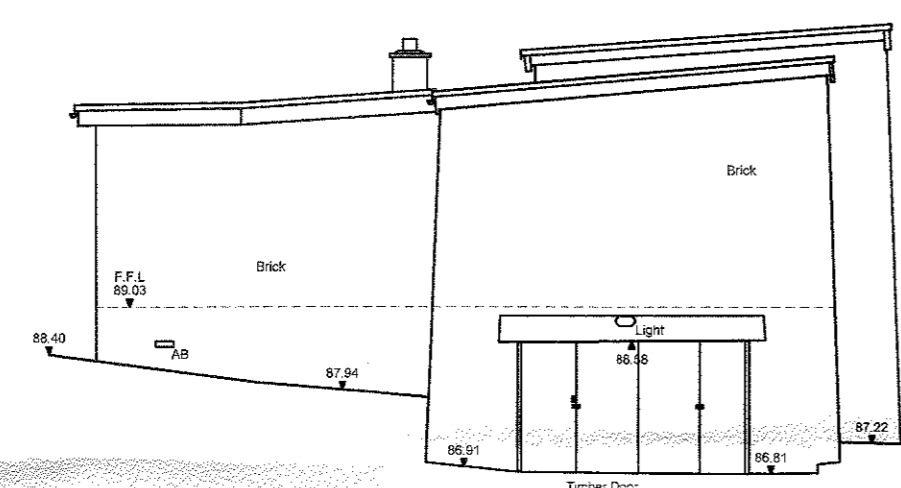


▼ 85.00m above OS Datum

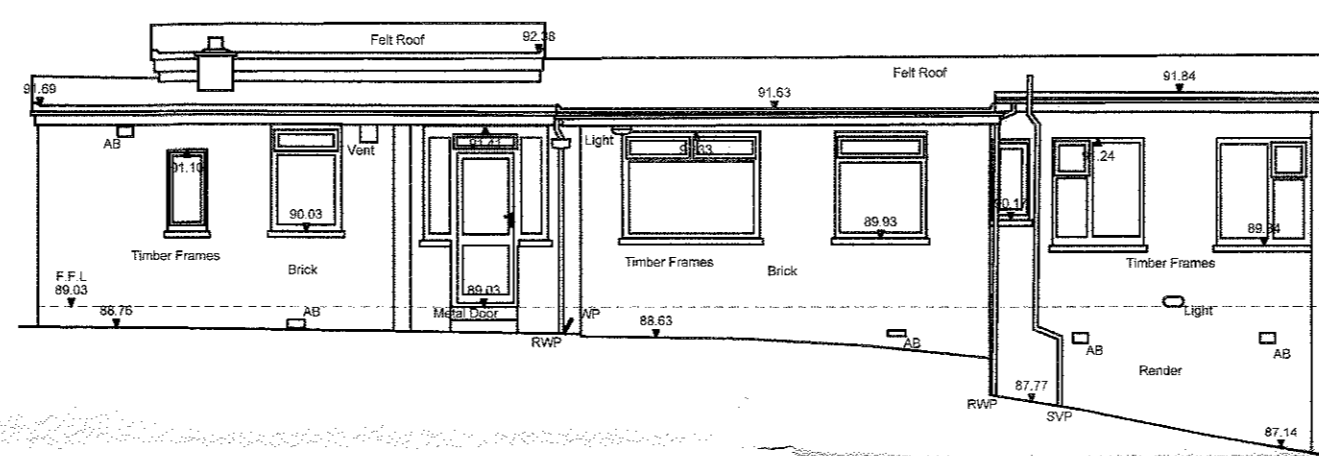
EXISTING NORTH WEST ELEVATION
Scale 1:100

**ADJACENT DWELLING NO. 36
PAINTER WOOD**
Scale 1:100



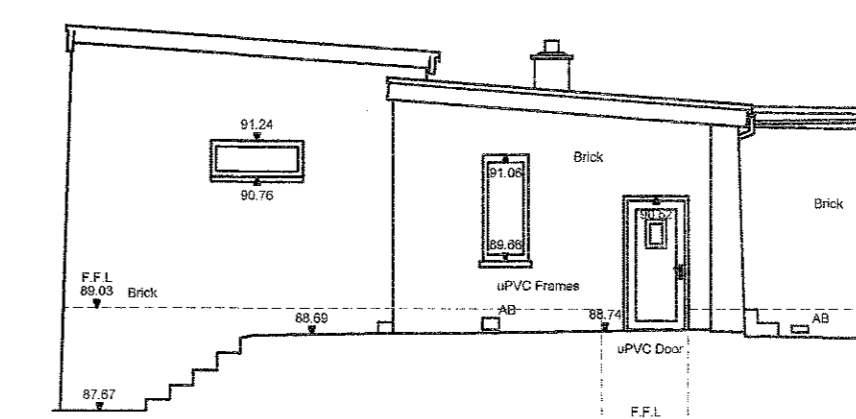
▼ 85.00m above OS Datum

EXISTING NORTH EAST ELEVATION
Scale 1:100



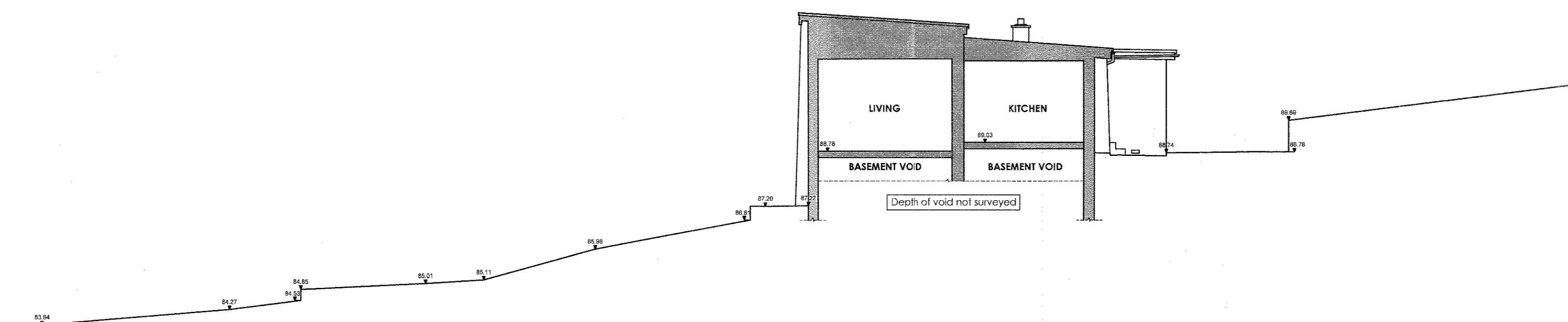
▼ 85.00m above OS Datum

EXISTING SOUTH EAST ELEVATION
Scale 1:100



▼ 85.00m above OS Datum

EXISTING SOUTH WEST ELEVATION
Scale 1:100



▼ 83.00m above OS Datum

EXISTING SECTION A-A
Scale 1:100

320190297P
0 2 4 8m
1:100 Scale

| | | |
|--|-------------------------|------------------------------|
| Client MR AND MRS FLETCHER | | |
| Job Title PROPOSED ALTERATIONS AND EXTENSION TO NO. 34 PAINTER WOOD BILLINGTON | | |
| Drawing Title EXISTING ELEVATIONS AND SECTION | | |
| Scale 1:100 @ A1 | Date Nov 2018 | Drawn Paul Gudgeon |

spa
SUNDERLAND PEACOCK ARCHITECTS
SUNDERLAND PEACOCK & ASSOCIATES LTD.
HAZELBERE, FARMICO ROAD, CLITHEROE
LANCASHIRE, SK7 2AG
T 01500 423178 F 01500 427328
E s.p.a@peacock-architects.com
www.sunderlandpeacock.com

5744 - 03