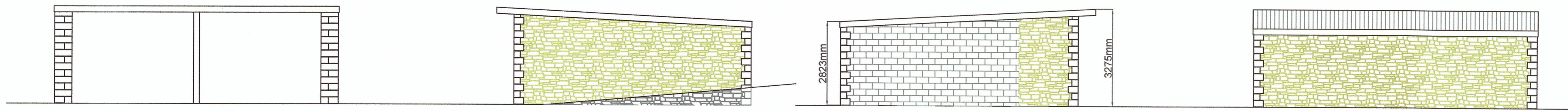


Existing & Proposed Garage Building (Building No. 7)

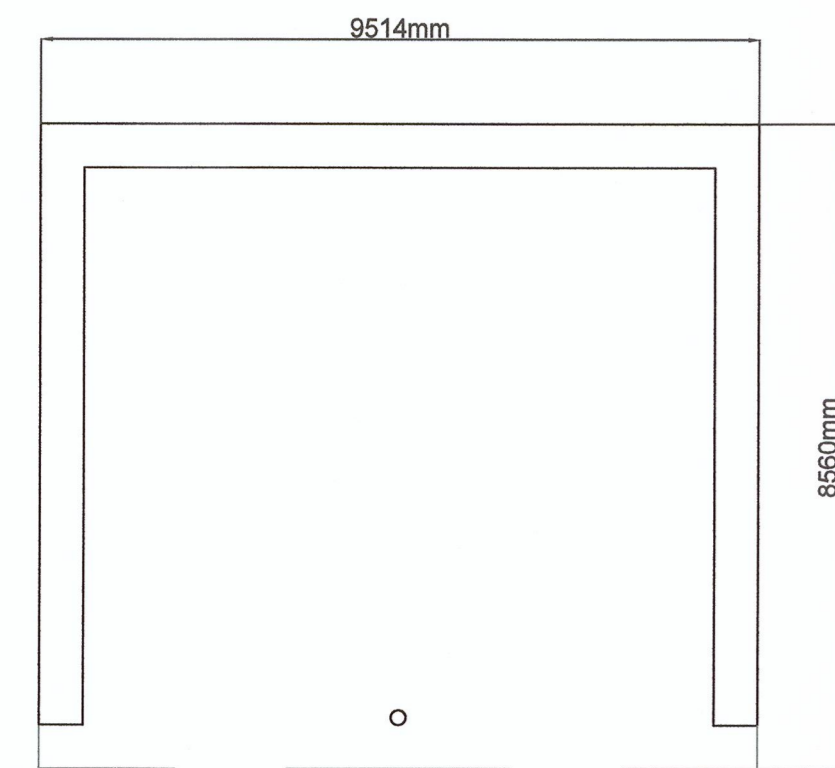


EXISTING FRONT ELEVATION (East)

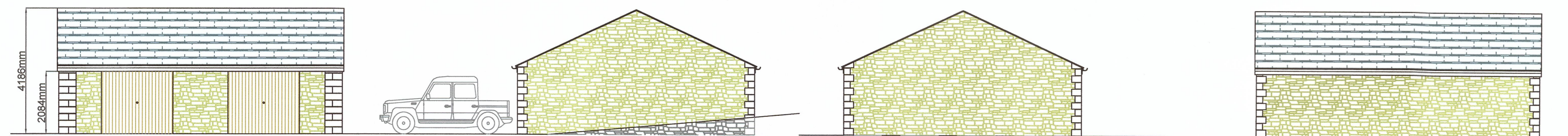
EXISTING SIDE ELEVATION (North)

EXISTING SIDE ELEVATION (South)

EXISTING REAR ELEVATION (West)



EXISTING PLAN.

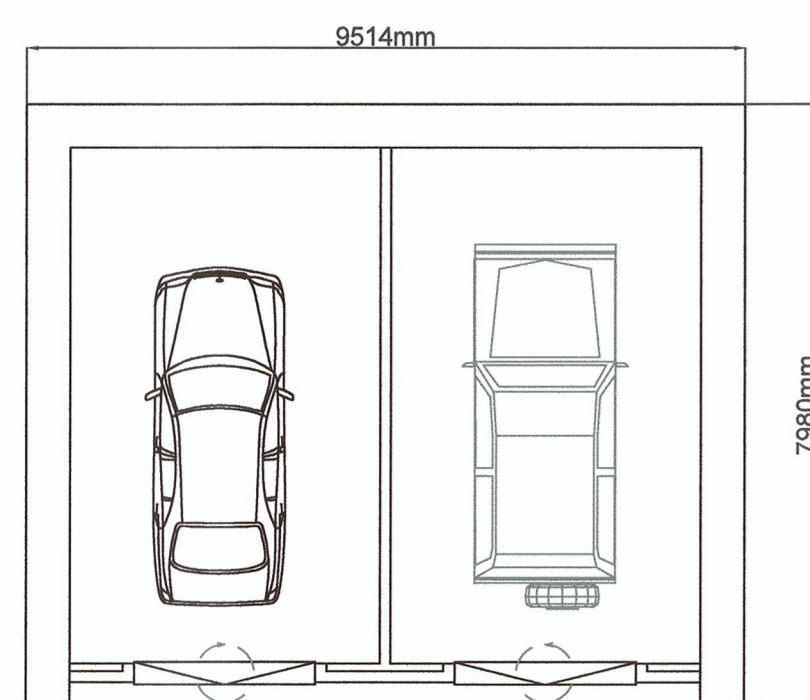


PROPOSED FRONT ELEVATION (East)

PROPOSED SIDE ELEVATION (North)

PROPOSED SIDE ELEVATION (South)

PROPOSED REAR ELEVATION (West)



PROPOSED PLAN.

32 01903 56

<b>J. HADFIELD. ENGINEERING, SURVEYING.</b>			
Springs House, Chipping, Lancashire. PR3 2GQ. Tel 07740 929006.			
Clients Details. Mr & Mrs. R. Robinson			
Project Details. Existing & Proposed Garage Building (Building No. 7) Plans & Elevations			
Project Address. Starifants Farm Longridge Rd. Chipping			
Project Number. 361/206	Date. JUL/17	Scale. 1:100	By. JH
DO NOT SCALE THIS DRAWING. CHECK ALL DIMENSIONS ON SITE			
<small>THIS DRAWING IS PROVIDED BY COPYRIGHT. IT MAY NOT BE REPRODUCED IN ANY FORM OR BY ANY MEANS FOR ANY PURPOSE, WITHOUT WRITTEN PERMISSION FROM J. HADFIELD, ENGINEERING, SURVEYING.</small>			