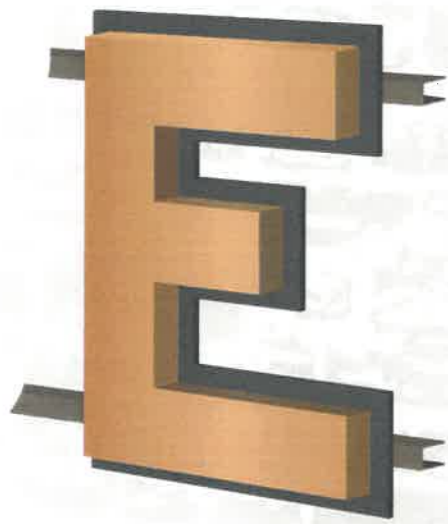
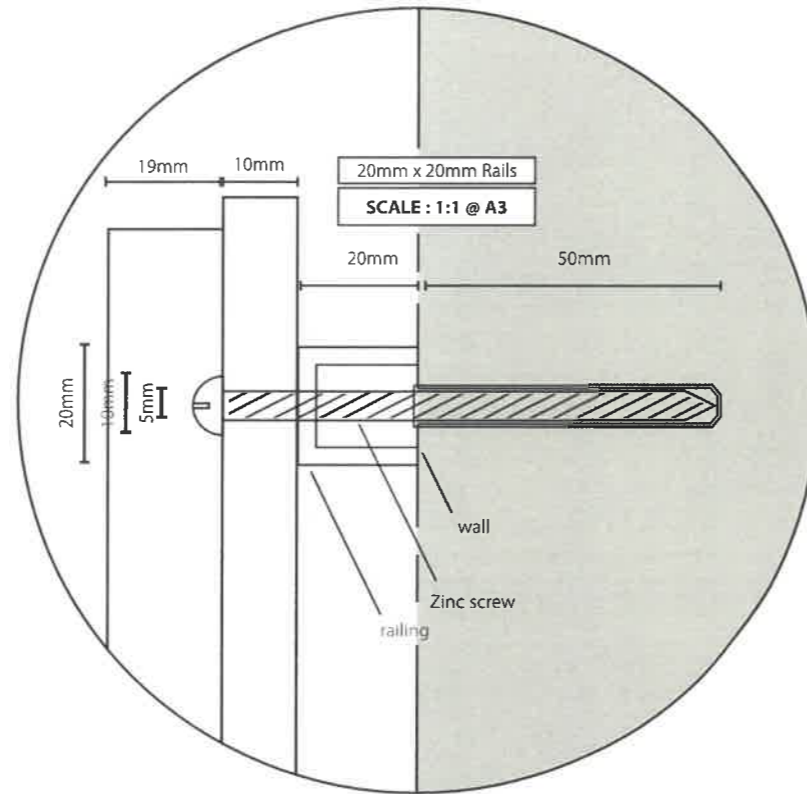


Method of fixing for Item B (see CSI 006 K A).



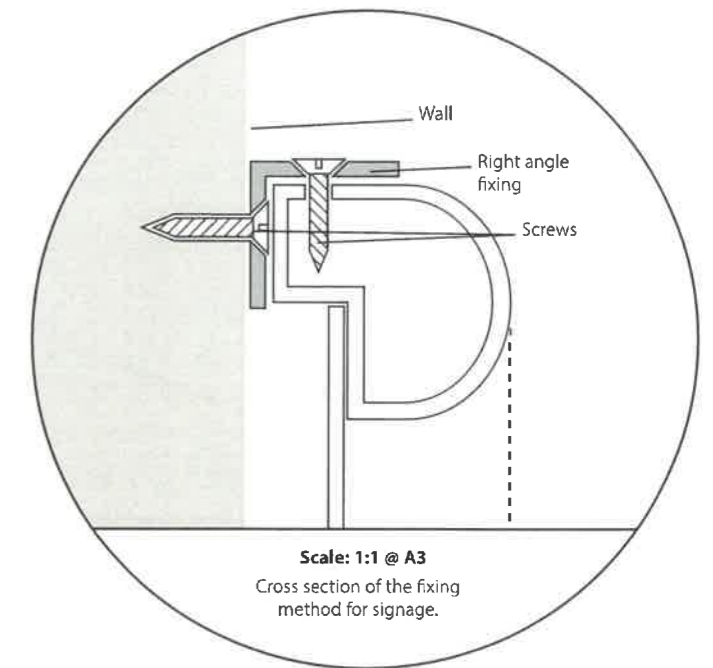
NOT TO SCALE
Visual shown is for illustration purpose only



Method of fixing for Item C, E, F (see CSI 006 K B)



NOT TO SCALE
Visual shown is for illustration purpose only



TEL: 01995 604122

Email: design@csisigns.co.uk

UNIT 14 CREAMERY INDUSTRIAL ESTATE
BARNACRE PRESTON LANCASHIRE PR3 1GD

The Designs, illustrations, and photography is the property of CSI Ltd. The contents are confidential any form of reproduction, copying disclosure, modification or distribution without prior written consent is strictly prohibited.

Please Note all colours shown are representative only and will not match Sign products exactly. Please note paint codes and pantone codes where indicated.

Visuals shown are artists impressions only and must not be taken as an exact representation of the completed signage on site.

Client:

Star Pubs & Bars

Title & Location:

The Bayley Ams - Hurst Green

Date:

21/01/2020

Drw No: CSI 006 K B

rev 3

