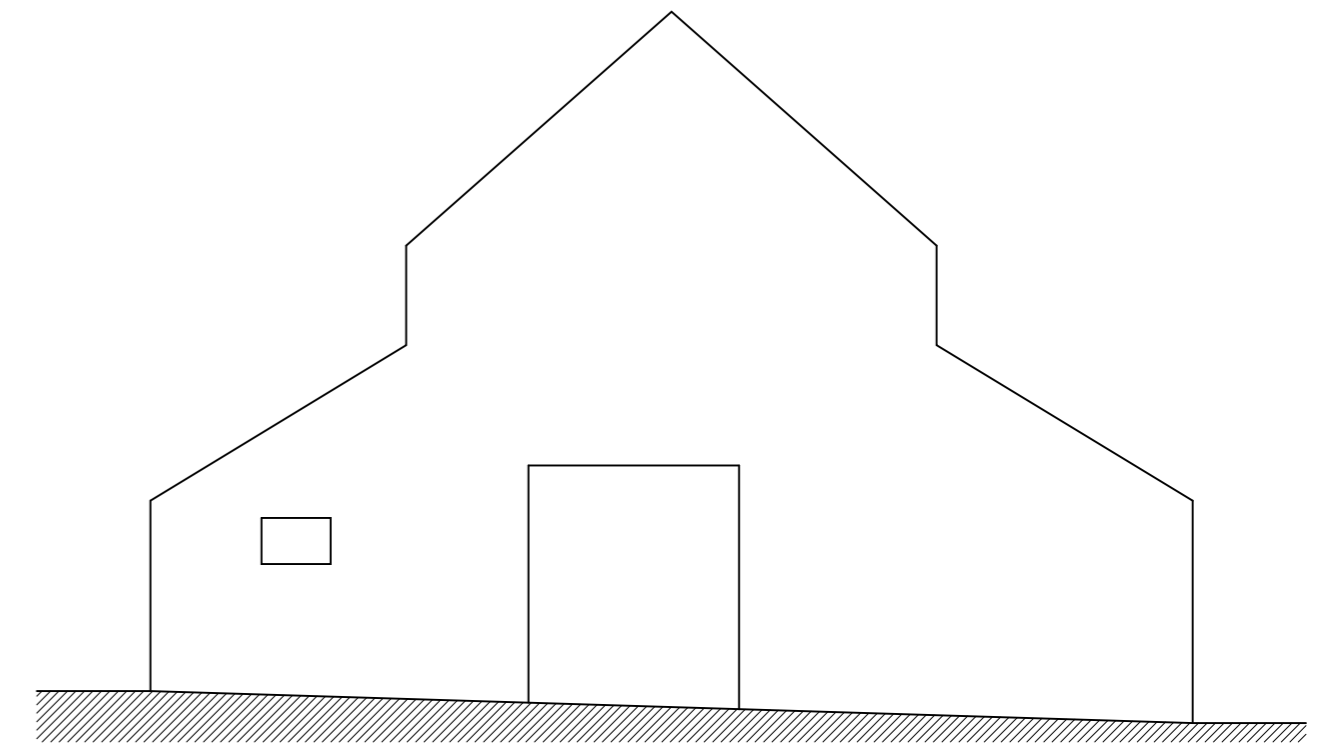
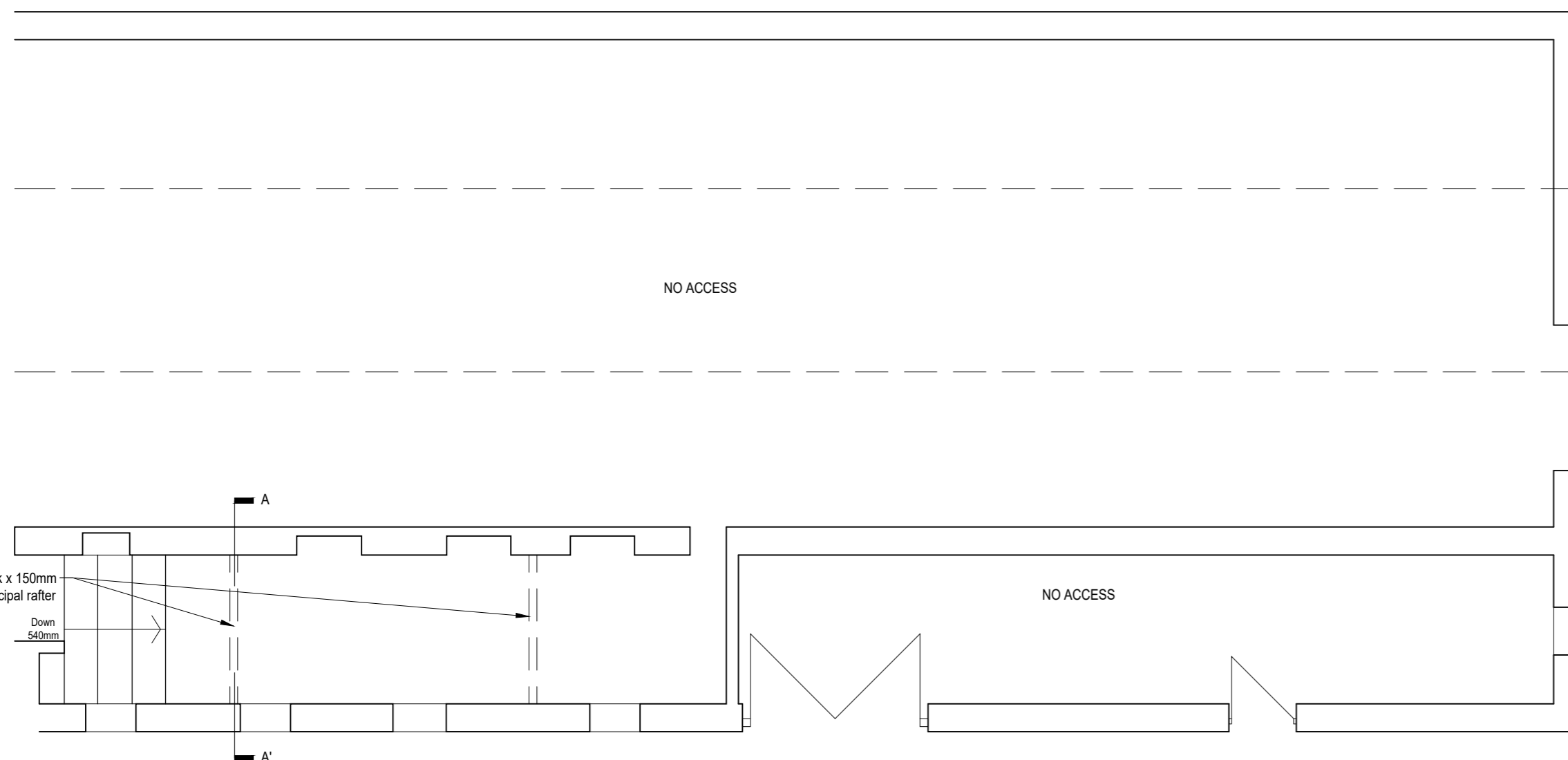


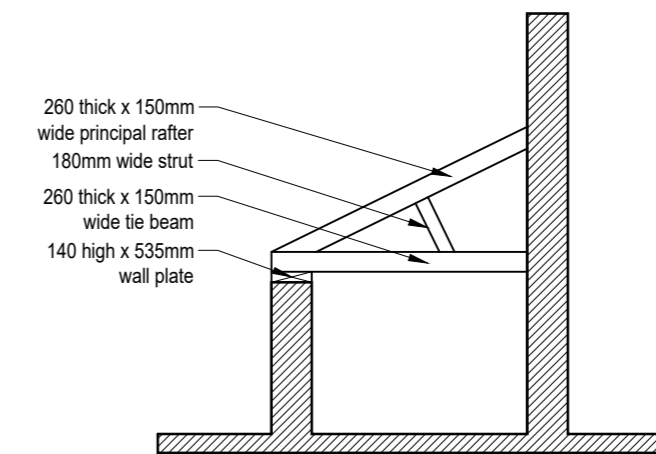
EXISTING FRONT ELEVATION



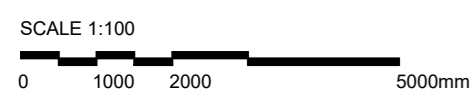
EXISTING SIDE ELEVATION



EXISTING GROUND FLOOR PLAN



EXISTING SECTION A-A'



Revisions

**Carter Jonas**

One Station Square, Cambridge, CB1 2GA  
Tel: 01223 368771  
Web: www.carterjonas.co.uk

Job title:

**HALL BARN FARM  
STONYHURST ESTATE  
CLITHEROE**

Drawing title:

**EXISTING PLAN AND ELEVATIONS  
INDICATIVE SECTION**

Date: **MARCH 2020**

Scale(s): **1:100@A2**

Drawn by: **JH**

Checked by: **IC**

Drawing No:

Rev:

**J0035650[00]01**

Copyright of this drawing is retained by Carter Jonas.  
All dimensions must be checked on site by the Contractor.  
Written dimensions are to take precedence over scaled dimensions.



Certificate No: FS 79044