

Refer to Technical Appendix 2  
Survey of Existing Trees  
c-981-01

Refer to Landscaping  
Layout for planting  
specification of private  
natural space

Native marginal planting  
83 Calluna palustris 1L  
83 Iris pseudacorus 1L  
83 Menhaden aquatica 1L  
83 Sparganium erectum 1L

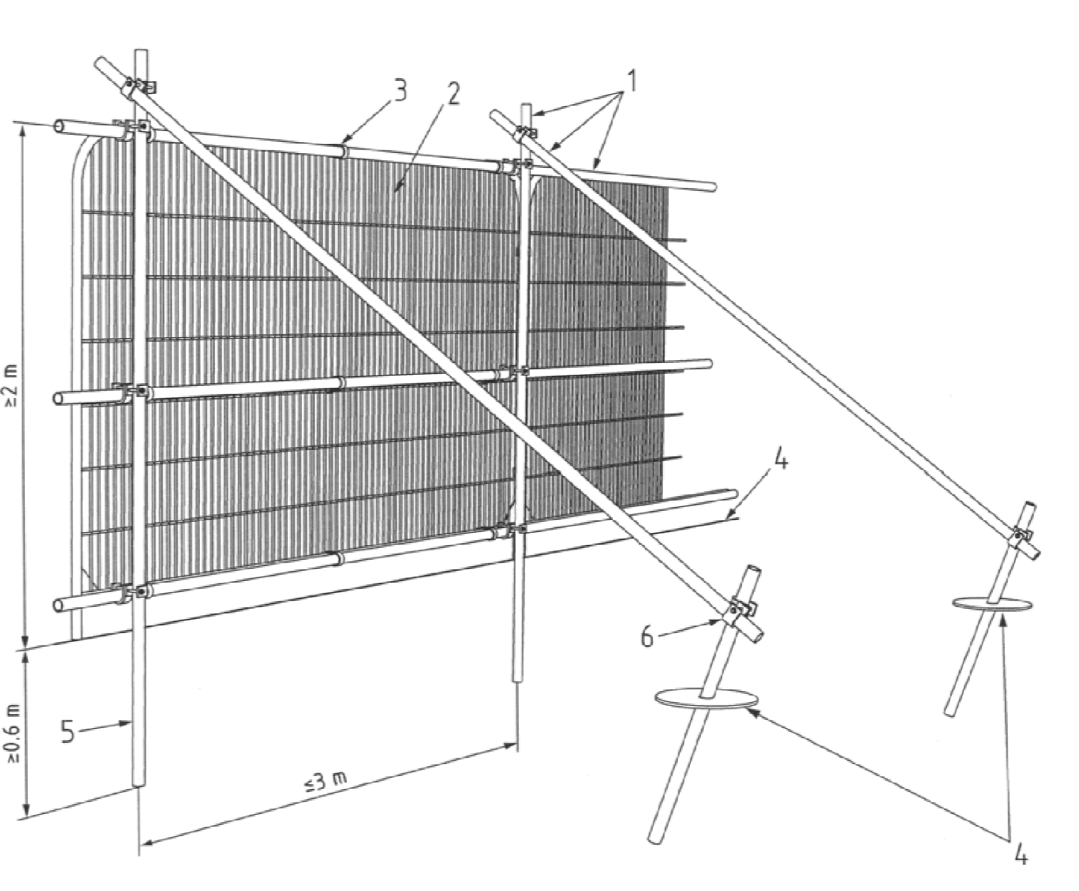
Coppul native mix  
21 Acer campestre  
30 Alnus glutinosa  
11 Betula pubescens  
21 Cornus alba  
21 Cotinus avellana  
21 Prunus spinosa  
11 Quercus robur  
21 Salix caprea  
21 Salix fragilis  
32 Viburnum opulus

Bulb planting mix  
54 Crocus tomasianus 'Whitebell Purple'  
54 Galanthus nivalis (double)  
162 Narcissus cyclamineus 'Tete-a-Tete'

Bulb planting mix  
46 Crocus tomasianus 'Whitebell Purple'  
46 Galanthus nivalis (double)  
137 Narcissus cyclamineus 'Tete-a-Tete'  
1 Ace cap Standard (Semi-mature)

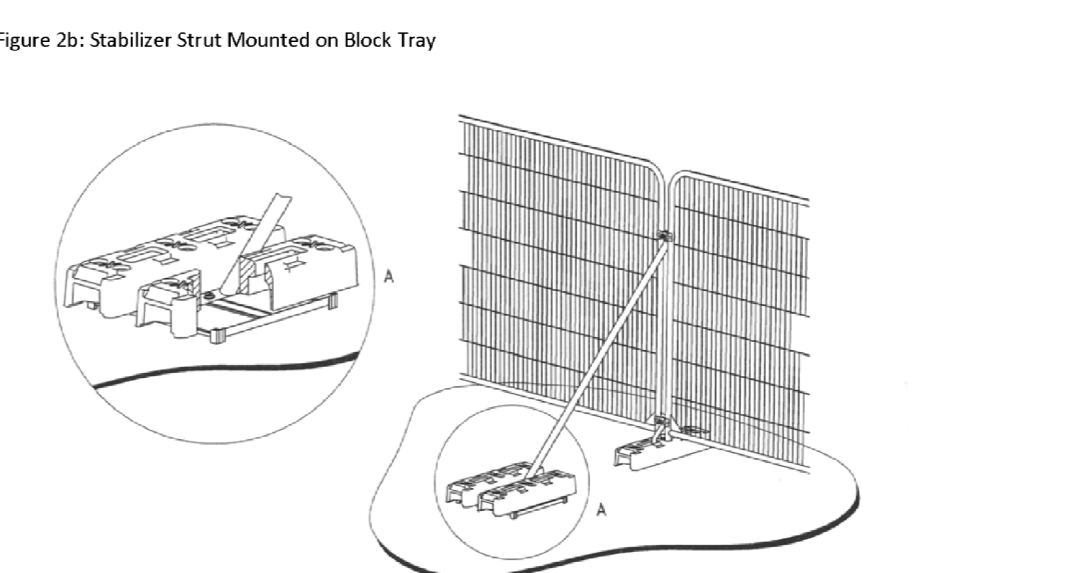
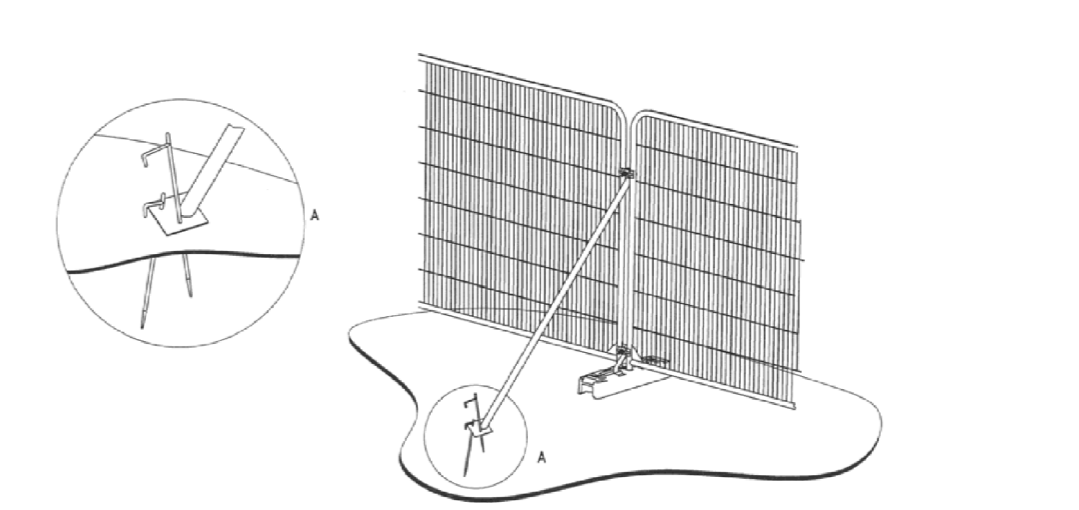
Refer to Technical Appendix 2  
Survey of Existing Trees  
c-981-01

Appendix E - Protective Fencing Detail



- KEY:
- 1 Standard scaffold pole
  - 2 Heavy gauge 2m tall galvanized tube and welded mesh infill panels
  - 3 Panels secured to uprights and cross members with wire ties
  - 4 Ground level
  - 5 Uprights driven into the ground until secure (minimum depth 0.6m)
  - 6 Standard scaffold dampers

Alternative tree protection barrier design  
2 meter tall welded mesh panels standing on rubber or concrete feet joined using a minimum of two anti-tamper clips installed so they can only be removed from inside the protected area. The fence uprights should be at spaced 1m apart, but uniformly across the whole barrier. These panels must be supported within the protected area with struts attached to base plates secured by ground pins as per figure 2a.



**PROTECTIVE FENCING. THIS FENCING MUST BE MAINTAINED IN ACCORDANCE WITH THE APPROVED PLANS AND DRAWINGS FOR THIS DEVELOPMENT.**

**TREE PROTECTION AREA KEEP OUT!**  
THIS IS A PROTECTED AREA. ANY ENTRY INTO THIS AREA IS PROHIBITED. CONTRAVENTION OF A TREE PROTECTION ORDER MAY LEAD TO CRIMINAL PROSECUTION.  
ANY UNAUTHORIZED ENTRY INTO THIS AREA MUST BE REPORTED TO THE LOCAL PLANNING AUTHORITY.

- Trees in any location may be protected by legislation. Where development is proposed, additional legal protection may be appropriate and can be enforced by the local authority. Attention is drawn to legal controls and liabilities under common law for consideration at the earliest stages of potential site development.
- The Town and Country Planning Act 1990 requires that, except in certain circumstances, "no work shall be carried out which will affect trees over a certain size which are situated in Conservation Areas". Six weeks' notice of intent has to be given to the local authority before the work is carried out. This provides an opportunity for the local authority to make a Tree Preservation Order (TPO) under the Act to protect the trees.
- The Preservation Order allows for trees to be protected either as individuals, groups, areas or woodlands. The orders have the effect of preventing the cutting down, topping, lopping, spreading, wilful damage or wilful destruction of trees, except in certain circumstances, other than with consent of the local authority.
- Even when no specific legal protection exists, it may be necessary to obtain a felling licence. These apply of the volume of timber exceeds specified amounts, site clearance, even of small areas, before detailed planning permission has been granted could exceed the felling licence quota. The Forestry Commission, under the Forestry Act 1967, administers felling licences.
- Before carrying out any work on a tree or forestry operations, consideration should be given to the following legislation for protected species of flora and fauna: The Wildlife and Countryside Act 1981 (as amended), the Conservation (Natural Habitats & S. 61 Regulations) 1994 (as amended), and the Countrywide Rights of Way Act 2000 protected species of flora and fauna. The will prevent any harm or damage to protected species.
- Substantial penalties and or prison sentences can be incurred for contravention of legislation relating to protected species.
- PDP Associates has not been requested to make any checks for protected species on this site.

Full Planting Schedule		Date		No.		No.		No.		No.		No.		No.		No.		No.		No.			
Reference	Item	Plant	Size	Quantity	Plant	Size	Quantity	Plant	Size	Quantity	Plant	Size	Quantity	Plant	Size	Quantity	Plant	Size	Quantity	Plant	Size	Quantity	
1	1	Aln glr	Standard (Extra heavy)	1	1	Aln glr	Standard (Extra heavy)	1	1	Aln glr	Standard (Extra heavy)	1	1	Aln glr	Standard (Extra heavy)	1	1	Aln glr	Standard (Extra heavy)	1	1	Aln glr	Standard (Extra heavy)
2	1	Aln glr	Standard (Semi-mature)	1	1	Aln glr	Standard (Semi-mature)	1	1	Aln glr	Standard (Semi-mature)	1	1	Aln glr	Standard (Semi-mature)	1	1	Aln glr	Standard (Semi-mature)	1	1	Aln glr	Standard (Semi-mature)
3	1	Aln glr	Standard (Semi-mature)	1	1	Aln glr	Standard (Semi-mature)	1	1	Aln glr	Standard (Semi-mature)	1	1	Aln glr	Standard (Semi-mature)	1	1	Aln glr	Standard (Semi-mature)	1	1	Aln glr	Standard (Semi-mature)
4	1	Aln glr	Standard (Semi-mature)	1	1	Aln glr	Standard (Semi-mature)	1	1	Aln glr	Standard (Semi-mature)	1	1	Aln glr	Standard (Semi-mature)	1	1	Aln glr	Standard (Semi-mature)	1	1	Aln glr	Standard (Semi-mature)
5	1	Aln glr	Standard (Semi-mature)	1	1	Aln glr	Standard (Semi-mature)	1	1	Aln glr	Standard (Semi-mature)	1	1	Aln glr	Standard (Semi-mature)	1	1	Aln glr	Standard (Semi-mature)	1	1	Aln glr	Standard (Semi-mature)
6	1	Aln glr	Standard (Semi-mature)	1	1	Aln glr	Standard (Semi-mature)	1	1	Aln glr	Standard (Semi-mature)	1	1	Aln glr	Standard (Semi-mature)	1	1	Aln glr	Standard (Semi-mature)	1	1	Aln glr	Standard (Semi-mature)
7	1	Aln glr	Standard (Semi-mature)	1	1	Aln glr	Standard (Semi-mature)	1	1	Aln glr	Standard (Semi-mature)	1	1	Aln glr	Standard (Semi-mature)	1	1	Aln glr	Standard (Semi-mature)	1	1	Aln glr	Standard (Semi-mature)
8	1	Aln glr	Standard (Semi-mature)	1	1	Aln glr	Standard (Semi-mature)	1	1	Aln glr	Standard (Semi-mature)	1	1	Aln glr	Standard (Semi-mature)	1	1	Aln glr	Standard (Semi-mature)	1	1	Aln glr	Standard (Semi-mature)
9	1	Aln glr	Standard (Semi-mature)	1	1	Aln glr	Standard (Semi-mature)	1	1	Aln glr	Standard (Semi-mature)	1	1	Aln glr	Standard (Semi-mature)	1	1	Aln glr	Standard (Semi-mature)	1	1	Aln glr	Standard (Semi-mature)
10	1	Aln glr	Standard (Semi-mature)	1	1	Aln glr	Standard (Semi-mature)	1	1	Aln glr	Standard (Semi-mature)	1	1	Aln glr	Standard (Semi-mature)	1	1	Aln glr	Standard (Semi-mature)	1	1	Aln glr	Standard (Semi-mature)
11	1	Aln glr	Standard (Semi-mature)	1	1	Aln glr	Standard (Semi-mature)	1	1	Aln glr	Standard (Semi-mature)	1	1	Aln glr	Standard (Semi-mature)	1	1	Aln glr	Standard (Semi-mature)	1	1	Aln glr	Standard (Semi-mature)
12	1	Aln glr	Standard (Semi-mature)	1	1	Aln glr	Standard (Semi-mature)	1	1	Aln glr	Standard (Semi-mature)	1	1	Aln glr	Standard (Semi-mature)	1	1	Aln glr	Standard (Semi-mature)	1	1	Aln glr	Standard (Semi-mature)
13	1	Aln glr	Standard (Semi-mature)	1	1	Aln glr	Standard (Semi-mature)	1	1	Aln glr	Standard (Semi-mature)	1	1	Aln glr	Standard (Semi-mature)	1	1	Aln glr	Standard (Semi-mature)	1	1	Aln glr	Standard (Semi-mature)
14	1	Aln glr	Standard (Semi-mature)	1	1	Aln glr	Standard (Semi-mature)	1	1	Aln glr	Standard (Semi-mature)	1	1	Aln glr	Standard (Semi-mature)	1	1	Aln glr	Standard (Semi-mature)	1	1	Aln glr	Standard (Semi-mature)
15	1	Aln glr	Standard (Semi-mature)	1	1	Aln glr	Standard (Semi-mature)	1	1	Aln glr	Standard (Semi-mature)	1	1	Aln glr	Standard (Semi-mature)	1	1	Aln glr	Standard (Semi-mature)	1	1	Aln glr	Standard (Semi-mature)
16	1	Aln glr	Standard (Semi-mature)	1	1	Aln glr	Standard (Semi-mature)	1	1	Aln glr	Standard (Semi-mature)	1	1	Aln glr	Standard (Semi-mature)	1	1	Aln glr	Standard (Semi-mature)	1	1	Aln glr	Standard (Semi-mature)
17	1	Aln glr	Standard (Semi-mature)	1	1	Aln glr	Standard (Semi-mature)	1	1	Aln glr	Standard (Semi-mature)	1	1	Aln glr	Standard (Semi-mature)	1	1	Aln glr	Standard (Semi-mature)	1	1	Aln glr	Standard (Semi-mature)
18	1	Aln glr	Standard (Semi-mature)	1	1	Aln glr	Standard (Semi-mature)	1	1	Aln glr	Standard (Semi-mature)	1	1	Aln glr	Standard (Semi-mature)	1	1	Aln glr	Standard (Semi-mature)	1	1	Aln glr	Standard (Semi-mature)
19	1	Aln glr	Standard (Semi-mature)	1	1	Aln glr	Standard (Semi-mature)	1	1	Aln glr	Standard (Semi-mature)	1	1	Aln glr	Standard (Semi-mature)	1	1	Aln glr	Standard (Semi-mature)	1	1	Aln glr	Standard (Semi-mature)
20	1	Aln glr	Standard (Semi-mature)	1	1	Aln glr	Standard (Semi-mature)	1	1	Aln glr	Standard (Semi-mature)	1	1	Aln glr	Standard (Semi-mature)	1	1	Aln glr	Standard (Semi-mature)	1	1	Aln glr	Standard (Semi-mature)
21	1	Aln glr	Standard (Semi-mature)	1	1	Aln glr	Standard (Semi-mature)	1	1	Aln glr	Standard (Semi-mature)	1	1	Aln glr	Standard (Semi-mature)	1	1	Aln glr	Standard (Semi-mature)	1	1	Aln glr	Standard (Semi-mature)
22	1	Aln glr	Standard (Semi-mature)	1	1	Aln glr	Standard (Semi-mature)	1	1	Aln glr	Standard (Semi-mature)	1	1	Aln glr	Standard (Semi-mature)	1	1	Aln glr	Standard (Semi-mature)	1	1	Aln glr	Standard (Semi-mature)
23	1	Aln glr	Standard (Semi-mature)	1	1	Aln glr	Standard (Semi-mature)	1	1	Aln glr	Standard (Semi-mature)	1	1	Aln glr	Standard (Semi-mature)	1	1	Aln glr	Standard (Semi-mature)	1	1	Aln glr	Standard (Semi-mature)
24	1	Aln glr	Standard (Semi-mature)	1	1	Aln glr	Standard (Semi-mature)	1	1	Aln glr	Standard (Semi-mature)	1	1	Aln glr	Standard (Semi-mature)	1	1	Aln glr	Standard (Semi-mature)	1	1	Aln glr	Standard (Semi-mature)
25	1	Aln glr	Standard (Semi-mature)	1	1	Aln glr	Standard (Semi-mature)	1	1	Aln glr	Standard (Semi-mature)	1	1	Aln glr	Standard (Semi-mature)	1	1	Aln glr	Standard (Semi-mature)	1	1	Aln glr	Standard (Semi-mature)
26	1	Aln glr	Standard (Semi-mature)	1	1	Aln glr	Standard (Semi-mature)	1	1	Aln glr	Standard (Semi-mature)	1	1	Aln glr	Standard (Semi-mature)	1	1	Aln glr	Standard (Semi-mature)	1	1	Aln glr	Standard (Semi-mature)
27	1	Aln glr	Standard (Semi-mature)	1	1	Aln glr	Standard (Semi-mature)	1	1	Aln glr	Standard (Semi-mature)	1	1	Aln glr	Standard (Semi-mature)	1	1	Aln glr	Standard (Semi-mature)	1	1	Aln glr	Standard (Semi-mature)
28	1	Aln glr	Standard (Semi-mature)	1	1	Aln glr	Standard (Semi-mature)	1	1	Aln glr	Standard (Semi-mature)	1	1	Aln glr	Standard (Semi-mature)	1	1	Aln glr	Standard (Semi-mature)	1	1	Aln glr	Standard (Semi-mature)
29	1	Aln glr	Standard (Semi-mature)	1	1	Aln glr	Standard (Semi-mature)	1	1	Aln glr	Standard (Semi-mature)	1	1	Aln glr	Standard (Semi-mature)	1	1	Aln glr	Standard (Semi-mature)	1	1	Aln glr	Standard (Semi-mature)
30	1	Aln glr	Standard (Semi-mature)	1	1	Aln glr	Standard (Semi-mature)	1	1	Aln glr	Standard (Semi-mature)	1	1	Aln glr	Standard (Semi-mature)	1	1	Aln glr	Standard (Semi-mature)	1	1	Aln glr	Standard (Semi-mature)
31	1	Aln glr	Standard (Semi-mature)	1	1	Aln glr	Standard (Semi-mature)	1	1	Aln glr	Standard (Semi-mature)	1	1	Aln glr	Standard (Semi-mature)	1	1	Aln glr	Standard (Semi-mature)	1	1	Aln glr	Standard (Semi-mature)
32	1	Aln glr	Standard (Semi-mature)	1	1	Aln glr	Standard (Semi-mature)	1	1	Aln glr	Standard (Semi-mature)	1	1	Aln glr	Standard (Semi-mature)	1	1	Aln glr	Standard (Semi-mature)	1	1	Aln glr	Standard (Semi-mature)
33	1	Aln glr	Standard (Semi-mature)	1	1	Aln glr	Standard (Semi-mature)	1	1	Aln glr	Standard (Semi-mature)	1	1	Aln glr	Standard (Semi-mature)	1	1	Aln glr	Standard (Semi-mature)	1	1	Aln glr	Standard (Semi-mature)
34	1	Aln glr	Standard (Semi-mature)	1	1	Aln glr	Standard (Semi-mature)	1	1	Aln glr	Standard (Semi-mature)	1	1	Aln glr	Standard (Semi-mature)	1	1	Aln glr	Standard (Semi-mature)	1	1	Aln glr	Standard (Semi-mature)
35	1	Aln glr	Standard (Semi-mature)	1	1	Aln glr	Standard (Semi-mature)	1	1	Aln glr	Standard (Semi-mature)	1	1	Aln glr	Standard (Semi-mature)	1	1	Aln glr	Standard (Semi-mature)	1	1	Aln glr	Standard (Semi-mature)
36	1	Aln glr	Standard (Semi-mature)	1	1	Aln glr	Standard (Semi-mature)	1	1	Aln glr	Standard (Semi-mature)	1	1	Aln glr	Standard (Semi-mature)	1	1	Aln glr	Standard (Semi-mature)	1	1	Aln glr	Standard (Semi-mature)
37	1	Aln glr	Standard (Semi-mature)	1	1	Aln glr	Standard (Semi-mature)	1	1	Aln glr	Standard (Semi-mature)	1	1	Aln glr	Standard (Semi-mature)	1	1	Aln glr	Standard (Semi-mature)	1	1	Aln glr	Standard (Semi-mature)
38	1	Aln glr	Standard (Semi-mature)	1	1	Aln glr	Standard (Semi-mature)	1	1	Aln glr	Standard (Semi-mature)	1	1	Aln glr	Standard (Semi-mature)	1	1	Aln glr	Standard (Semi-mature)	1	1	Aln glr	Standard (Semi-mature)
39	1	Aln glr	Standard (Semi-mature)	1	1	Aln glr	Standard (Semi-mature)	1	1	Aln glr	Standard (Semi-mature)	1	1	Aln glr	Standard (Semi-mature)	1	1	Aln glr	Standard (Semi-mature)	1	1	Aln glr	Standard (Semi-mature)
40	1	Aln glr	Standard (Semi-mature)	1	1	Aln glr	Standard (Semi-mature)	1	1	Aln glr	Standard (Semi-mature)	1	1	Aln glr	Standard (Semi-mature)	1	1	Aln glr	Standard (Semi-mature)	1	1	Aln glr	Standard (Semi-mature)
41	1	Aln glr	Standard (Semi-mature)	1	1	Aln glr	Standard (Semi-mature)	1	1	Aln glr	Standard (Semi-mature)	1	1	Aln glr	Standard (Semi-mature)	1	1	Aln glr	Standard (Semi-mature)	1	1	Aln glr	Standard (Semi-mature)
42	1	Aln glr	Standard (Semi-mature)	1	1	Aln glr	Standard (Semi-mature)	1	1	Aln glr	Standard (Semi-mature)	1	1	Aln glr	Standard (Semi-mature)	1	1	Aln glr	Standard (Semi-mature)	1	1	Aln glr	Standard (Semi-mature)
43	1	Aln glr	Standard (Semi-mature)	1	1	Aln glr	Standard (Semi-mature)	1	1	Aln glr	Standard (Semi-mature)	1	1	Aln glr	Standard (Semi-mature)	1	1	Aln glr	Standard (Semi-mature)	1	1	Aln glr	Standard (Semi-mature)
44	1	Aln glr	Standard (Semi-mature)	1	1	Aln glr	Standard (Semi-mature)	1	1	Aln glr	Standard (Semi-mature)	1	1	Aln glr	Standard (Semi-mature)	1	1	Aln glr	Standard (Semi-mature)	1	1	Aln glr	Standard (Semi-mature)
45	1	Aln glr	Standard (Semi-mature)	1	1	Aln glr	Standard (Semi-mature)	1	1	Aln glr	Standard (Semi-mature)	1	1	Aln glr	Standard (Semi-mature)	1	1	Aln glr	Standard (Semi-mature)	1	1	Aln glr	Standard (Semi-mature)
46	1	Aln glr	Standard (Semi-mature)	1	1	Aln glr	Standard (Semi-mature)	1</															