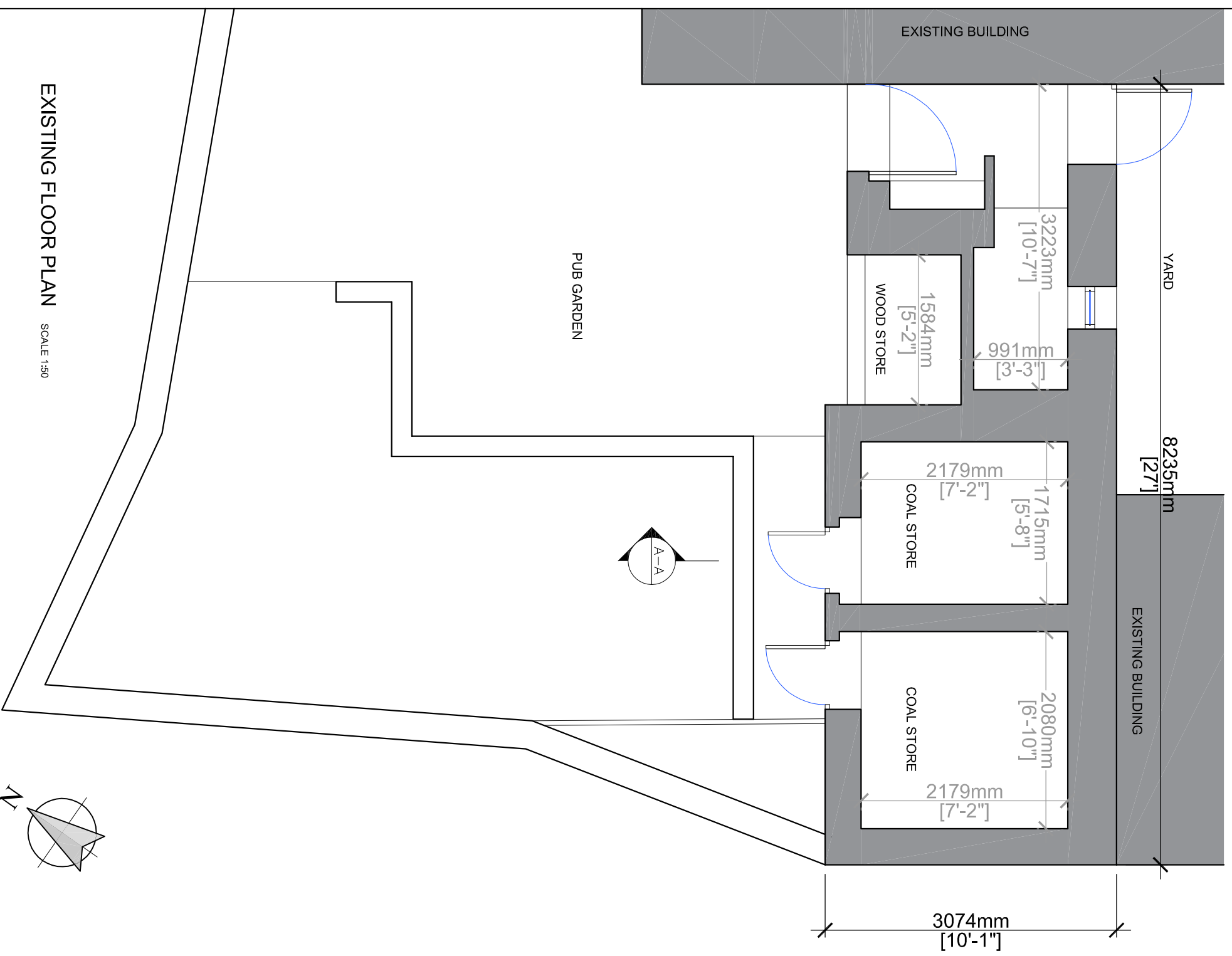
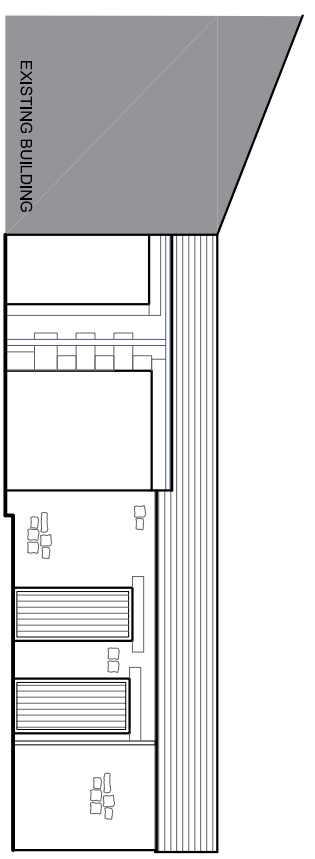


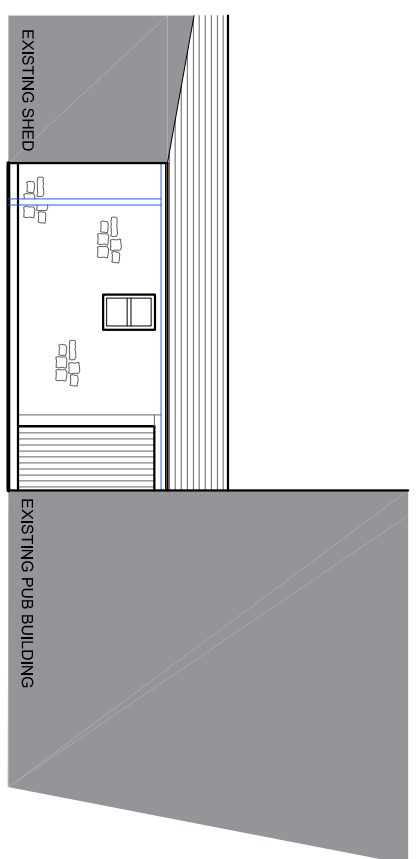
This drawing is to be read in conjunction with all relevant Architect, consultant and specialist drawings and specifications. The Architect is to be notified of any discrepancies before proceeding. Do not scale from this drawing. All work carried out before planning and building permission has been granted is at the contractor's risk. Note: proposed drawing based on OS dwg information. All indicated dimensions are approximate and all site dimensions are to be checked on site and subject to site survey.



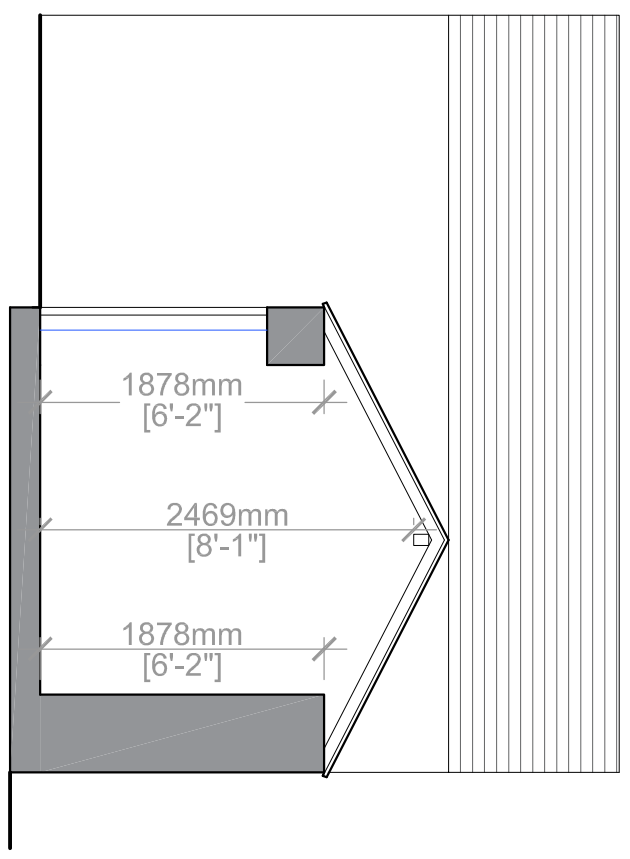
EXISTING FLOOR PLAN SCALE 1:50



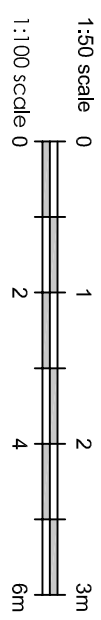
EXISTING NORTH WEST FACING ELEVATION SCALE 1:100



EXISTING SOUTH EAST FACING ELEVATION SCALE 1:100



EXISTING SECTION A-A SCALE 1:50



Client
The Lower Buck Lodgings

Job Title
Proposed Alterations to an Existing Outbuilding at The Lower Buck Inn, Edisford Road, Waddington

Drawing Title	Existing Plans and Elevations and Section		
Scale	Date	Drawn	BT
1:50/100	@ A3 June 2020		

SUNDERLAND PEACOCK & ASSOCIATES LTD.
 14 CACKSHIRE, 8847240
 LYNCHS LANE, 8147240
 T 01200 423178 F 01200 427228
 E info@sunderlandpeacock.com
 www.sunderlandpeacock.com

spa
 ARCHITECTS

6067 -E01