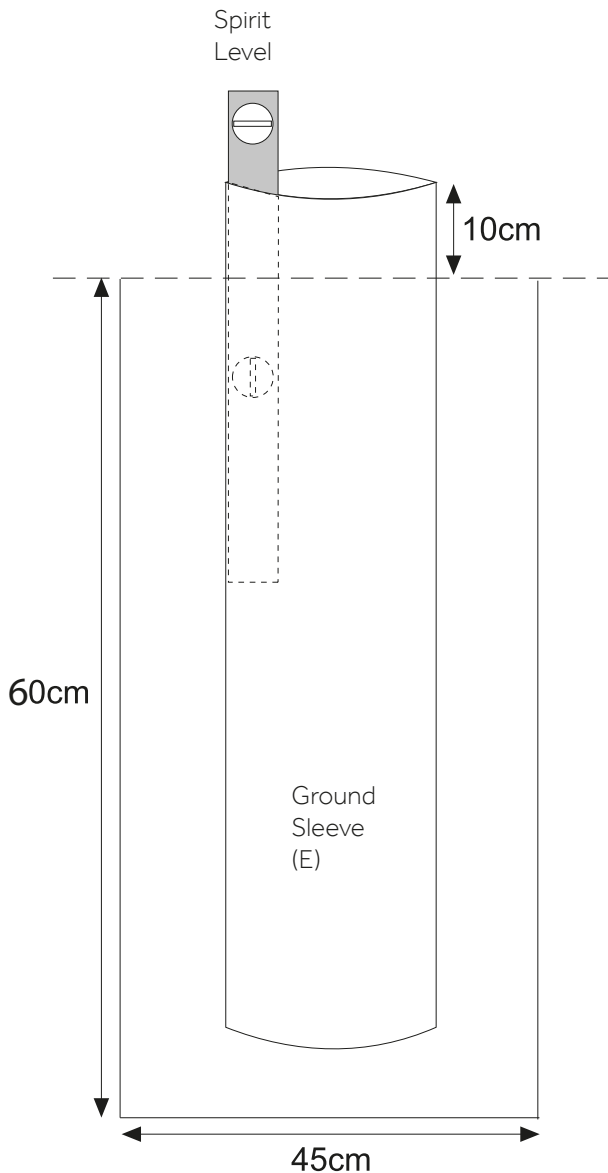


6m Aluminium Showhome Pole Banner Arm Assembly Instructions

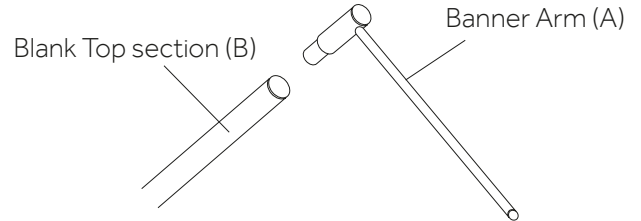
- A) Banner Arm
- B) 3.45m long Upper Pole Section (50m)
- C) Two-piece fitted plastic joint
- D) 3.45m long Lower Pole Section (65m)
- E) Ground Sleeve with fixings
- F) Chain Weight

1) Dig a hole 45x45x90cm. Place the ground sleeve in the hole and surround with concrete. To prevent the sleeve from moving around or floating in the concrete place a brick on top of the sleeve to keep it in the correct position.

When adjusting the ground sleeve, use a spirit level to ensure the sleeve is vertical. This will ensure a straight flag pole.

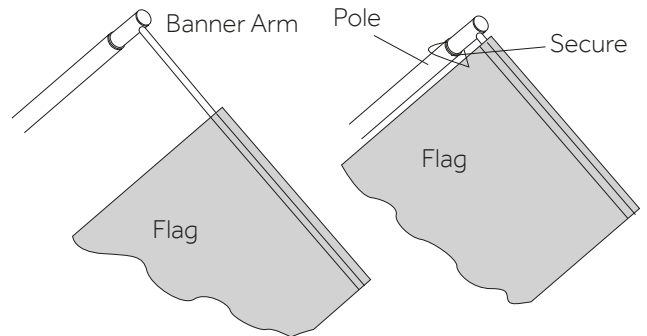


2) Connect Banner Arm to top section.

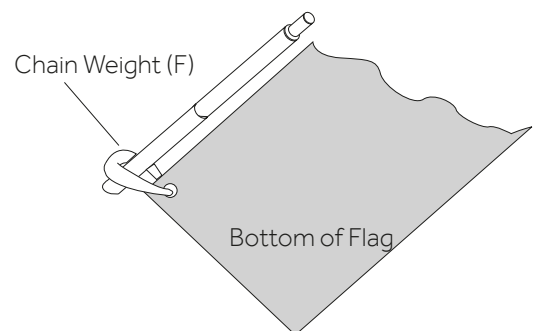


3) Insert top section into plastic two piece joint located in bottom section

4) Attach the flag by putting the top sleeve along the Banner Arm, and securing the top eyelet of the flag with a cable tie around the upright section of the pole. This will stop the flag sliding off.



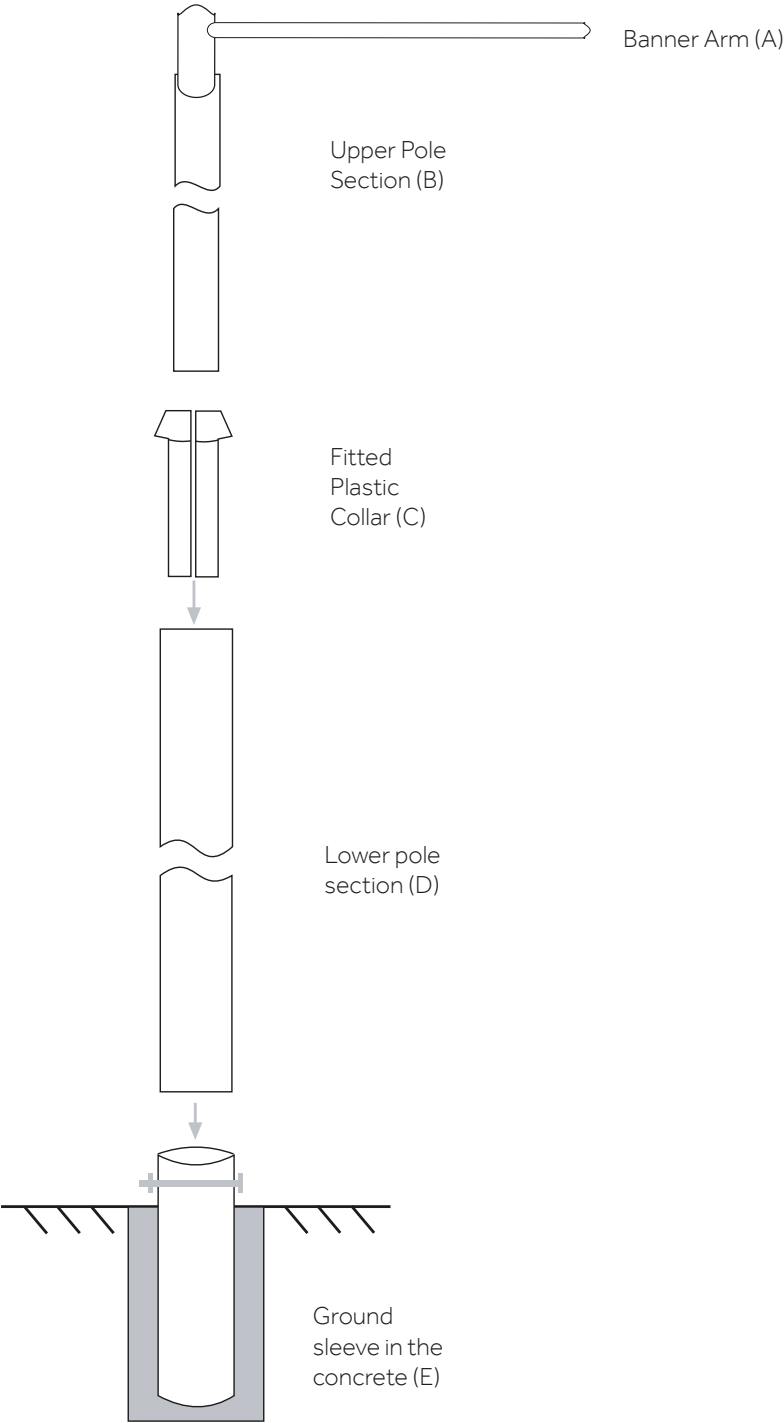
5) Open the carbine clip found attached to the security weight, and take out one end of the security weight. Put the security weight around the pole and reconnect both.



6) Lower top section into collar.

6m Aluminium Showhome Pole Banner Arm Assembly Instructions

6) Make sure concrete has set then lower the bottom pole into the ground sleeve and secure with the nut and bolt. Then secure the halyard to the cleat.



ORDER AT: ian@adworks.uk.com
0113 244 8885