

Based on:	Architects Dwg No. X	Rev X
	Structural Dwg No. X	Rev X
	Survey Dwg No. X	Rev X
	Other Dwg No. X	Rev X
	Other Dwg No. X	Rev X

NOTES:  
1. TO BE READ IN CONJUNCTION WITH ALL RELEVANT CUNDALL DRAWINGS

**NOTE**  
FND2 TO BE USED FOR SOIL CONDITIONS SULPHATE CLASS 1 ONLY. DESIGNATED MIX REFERENCE FND3, FND4A & FND4B TO BE USED IN SOIL CONDITIONS WITH SULPHATE CLASSES 3,4A AND 4B RESPECTIVELY.

225 to 300mm THICK UNCURSED RANDOM RUBBLE PITCHING ON 100 THICK GRADE FND2 CONCRETE AND POINTED IN CLASS M1 MORTAR

RODENT BARRIER (JKH VERMIN GATE OR SIMILAR) BOLTED TO OUTLET PIPE. BARRIER TO BE EASILY REMOVABLE TO ALLOW REPLACEMENT/REPAIR AS NECESSARY

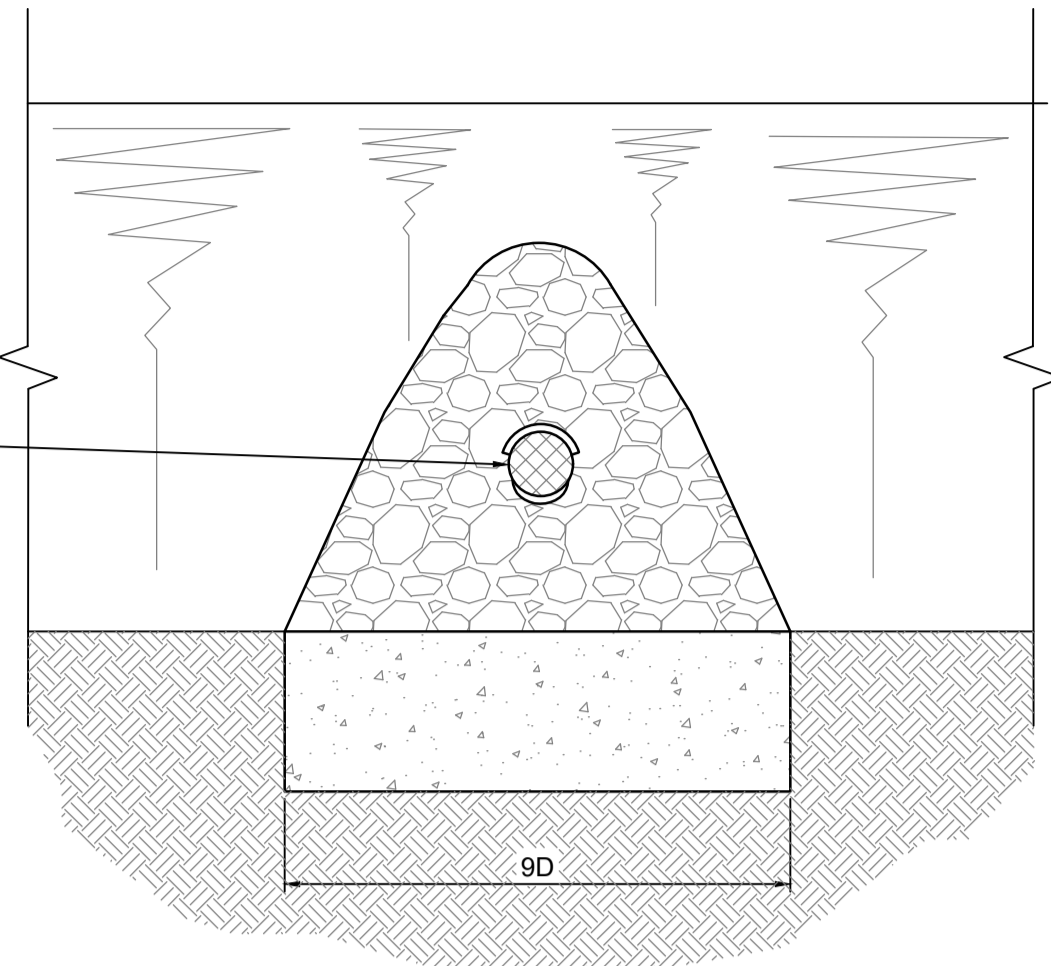
150 MIN CONCRETE SURROUND CAST INTEGRALLY WITH HEADWALL

MINIMUM DEPTH OF CONCRETE BELOW 'HARD' BED LEVEL

300 MIN

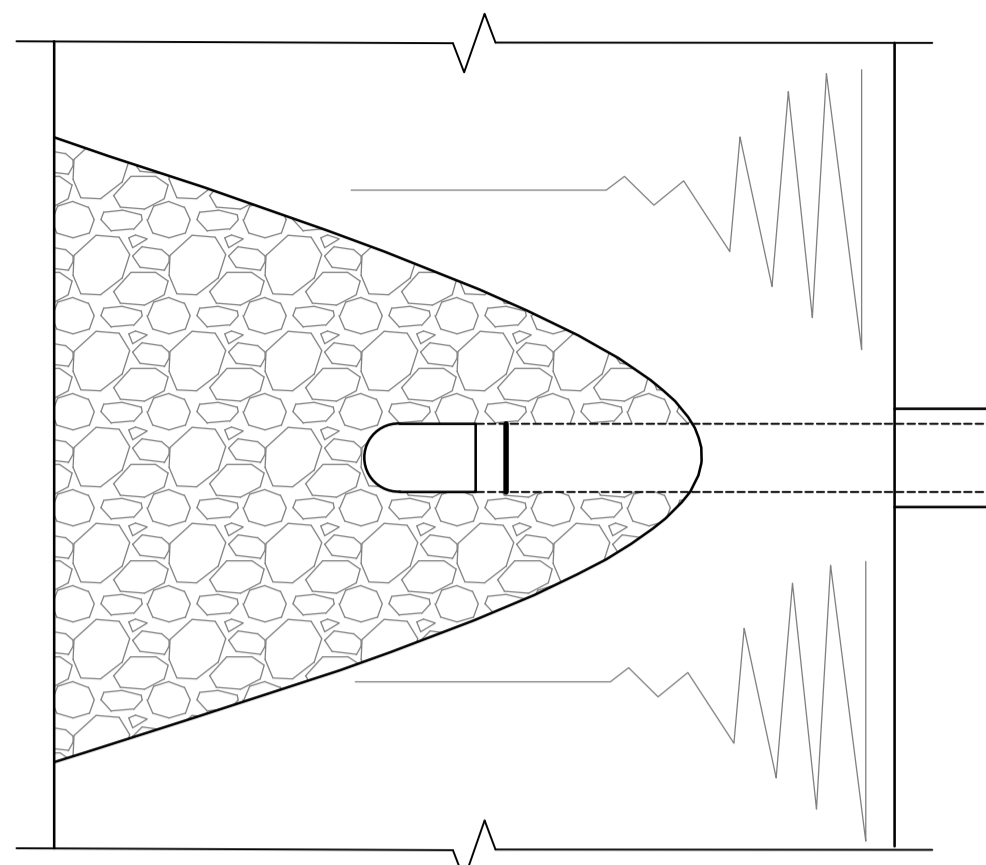
600

ELEVATION

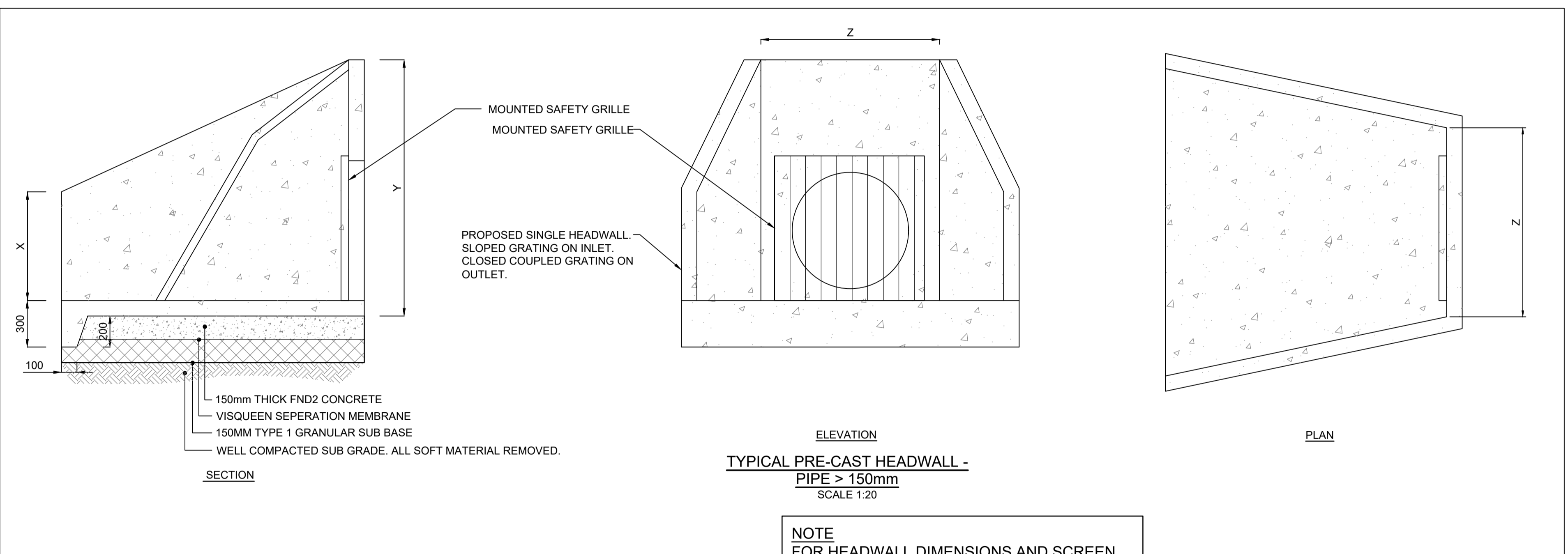


TYPICAL SECTION

TYPICAL STONE HEADWALL - 150mm PIPES OR LESS  
SCALE 1:20



PLAN



MOUNTED SAFETY GRILLE  
MOUNTED SAFETY GRILLE

PROPOSED SINGLE HEADWALL - SLOPED GRATING ON INLET. CLOSED COUPLED GRATING ON OUTLET.

150mm THICK FND2 CONCRETE  
VISQUEEN SEPERATION MEMBRANE  
150MM TYPE 1 GRANULAR SUB BASE  
WELL COMPACTED SUB GRADE. ALL SOFT MATERIAL REMOVED.

SECTION

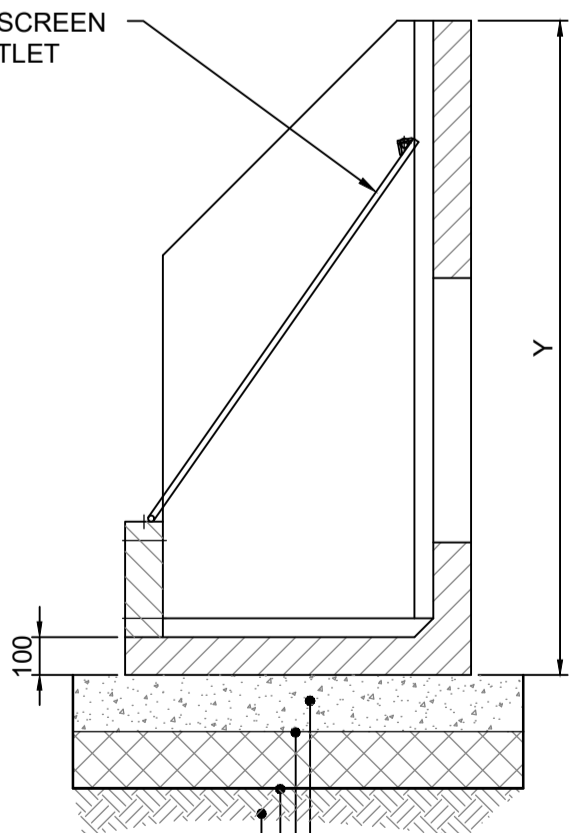
ELEVATION

TYPICAL PRE-CAST HEADWALL - PIPE > 150mm  
SCALE 1:20

PLAN

**NOTE**  
FOR HEADWALL DIMENSIONS AND SCREEN TYPE REFER TO HEADWALL SCHEDULE DRG. No. SEZ-CDL-SW-XX-SH-C-04011

SLOPED TRASH SCREEN FOR USE ON OUTLET HEADWALLS



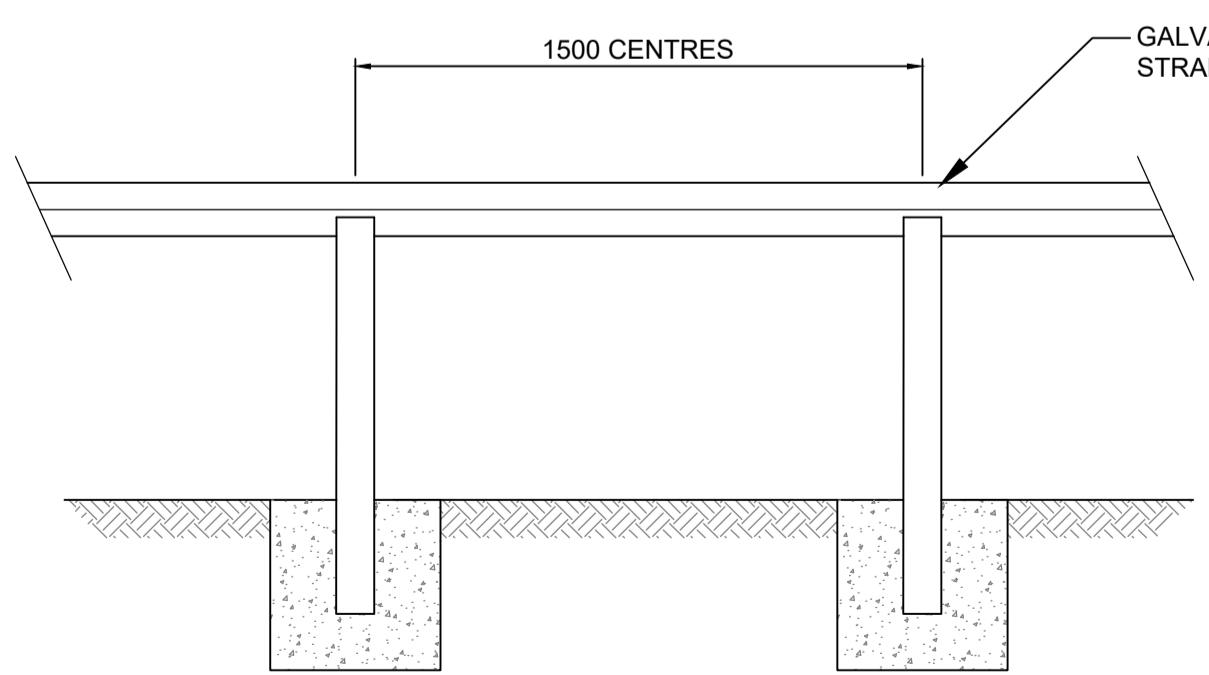
SECTION

150mm THICK FND2 CONCRETE  
VISQUEEN SEPERATION MEMBRANE  
150MM TYPE 1 GRANULAR SUB BASE  
WELL COMPACTED SUB GRADE. ALL SOFT MATERIAL REMOVED.

TYPICAL SUMP PRE-CAST HEADWALL  
SCALE 1:20

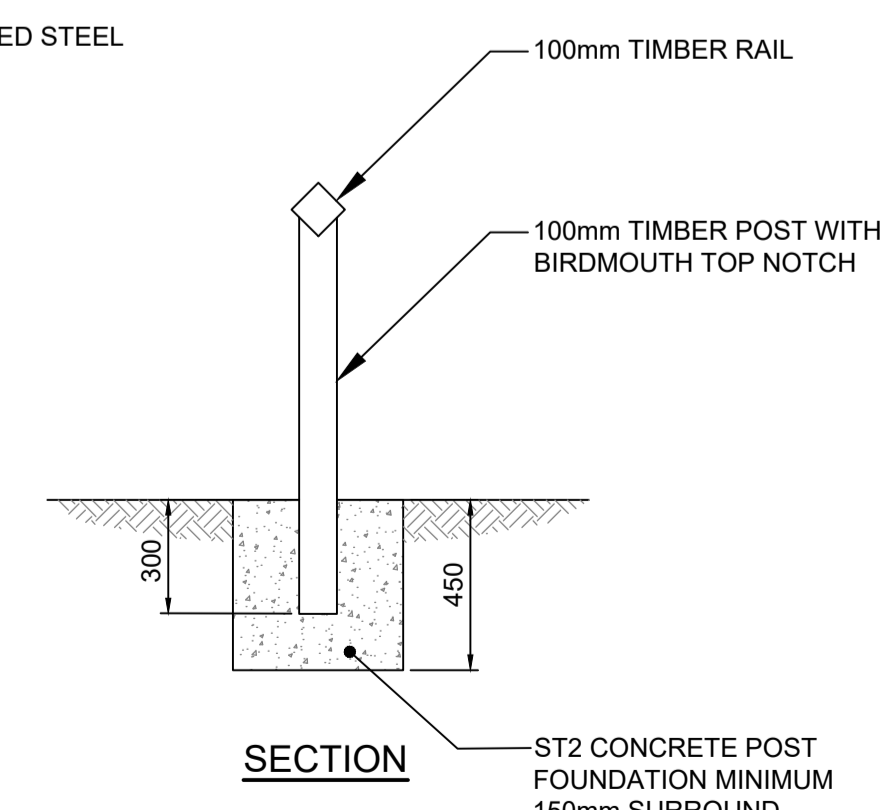
ELEVATION

3D



ELEVATION

KNEE RAIL CONSTRUCTION DETAIL  
SCALE 1:20



SECTION

100mm TIMBER RAIL  
100mm TIMBER POST WITH BIRDMOUTH TOP NOTCH  
ST2 CONCRETE POST FOUNDATION MINIMUM 150mm SURROUND

P1	25/01/21	FIRST ISSUE	LK	MH	BW
Issue	Date	Description	By	Chkd	Verfd

Project  
SAMLSEBURY ENTERPRISE ZONE

Client  
LANCASHIRE COUNTY COUNCIL

Title  
TYPICAL DRAINAGE & HEADWALL DETAILS

Drawing Status  
FOR APPROVAL

Project No.	Scale
1023121	AS SHOWN

**CUNDALL**  
10th Floor, Manchester One  
53 Portland Street  
Manchester, M1 3AH  
Tel: +44 (0)161 244 5660  
Website: www.cundall.com

Drawing No.  
SEZ-CDL-SW-XX-DR-C-16001