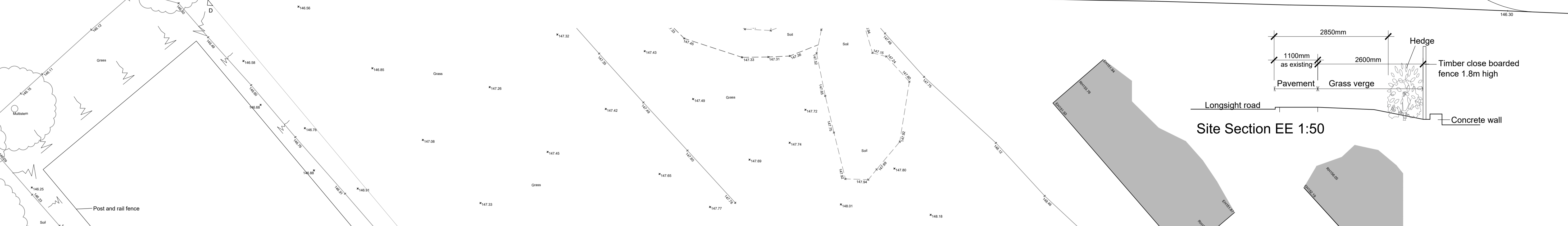
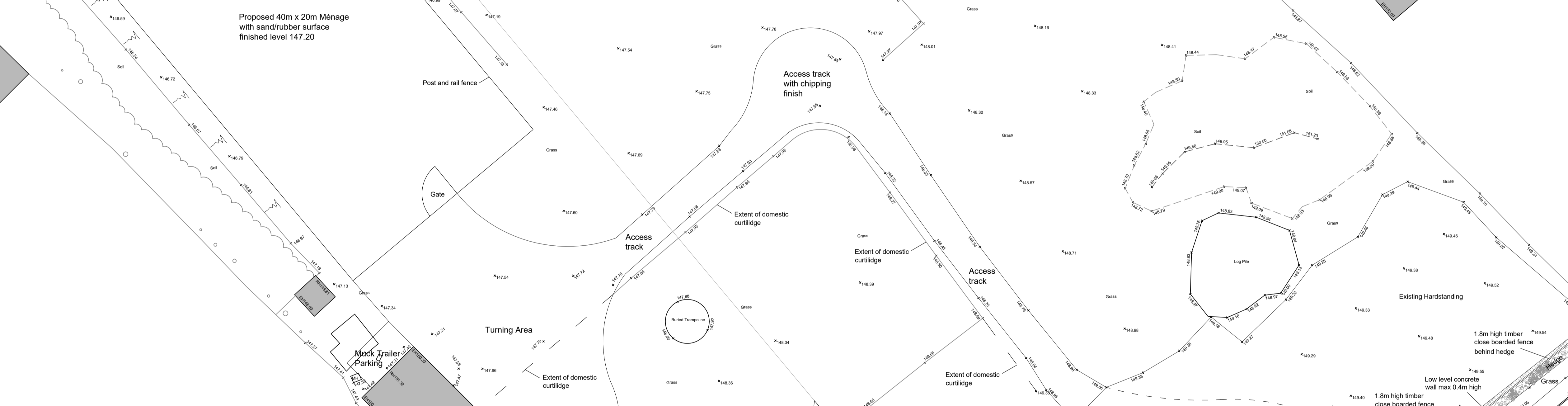
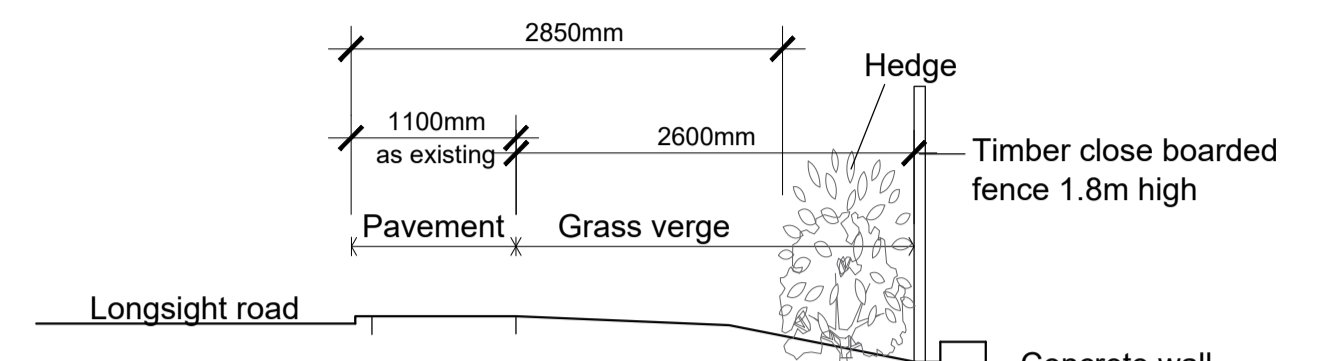


This drawing is to be read in conjunction with all relevant Surveyors, consultants' and specialists' drawings and specifications. All dimensions and levels are to be checked on site. This drawing is subject to copyright. All work carried out before Planning and Building Permission has been granted is at the contractor/clients risk. The Surveyor is to be notified of any discrepancies.

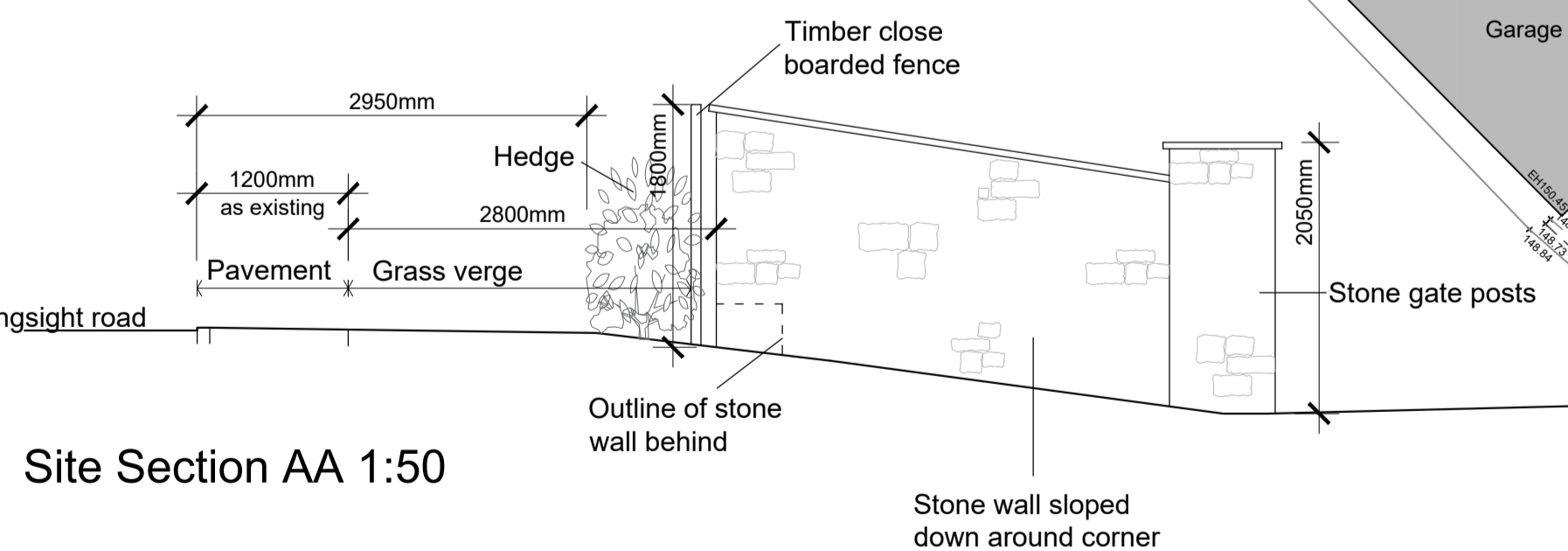
Site Elevation DD 1:100



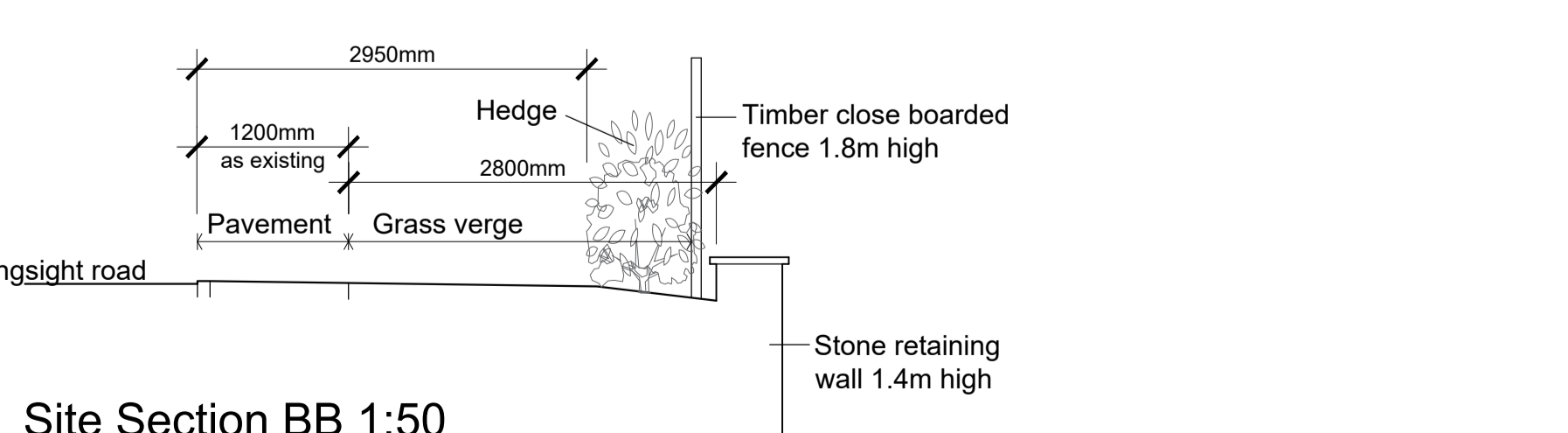
Site Section EE 1:50



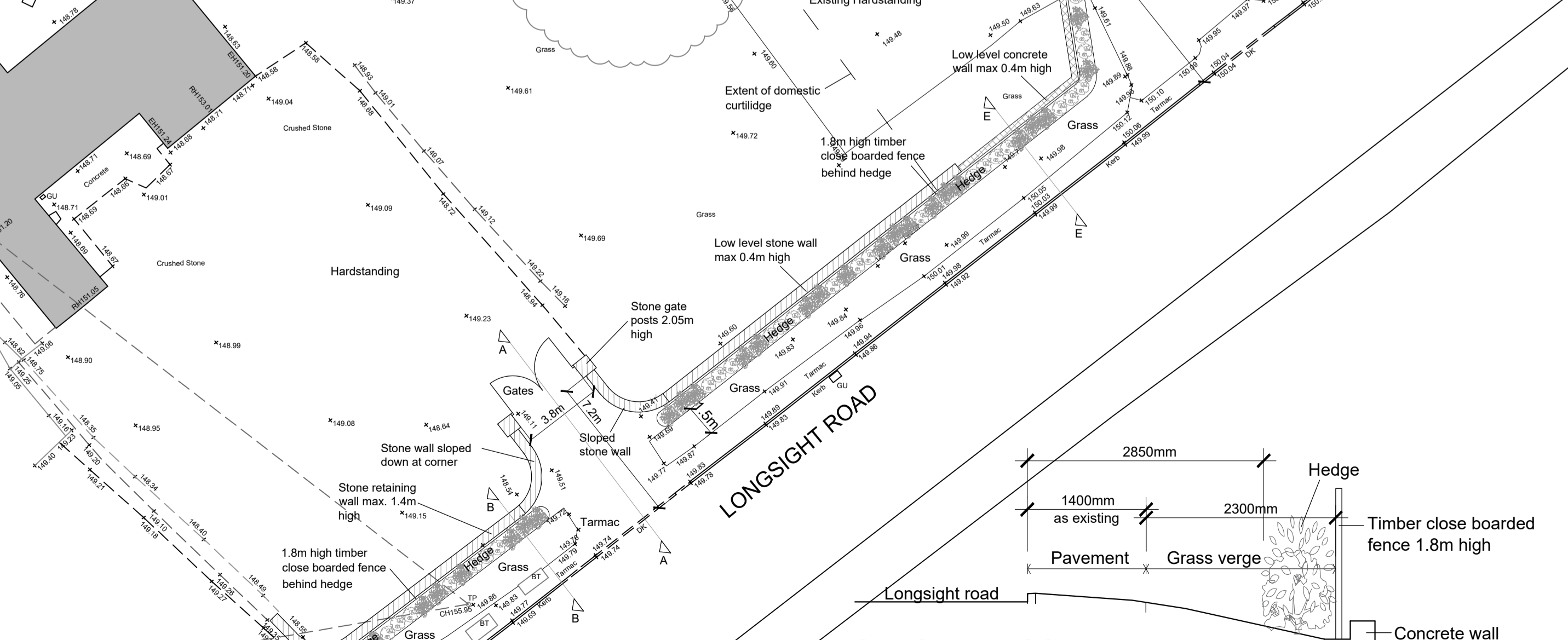
Proposed Site Plan



Site Section AA 1:50



Site Section BB 1:50



Site Section CC 1:50

REV C - Drawing amended. 07.06.21 LFR
 REV B - Additional dimensions added as requested by highways officer. 11.05.21 LFR
 REV A - Drawing amended. 09.03.2021 LFR

Client Mr and Mrs Taylor		
Project Proposed Development at Hightrees Longsight Road Clayton le Dale BB2 7JA		
Drawing Title Proposed Site Plan and Site Sections		
Scale 1:50/100/200@A1	Date Feb 2021	Drawn LFR
READ DESIGN LTD		
124 - 01c		