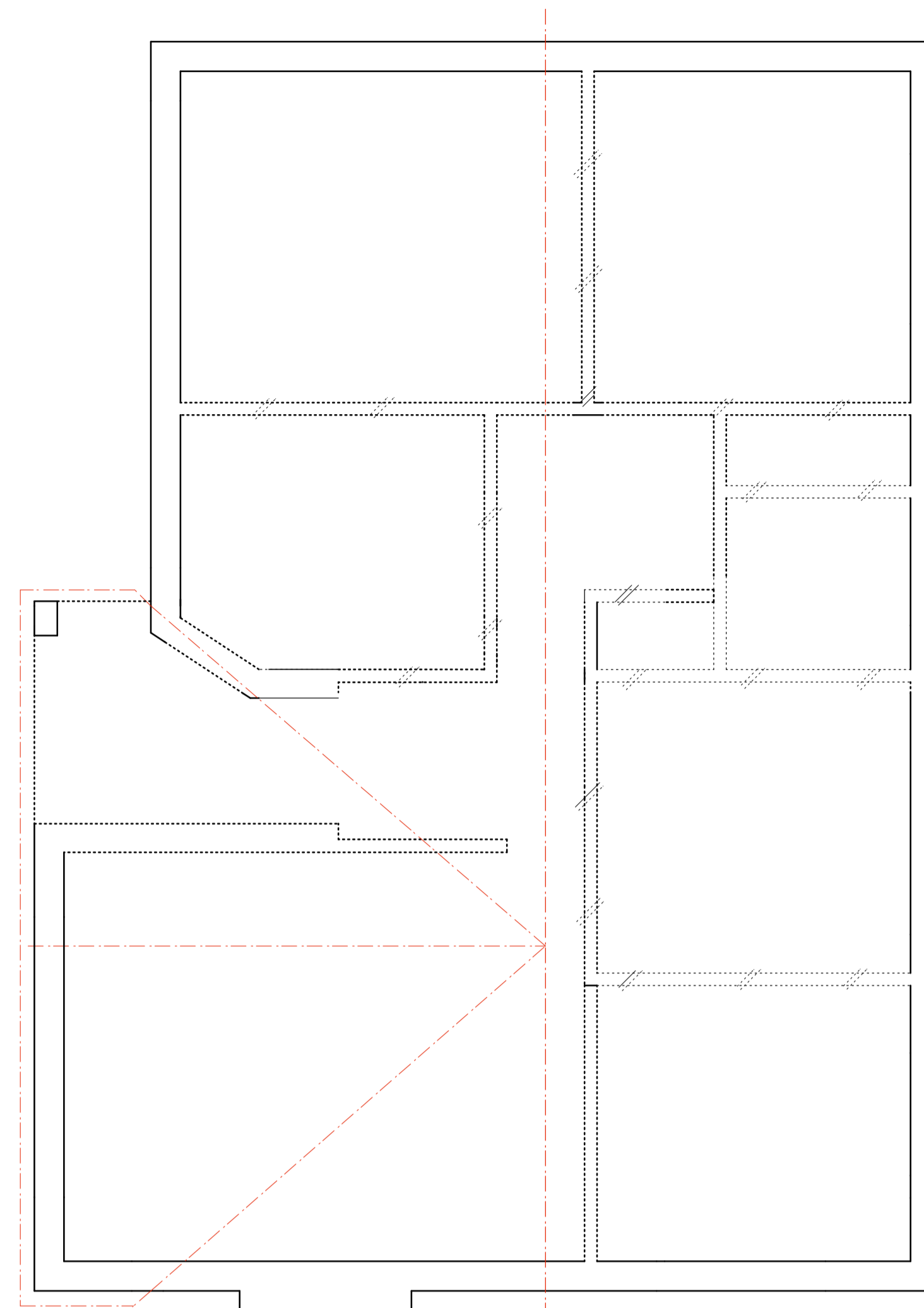
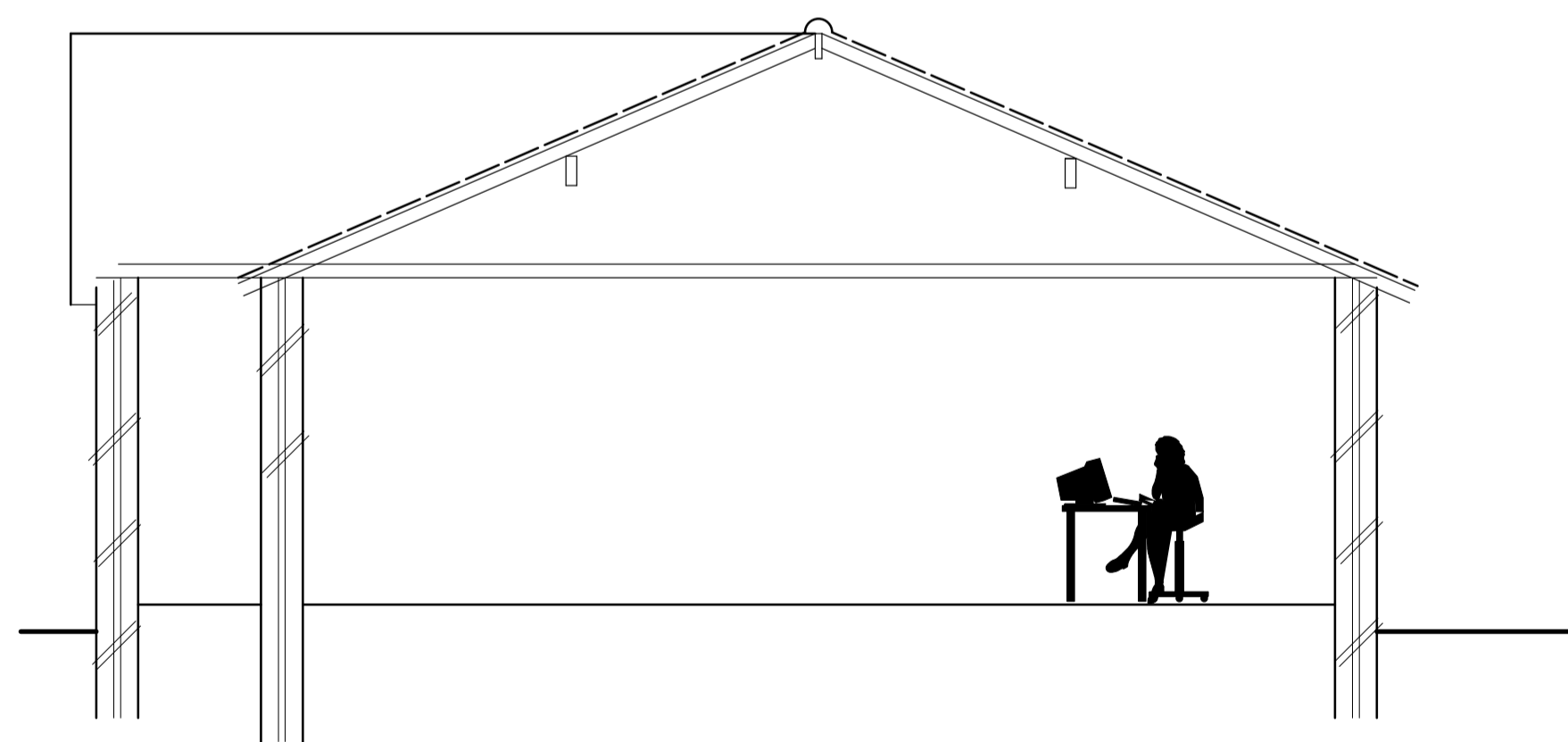


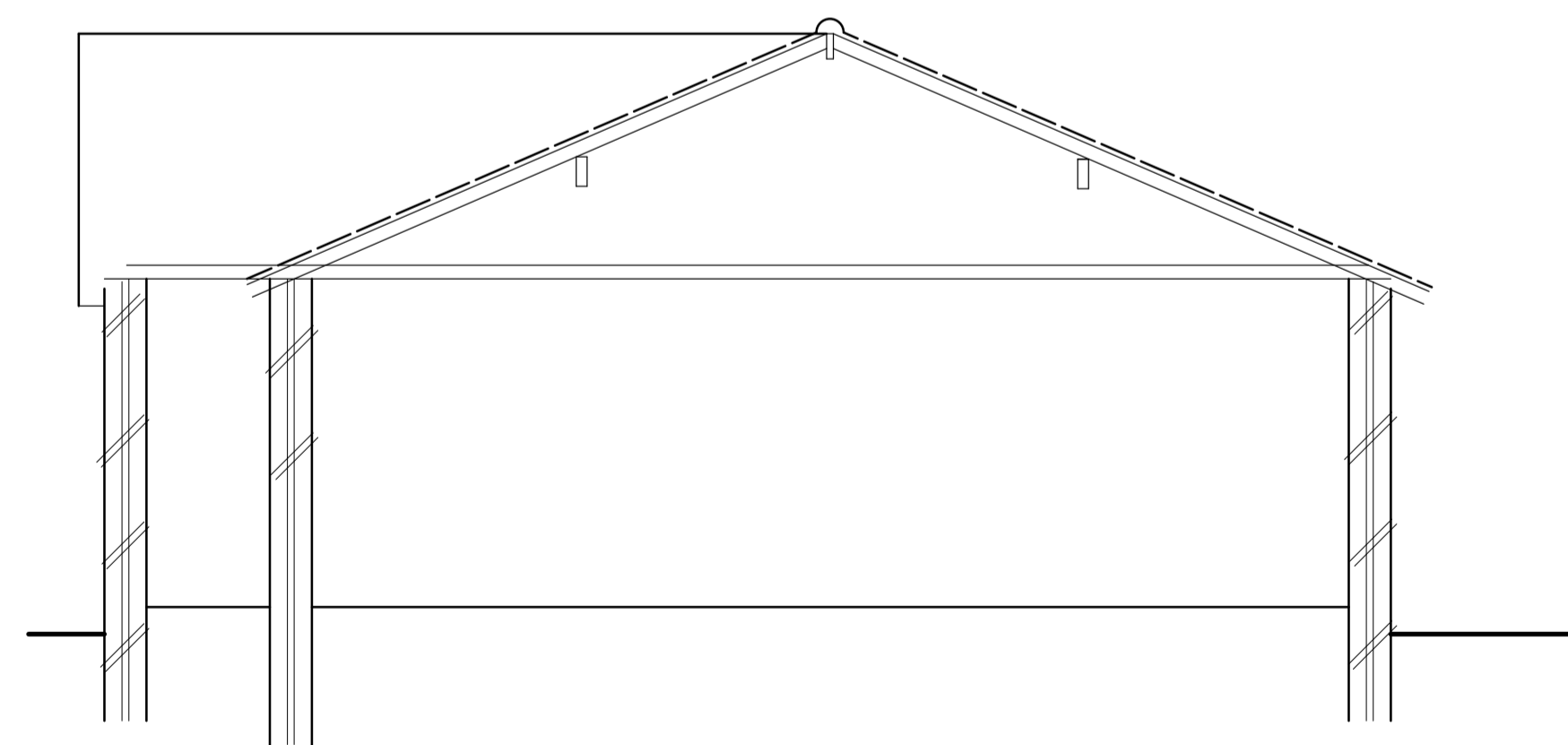
GROUND FLOOR PLAN EXISTING



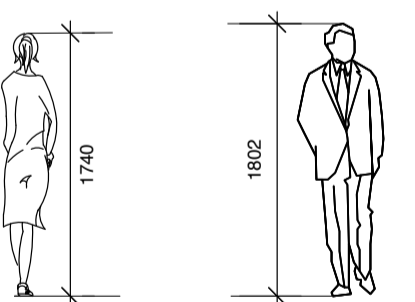
FIRST FLOOR / LOFT PLAN EXISTING
(Roof over in red)



CROSS SECTION EXISTING



CROSS SECTION EXISTING



NEWHEY LOFT CONVERSIONS
LLOYD STREET SAW MILLS
HIGHER LLOYD STREET
DARWEN
telephone 07803 950606

DEREK & LYNN WALSH
102 BRANCH ROAD
MELLOR

telephone
drawing number D 1130 / 21/01
scale 1-50
issue date 9th April 2021
drawn
EXISTING PLANS