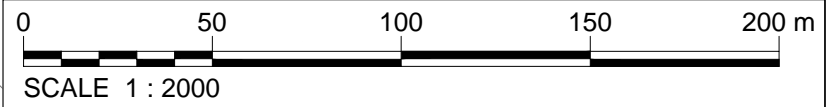




PROPOSED TIMBER POST AND RAIL FENCING WITH TIMBER SINGLE FIELD GATE ACCESS

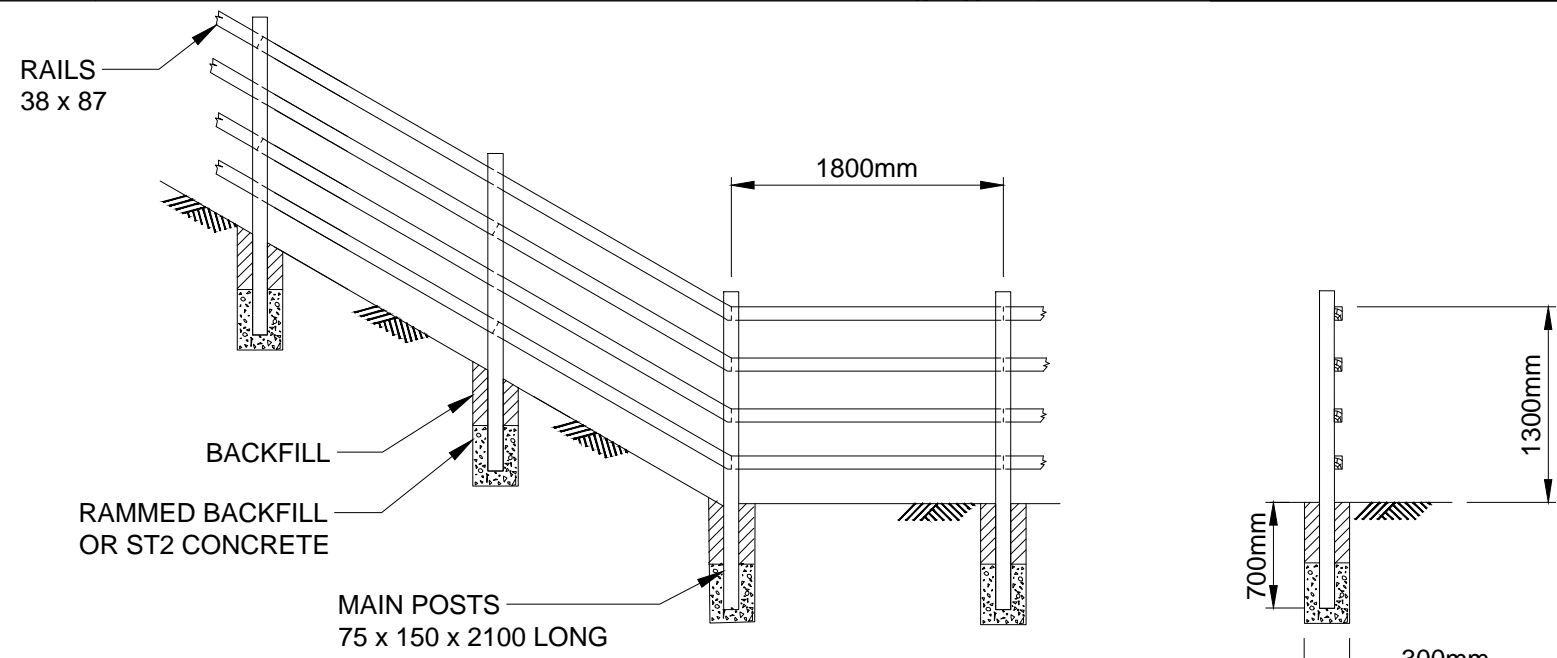
**PROPOSED SITE LAYOUT**  
SCALE 1:2000

Issues  
Issues  
Válve House

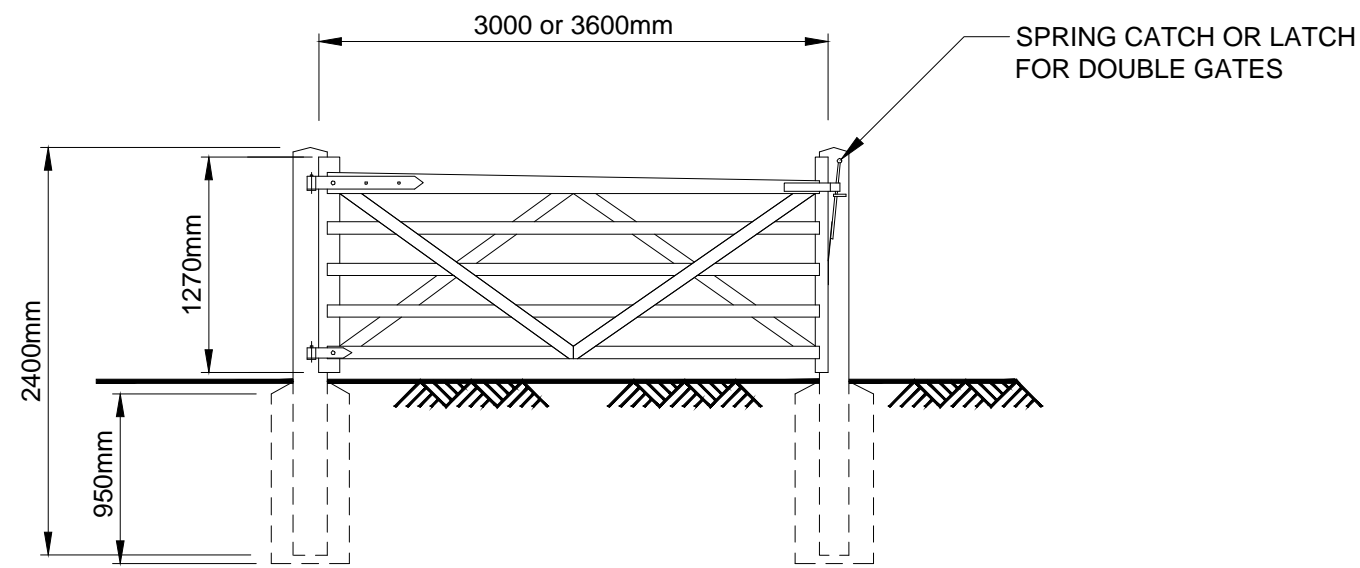


**NOTES**

1. ALL DIMENSIONS IN MILLIMETRES AND ALL LEVELS IN METRES AOD UNLESS NOTED OTHERWISE.
2. ALL DIMENSIONS ARE INDICATIVE AND MAY BE SUBJECT TO FURTHER DESIGN.
3. FOR FURTHER DETAIL OF THEIR CONTEXT WITHIN THE NEWTON IN BOWLAND COMPOUND PLEASE REFER TO DRAWING: 80061155-01-JAC-TR3-97-DR-C-00004.



**TIMBER POST AND RAIL FENCING DETAIL**  
SCALE 1:50



**TIMBER SINGLE FIELD GATE DETAIL**  
SCALE 1:50

P01.1	---	---	---	For Information	---
VERSION	AUTH	CHKD	REVD	REASON FOR ISSUE	DATE
S0				Initial Status or WIP	
SUITABILITY CODE	SUITABILITY DESCRIPTION				



UNITED UTILITIES WATER LIMITED  
HAWESWATER AQUEDUCT RESILIENCE PROGRAMME  
RIBBLE VALLEY BOROUGH COUNCIL  
NEWTON IN BOWLAND COMPOUND  
PROPOSED FENCING AND GATE DETAIL

SCALE 1:50	SHEET SIZE A3
DRAWING NUMBER 80061155-01-UU-TR3-XX-DR-C-00065	REVISION P01.1