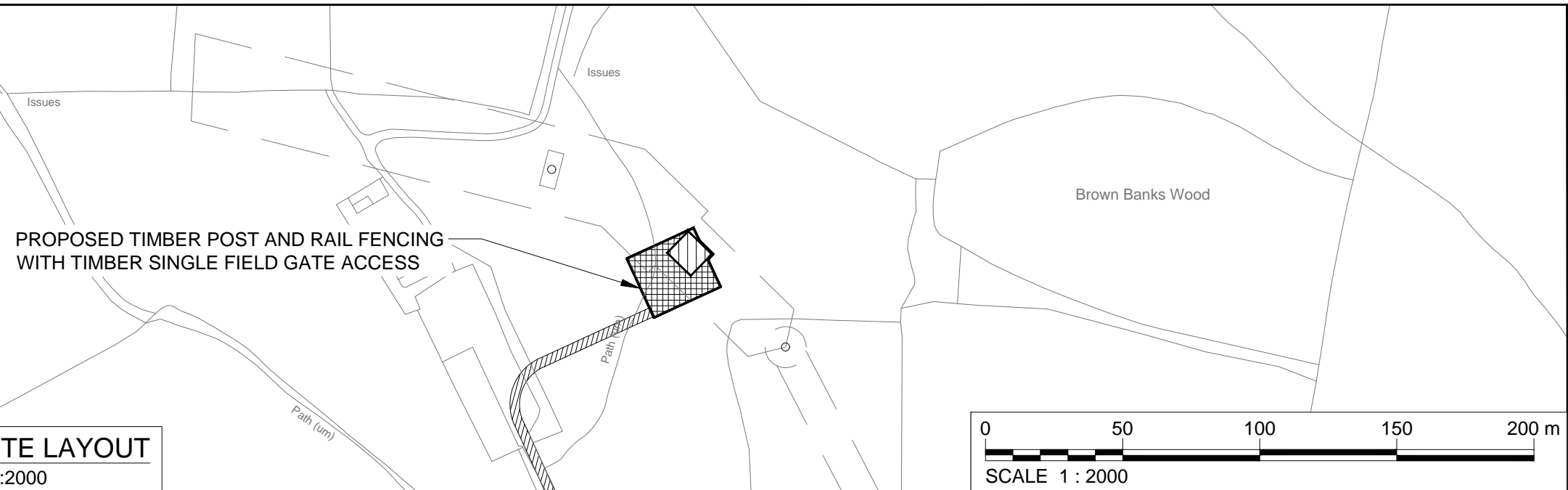
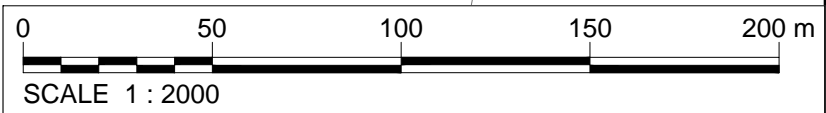


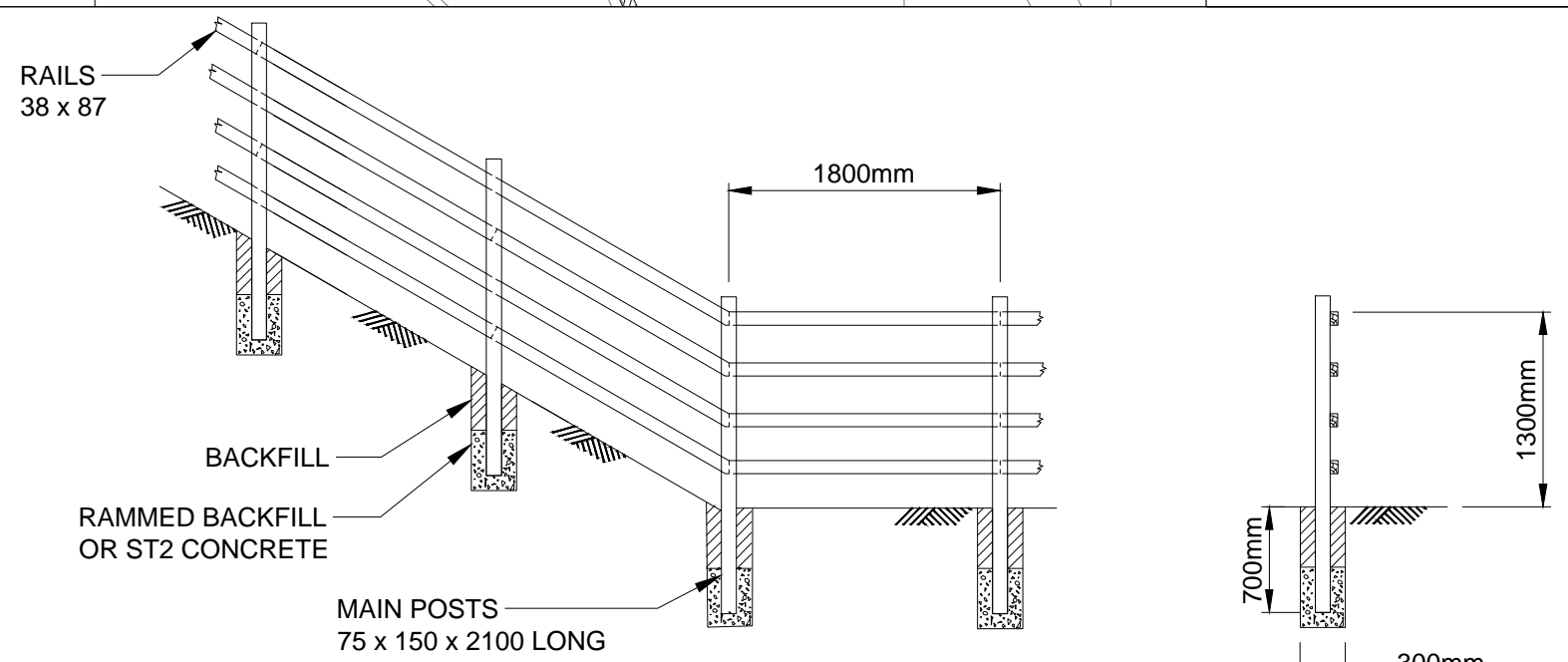
PROPOSED TIMBER POST AND RAIL FENCING  
WITH TIMBER SINGLE FIELD GATE ACCESS



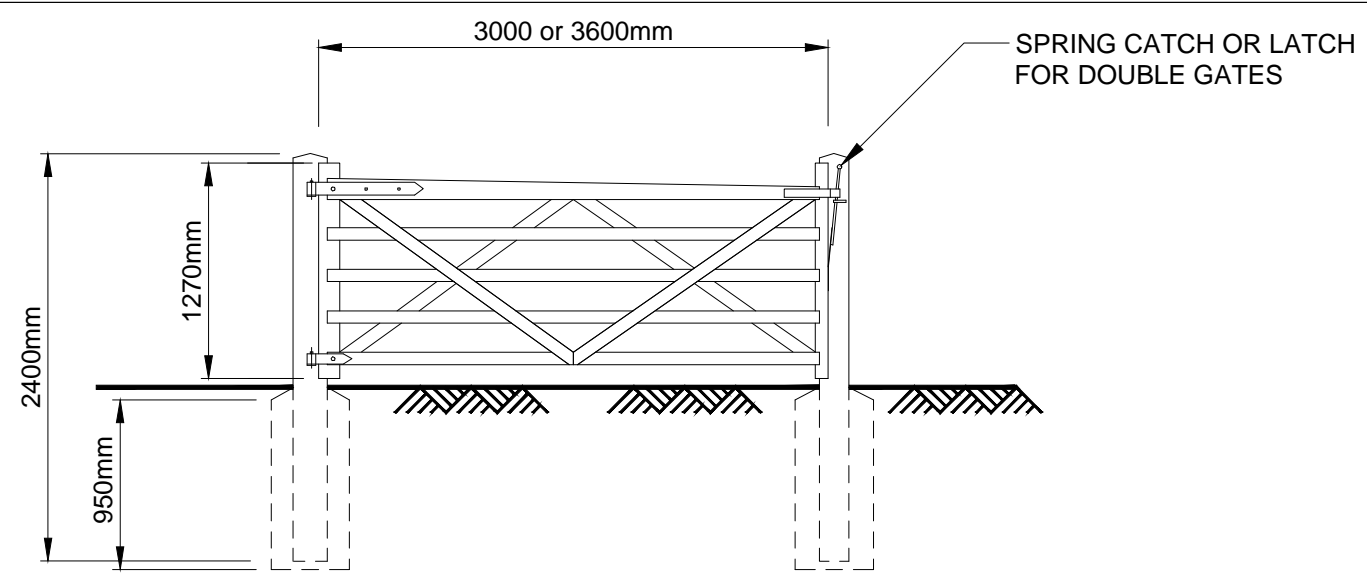
**PROPOSED SITE LAYOUT**  
SCALE 1:2000



- NOTES**
1. ALL DIMENSIONS IN MILLIMETRES AND ALL LEVELS IN METRES AOD UNLESS NOTED OTHERWISE.
  2. ALL DIMENSIONS ARE INDICATIVE AND MAY BE SUBJECT TO FURTHER DESIGN.
  3. FOR FURTHER DETAIL OF THEIR CONTEXT WITHIN THE BONSTONE COMPOUND PLEASE REFER TO DRAWING: 80061155-01-JAC-TR4-97-DR-C-00002.



**TIMBER POST AND RAIL FENCING DETAIL**  
SCALE 1:50



**TIMBER SINGLE FIELD GATE DETAIL**  
SCALE 1:50

P01.1	---	---	---	For Information	---
VERSION	AUTH	CHKD	REVD	REASON FOR ISSUE	DATE
S0				Initial Status or WIP	
SUITABILITY CODE	SUITABILITY DESCRIPTION				



UNITED UTILITIES WATER LIMITED  
HAWESWATER AQUEDUCT RESILIENCE PROGRAMME  
RIBBLE VALLEY BOROUGH COUNCIL  
BONSTONE COMPOUND  
PROPOSED FENCING AND GATE DETAIL

SCALE 1:50	SHEET SIZE A3
DRAWING NUMBER 80061155-01-UU-TR4-XX-DR-C-00037	REVISION P01.1

The copyright of this document, which contains information of a proprietary nature, is vested in United Utilities Water Limited. The content of this document may not be used for purposes other than that for which it has been supplied and may not be reproduced, either wholly or in part, in any way whatsoever. It may not be used by, or its contents divulged to any other person whatsoever without the prior written permission of United Utilities Water Limited. Copyright Acknowledgement: Use of Ordnance Survey map data sanctioned by the controller of H.M. Stationery Office. OS Licence Number 100019326. Crown copyright reserved. Unauthorised production infringes copyright.