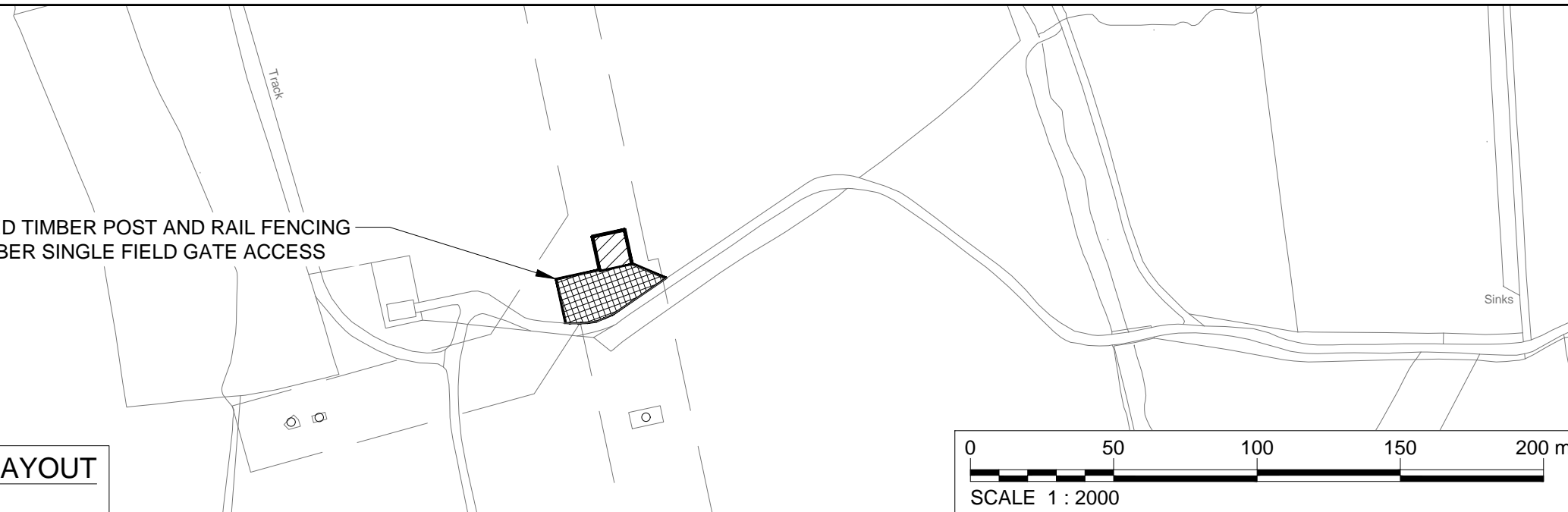
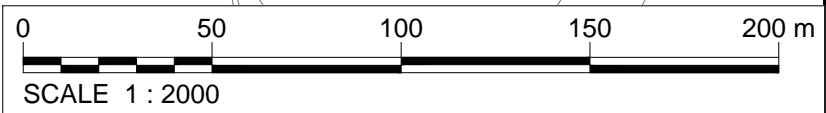




PROPOSED TIMBER POST AND RAIL FENCING  
WITH TIMBER SINGLE FIELD GATE ACCESS

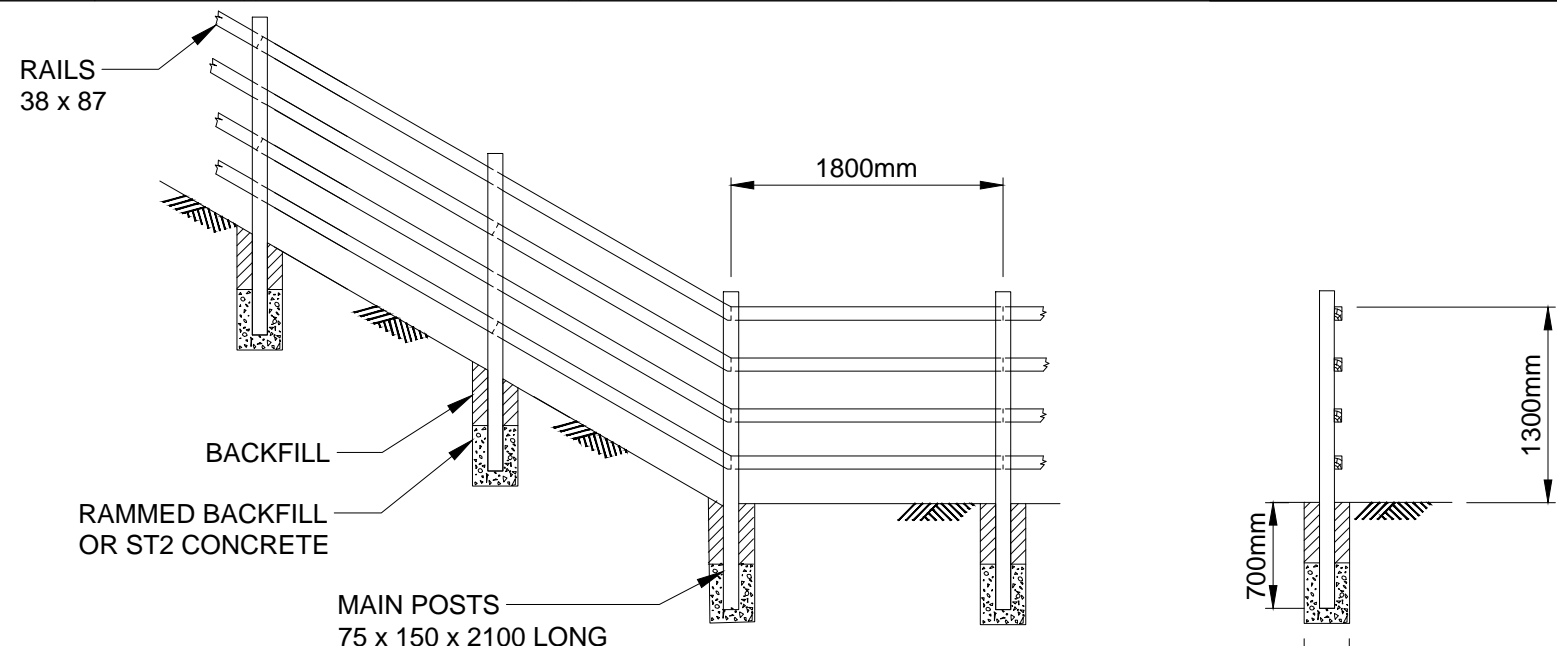


**PROPOSED SITE LAYOUT**  
SCALE 1:2000

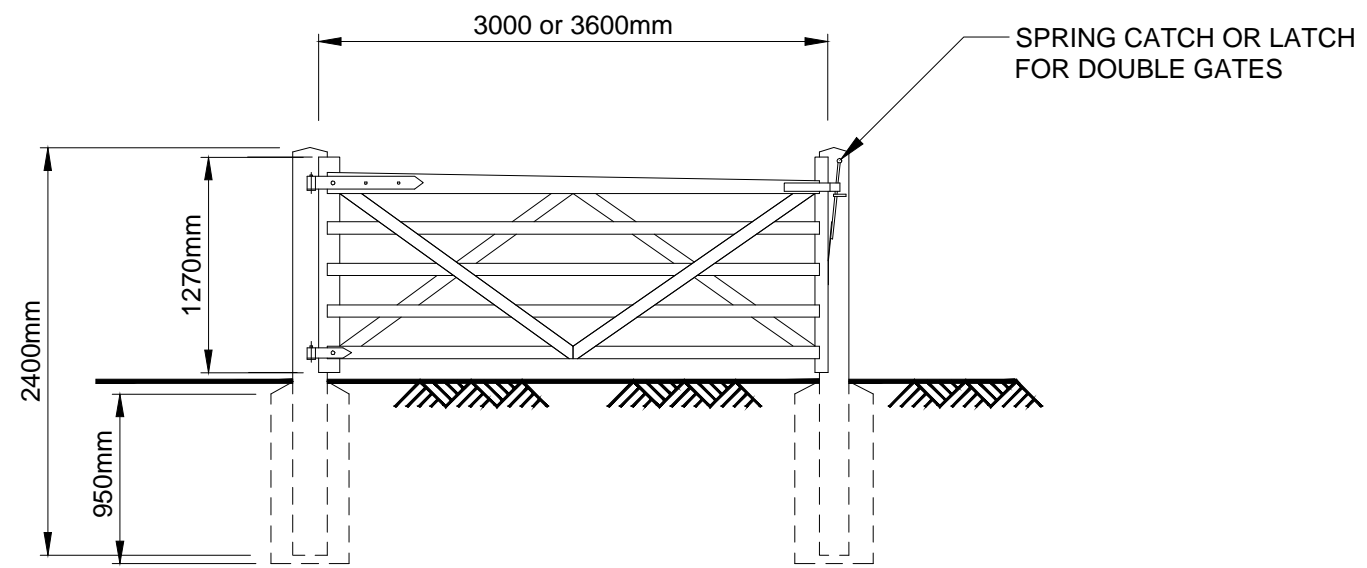


**NOTES**

1. ALL DIMENSIONS IN MILLIMETRES AND ALL LEVELS IN METRES AOD UNLESS NOTED OTHERWISE.
2. ALL DIMENSIONS ARE INDICATIVE AND MAY BE SUBJECT TO FURTHER DESIGN.
3. FOR FURTHER DETAIL OF THEIR CONTEXT WITHIN THE BRADDUP COMPOUND PLEASE REFER TO DRAWING: 80061155-01-JAC-TR4-97-DR-C-00004.



**TIMBER POST AND RAIL FENCING DETAIL**  
SCALE 1:50



**TIMBER SINGLE FIELD GATE DETAIL**  
SCALE 1:50

P01.1	---	---	---	For Information	---
VERSION	AUTH	CHKD	REVD	REASON FOR ISSUE	DATE
S0				Initial Status or WIP	
SUITABILITY CODE	SUITABILITY DESCRIPTION				



UNITED UTILITIES WATER LIMITED  
HAWESWATER AQUEDUCT RESILIENCE PROGRAMME  
RIBBLE VALLEY BOROUGH COUNCIL  
BRADDUP COMPOUND  
PROPOSED FENCING AND GATE DETAIL

SCALE 1:50	SHEET SIZE A3
DRAWING NUMBER 80061155-01-UU-TR4-XX-DR-C-00038	REVISION P01.1