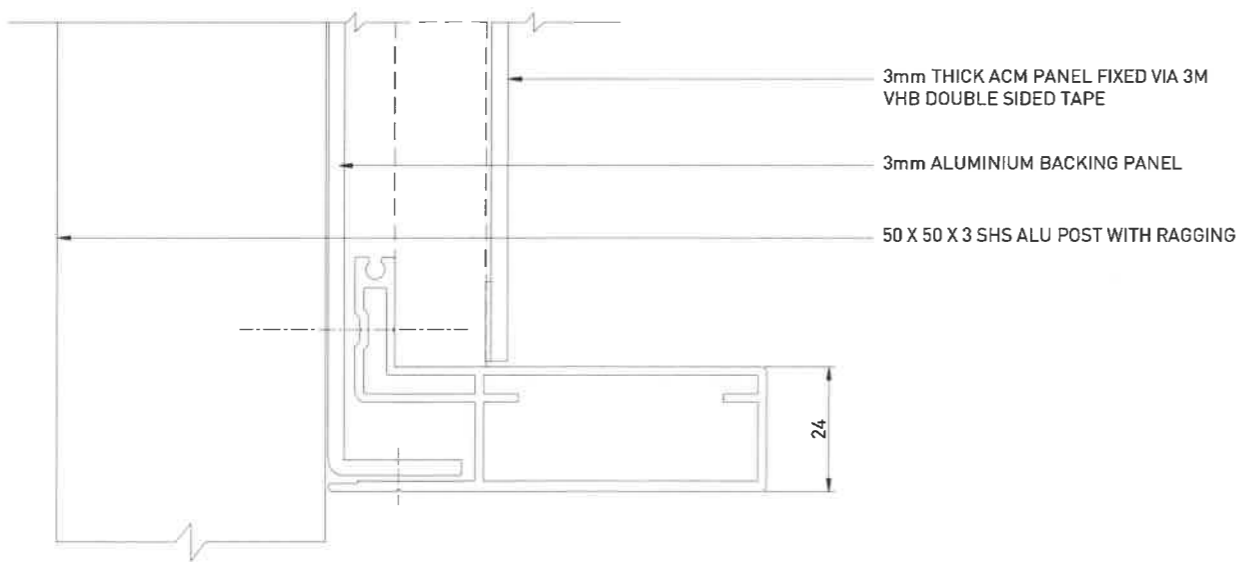
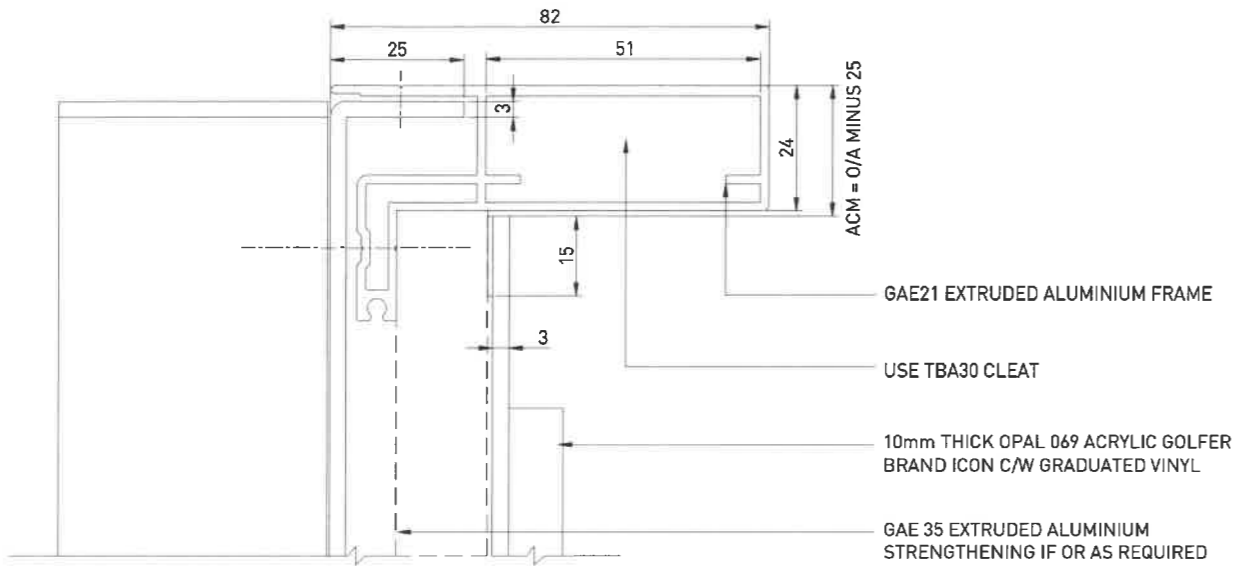


GROUND SIGNS
SPECIFICATION SIDE SECTION



2400 X 900



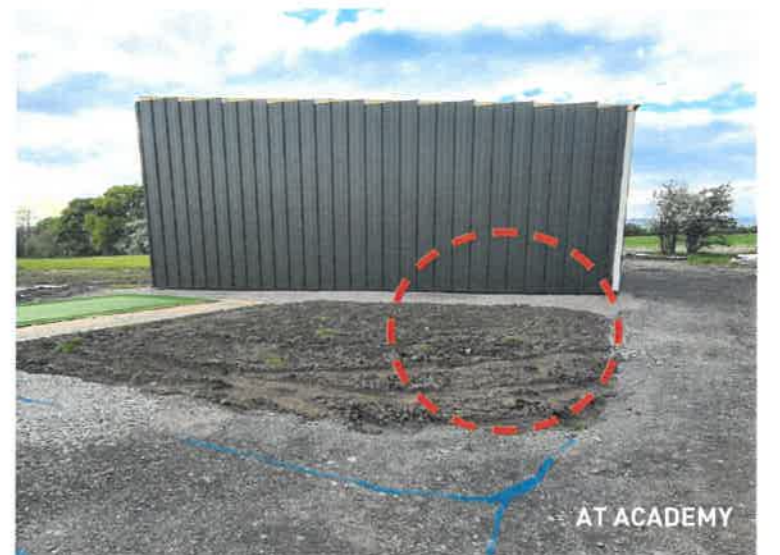
SIGN 1



1800 X 900



SIGN 2



900 X 900



SIGN 3



EXAMPLE LOOK AND FEEL



Rev	00	INITIAL RELEASE
	01	VISUALS UPDATED 26.05.21
	02	SIGN TO LOCATION OPTION 03.05.21
	03	FINAL DETAIL FOR PLANNING

G.A. DRAWINGS

Electrical Testing Required? yes no

Structural Report Required? yes no

PROJECT MANAGER
SPL

CREATIVE
DC

CLIENT
GAELITE 3/2021/0667

PRODUCT
TEXTILE FRAME

DATE
23.06.21

ENG. No. REV. SCALE PAGE
SPL 03 AS SHOWN 05

APPROVED

THIS DRAWING IS COPYRIGHT AND IS THE PROPERTY OF GAELITE SIGNS. IT IS TO BE USED BETWEEN THEMSELVES AND THE CLIENT. ANY REPRODUCTION WITHOUT THE WRITTEN PERMISSION OF GAELITE IS STRICTLY PROHIBITED.

TEXTILE WALL FRAMES
LOCATIONS



8 off



OPTION 2 SHOWN FOR VISUAL PURPOSES ONLY
CGI Scene not to scale, indicative only.



Rev	00	INITIAL RELEASE
	01	VISUALS UPDATED 26.05.21
	02	SIGN TO LOCATION OPTION 03.05.21
	03	FINAL DETAIL FOR PLANNING

G.A. DRAWINGS

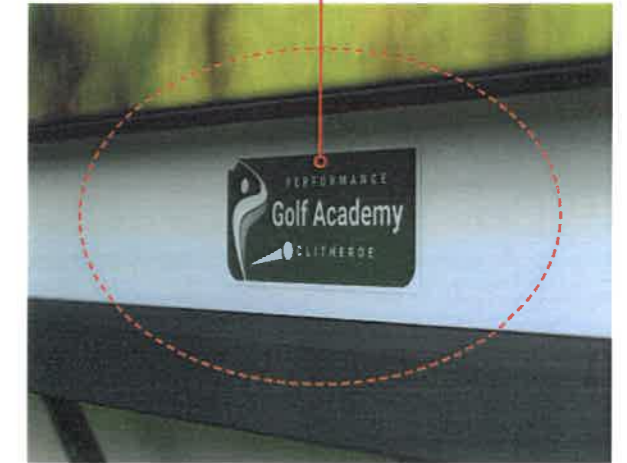
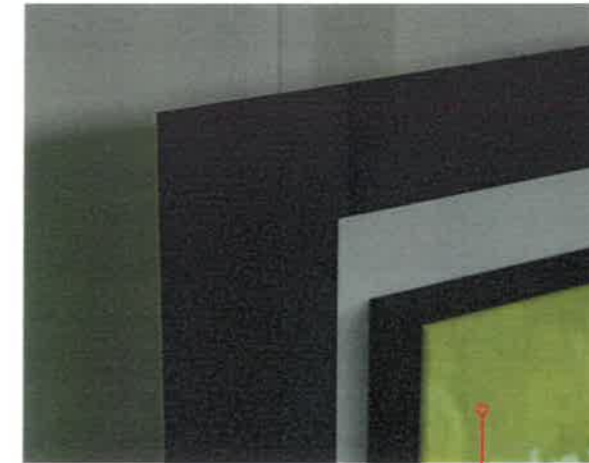
Electrical Testing Required?	<input type="checkbox"/> yes <input checked="" type="checkbox"/> no	Structural Report Required?	<input type="checkbox"/> yes <input checked="" type="checkbox"/> no
------------------------------	---	-----------------------------	---

PROJECT MANAGER SPL	CLIENT GAELITE	3/2021/0667		APPROVED	
CREATIVE DC	PRODUCT TEXTILE FRAME				
DATE 23.06.21	ENQ. No. SPL	REV. 03	SCALE AS SHOWN		PAGE 01
© THIS DRAWING IS COPYRIGHT AND IS THE PROPERTY OF GAELITE SIGNS. IT IS TO BE USED BETWEEN THEMSELVES AND THE CLIENT. ANY REPRODUCTION WITHOUT THE WRITTEN PERMISSION OF GAELITE IS STRICTLY PROHIBITED.					

TEXTILE WALL FRAMES
PREMIUM DUAL FRAME



CLUB BRANDING 110mm x 40mm



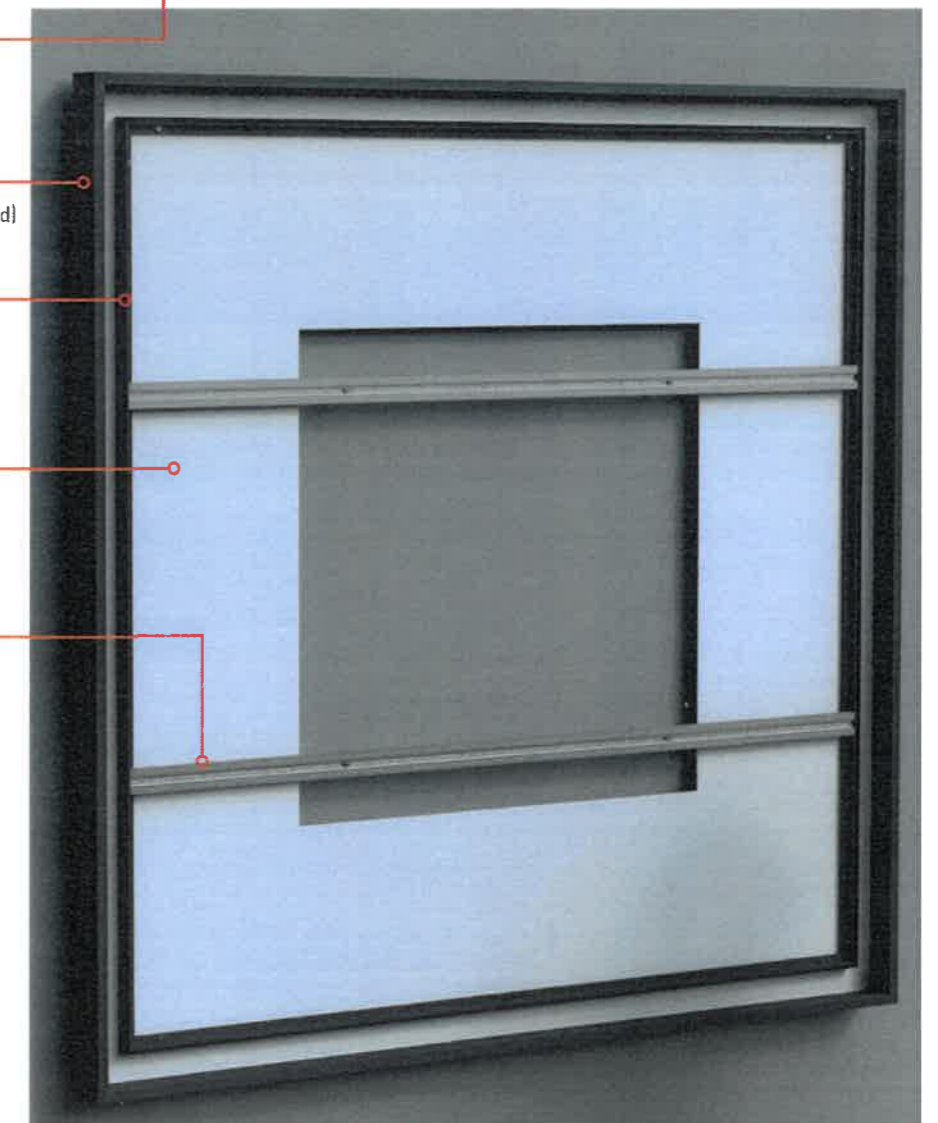
PRINTED
TITLE

OUTER FRAME
200cm (w) x 200cm (h) x 8.2cm (d)

INNER FRAME

BACK PANEL &
FRAME REVEAL

FIXING FRAME



Rev	00	INITIAL RELEASE
	01	VISUALS UPDATED 26.05.21
	02	SIGN TO LOCATION OPTION 03.05.21
	03	FINAL DETAIL FOR PLANNING

G.A. DRAWINGS

Electrical Testing Required? yes no

Structural Report Required? yes no

PROJECT MANAGER
SPL

CREATIVE
DC

DATE
23.06.21

CLIENT
GAELITE

PRODUCT
TEXTILE FRAME

ENQ. No.
SPL

REV.
03

SCALE
AS SHOWN

PAGE
02

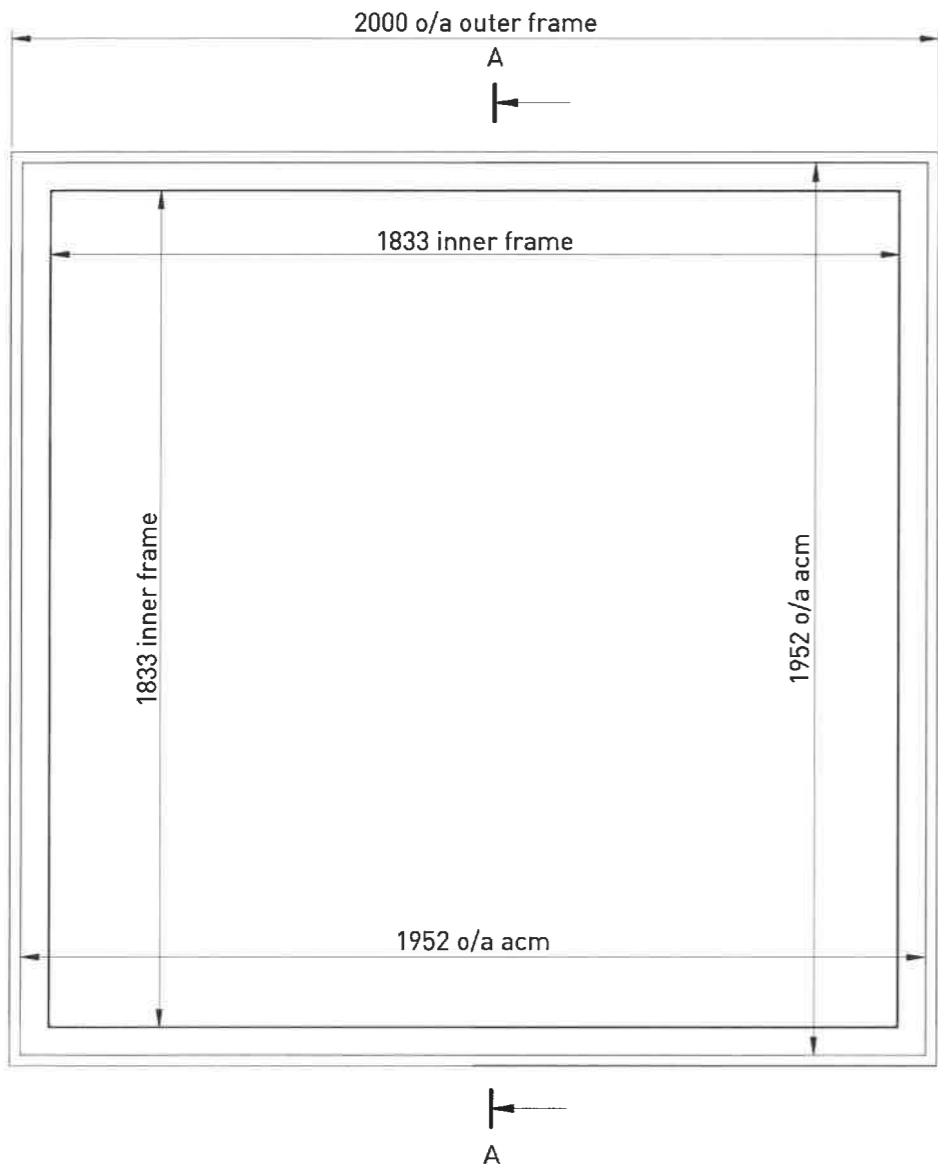
APPROVED

© THIS DRAWING IS COPYRIGHT AND IS THE PROPERTY OF GAELITE SIGNS. IT IS TO BE USED BETWEEN THEMSELVES AND THE CLIENT. ANY REPRODUCTION WITHOUT THE WRITTEN PERMISSION OF GAELITE IS STRICTLY PROHIBITED.

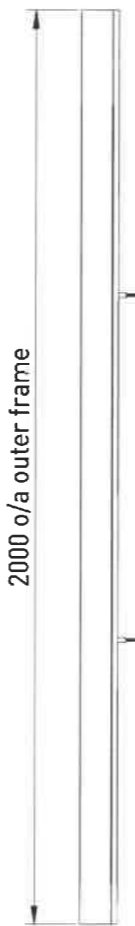
PLAN VIEW
SCALE 1:16



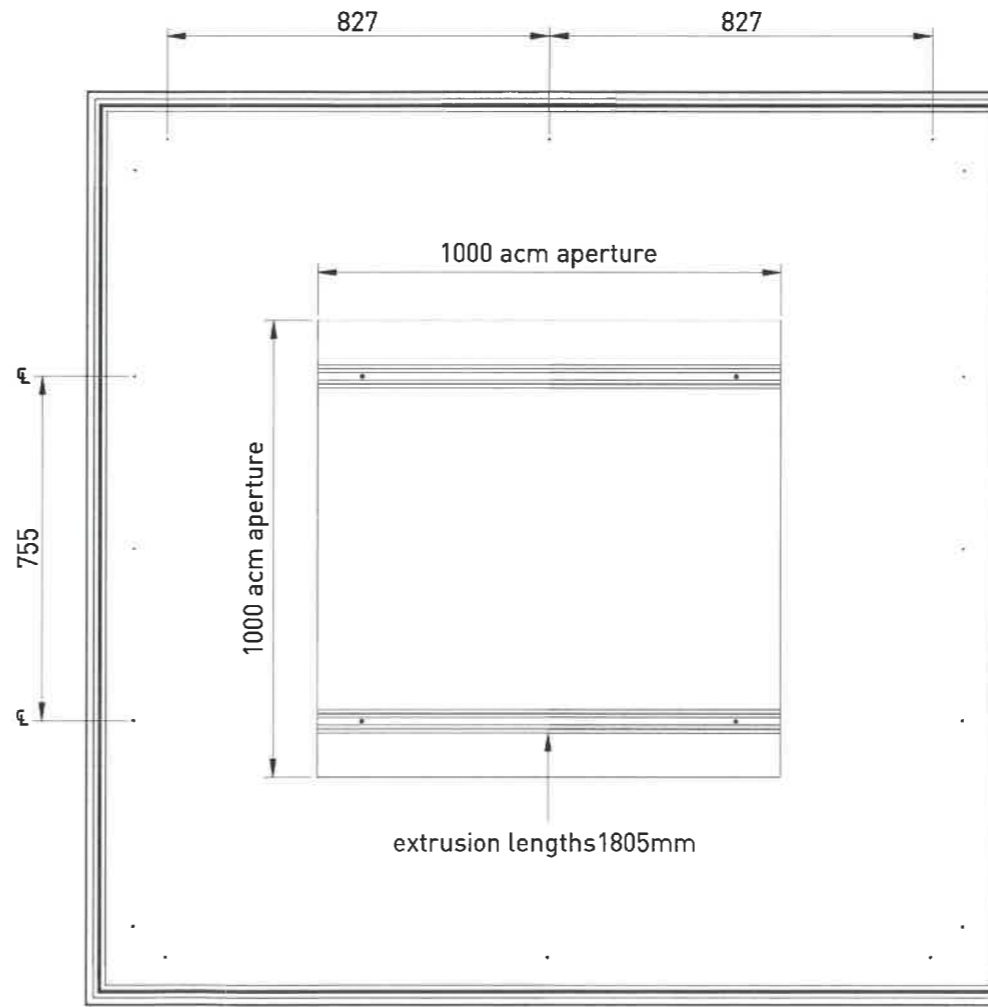
FRONT ELEVATION
SCALE 1:16



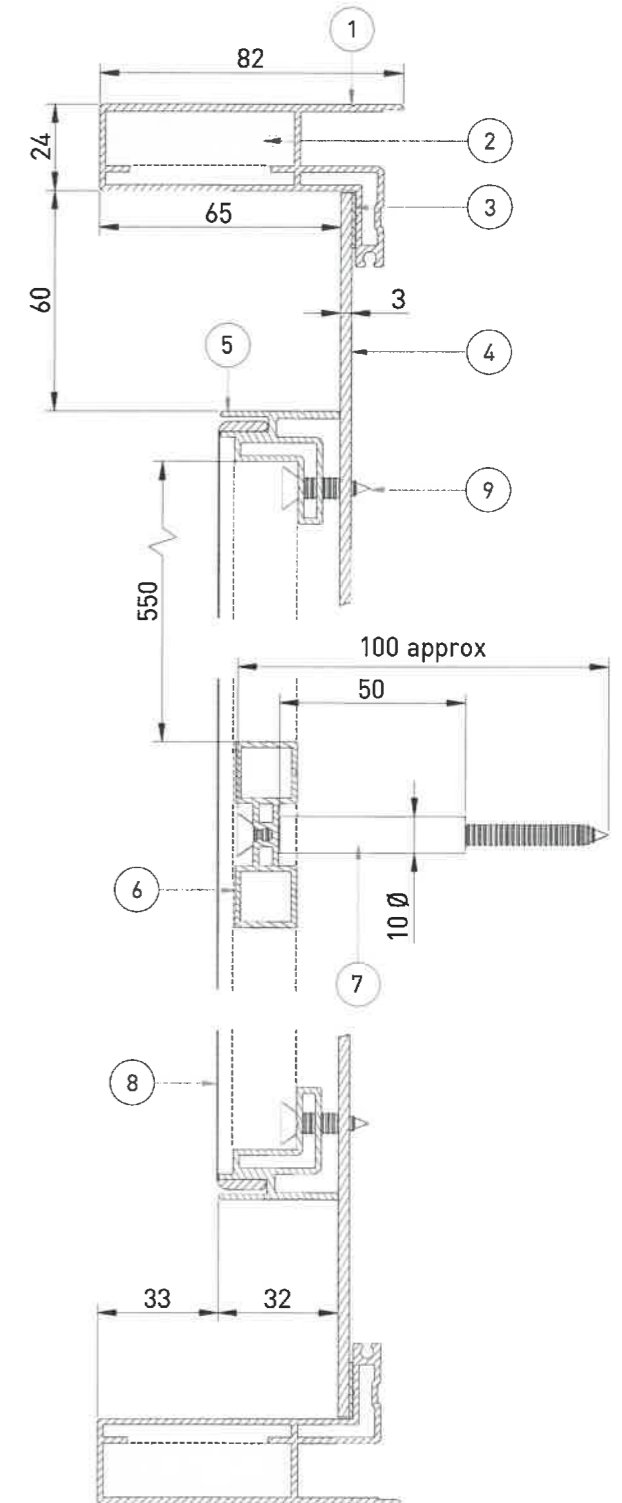
SIDE ELEVATION
SCALE 1:16



REAR ELEVATION
SCALE 1:16



AA SECTION
SCALE 1:2



Rev	Description
00	INITIAL RELEASE
01	VISUALS UPDATED 26.05.21
02	SIGN TO LOCATION OPTION 03.05.21
03	FINAL DETAIL FOR PLANNING

G.A. DRAWINGS

Electrical Testing Required?	<input type="checkbox"/> yes <input checked="" type="checkbox"/> no	Structural Report Required?	<input type="checkbox"/> yes <input checked="" type="checkbox"/> no
------------------------------	---	-----------------------------	---

PROJECT MANAGER
SPL
CREATIVE
DC

CLIENT
GAELITE 3/2021/0667
PRODUCT
TEXTILE FRAME

DATE
23.06.21

ENQ. No.
SPL

REV.
03

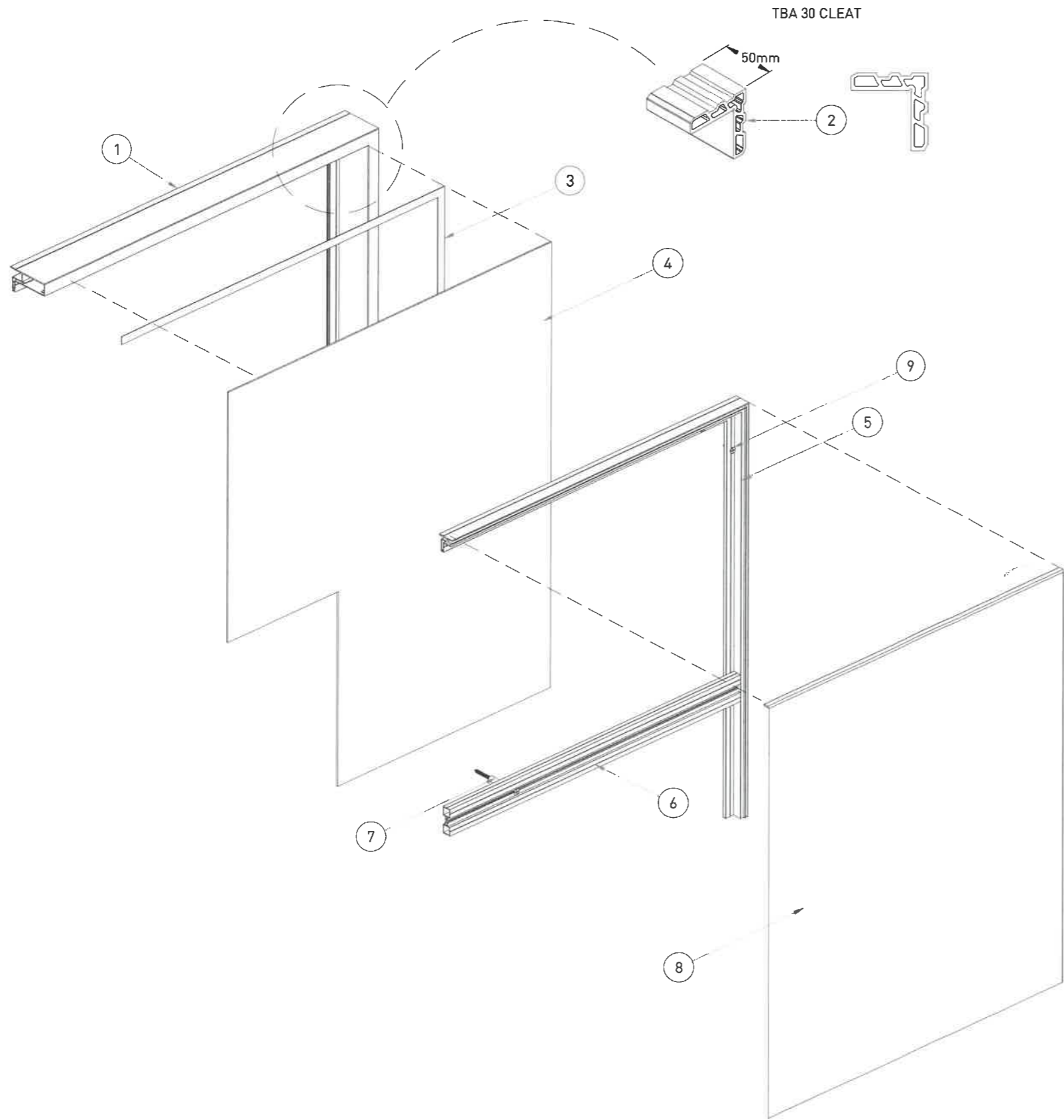
SCALE
AS SHOWN

PAGE
04

APPROVED

© THIS DRAWING IS COPYRIGHT AND IS THE PROPERTY OF GAELITE SIGNS. IT IS TO BE USED BETWEEN THEMSELVES AND THE CLIENT. ANY REPRODUCTION WITHOUT THE WRITTEN PERMISSION OF GAELITE IS STRICTLY PROHIBITED.

EXPLODED VIEW



ITEM NO	PART NAME	SPECIFICATION	FINISH	SIZE	QTY	KG
1	OUTER FRAME	GAE 21 EXTRUDED ALU FRAME	RAL VARIES	N/A	2	
2	CLEAT	EXTRUDED ALUMINIUM TBA30	MILL	50mm	4	
3	TAPE	3M RP45 VHB D/SIDED TAPE	N/A	7m	N/A	
4	ACM	3mm THICK ACM PANEL	RAL VARIES	1952 x 1952	1	
5	INNER FRAME	GAE 06 EXTRUDED ALU FRAME	RAL VARIES	1833 x 1833	1	
6	STRENGTHENING	GAE 25 EXTRUDED ALU	MILL	1833	2	
7	CONDUIT SPACER	ALUMINIUM CONDUIT SPACERS 10mm ID COMPLETE WITH FIXINGS SCREWS TO SUIT BACKGROUND FINISH	MILL	1833	4	
8	FACE PANEL	TEXTILE BANNER MATERIAL 1000MM W MILKON EDGE	PRINTED	TO SUP	1	
9	FIXINGS	SELF TAPPING SCREWS	ST.ST	TO SUP	16	



GAE.LITE.COM

Rev	Description
00	INITIAL RELEASE
01	VISUALS UPDATED 26.05.21
02	SIGN TO LOCATION OPTION 03.05.21
03	FINAL DETAIL FOR PLANNING

G.A. DRAWINGS

Electrical Testing Required?	<input type="checkbox"/> yes <input checked="" type="checkbox"/> no	Structural Report Required?	<input type="checkbox"/> yes <input checked="" type="checkbox"/> no
------------------------------	---	-----------------------------	---

PROJECT MANAGER SPL	CLIENT GAE.LITE 3/2021/0667			
CREATIVE DC	PRODUCT TEXTILE FRAME			
DATE 23.06.21	ENQ. No. SPL	REV. 03	SCALE AS SHOWN	PAGE 03

APPROVED

© THIS DRAWING IS COPYRIGHT AND IS THE PROPERTY OF GAE.LITE SIGNS. IT IS TO BE USED BETWEEN THEMSELVES AND THE CLIENT. ANY REPRODUCTION WITHOUT THE WRITTEN PERMISSION OF GAE.LITE IS STRICTLY PROHIBITED.