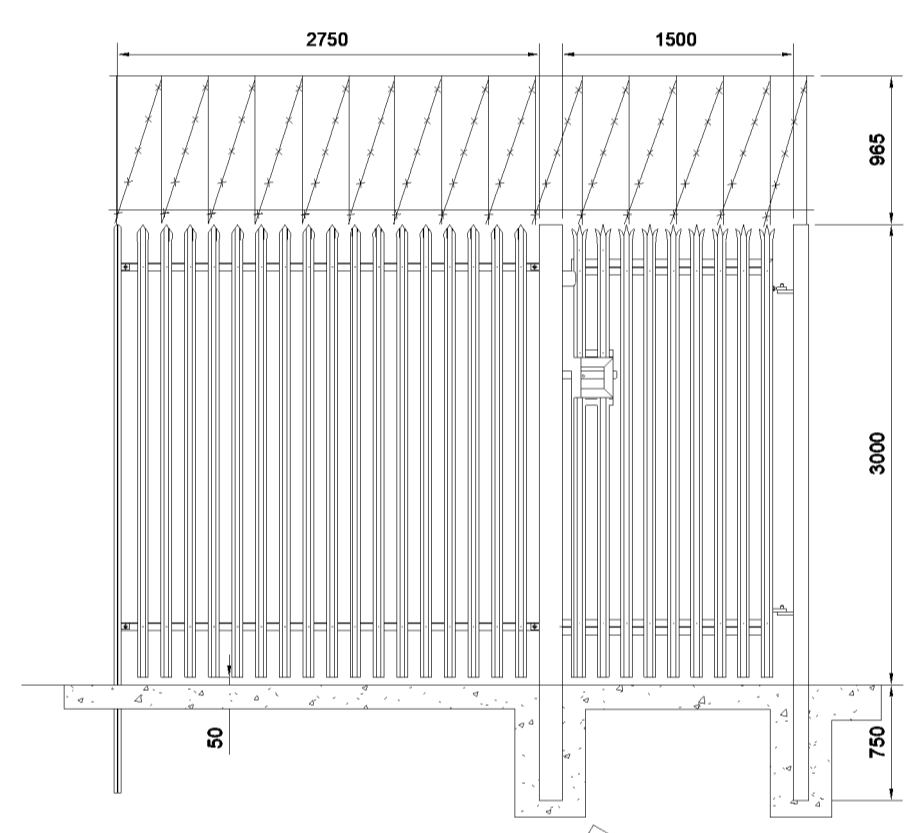
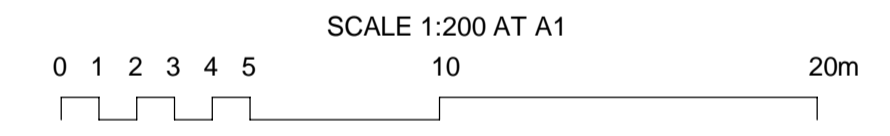


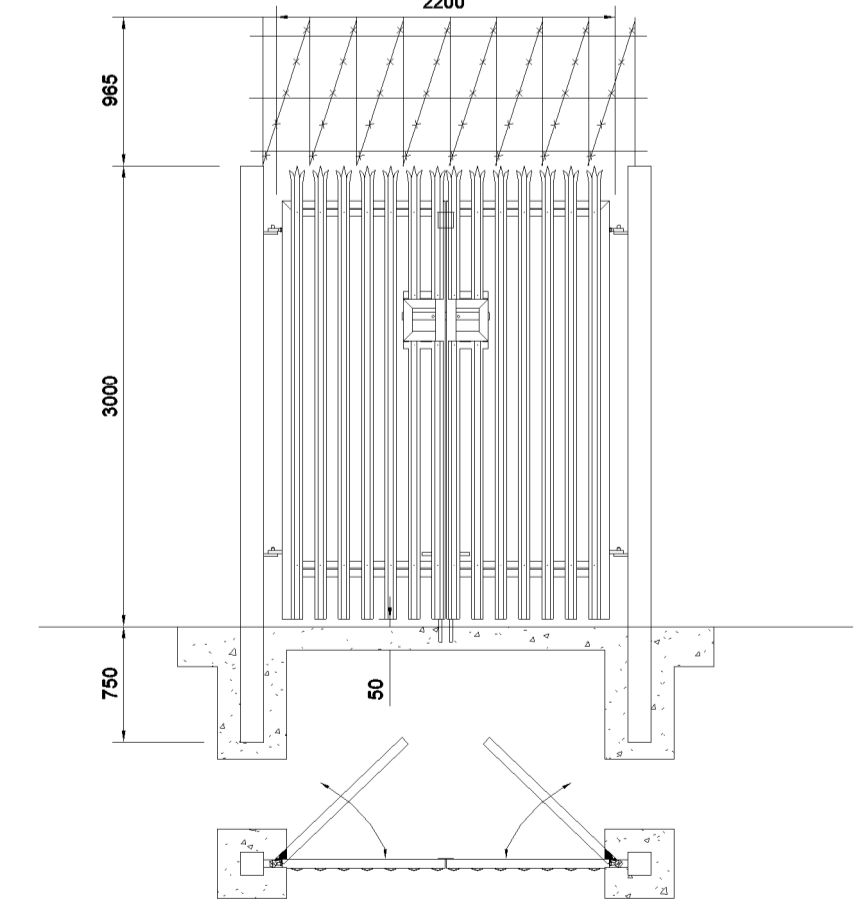
- NOTES:
1. ALL DIMENSIONS IN MILLIMETRES AND LEVELS IN METRES AOD UNLESS NOTED OTHERWISE.
  2. NO DIMENSIONS ARE TO BE SCALED FROM THIS DRAWING.



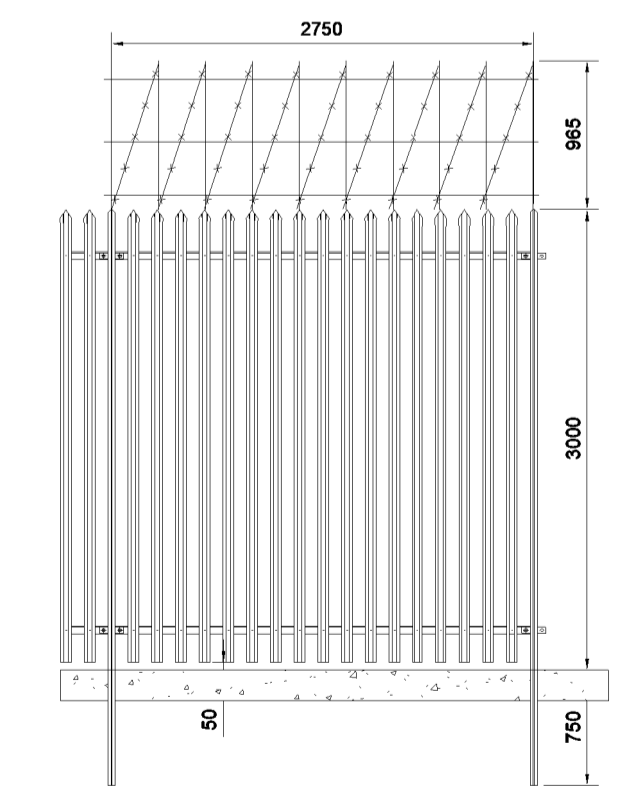
**LAMELLA FENCING AND MCC KIOSK PLAN**  
1 : 200



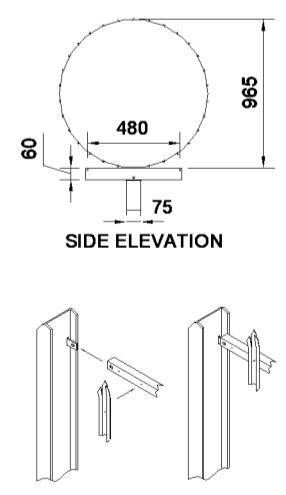
3M HIGH SINGLE LEAF GATE WITH RAZOR WIRE TOP  
SCALE 1:50



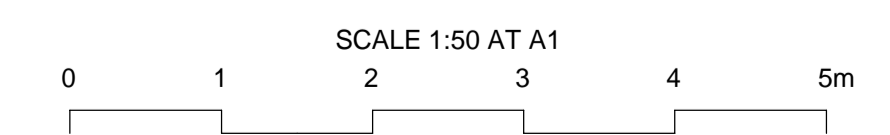
3M HIGH DOUBLE GATE WITH RAZOR WIRE TOP  
SCALE 1:50



3M HIGH PALISADE FENCING WITH RAZOR WIRE TOP  
SCALE 1:50



**FENCING DETAILS**



**CURRENT ISSUE INFORMATION**

<b>P04</b>	<b>EF</b>	<b>DS</b>	<b>SS</b>	<b>For Information</b>	<b>30/06/21</b>
VERSION	AUTH	CHK	B.CHK	REVD	REASON FOR ISSUE
<b>P04</b>	<b>Issued For Information</b>				DATE
SUITABILITY CODE	SUITABILITY DESCRIPTION				



**MMB**  
**MOTT MACDONALD BENTLEY**

UNITED UTILITIES  
AMP6 FRAMEWORK  
HODDER WTW  
LAMELLAS SECURITY FENCING

SCALE	SHEET SIZE
As indicated	A1
DRAWING NUMBER	REVISION
80040117-01-MMB-HODDE-96-DR-1-00011	P01

BM 360/AS13 - Hodder WTW/9600117-01-MMB-HODDE-96-DR-1-00011.rvt