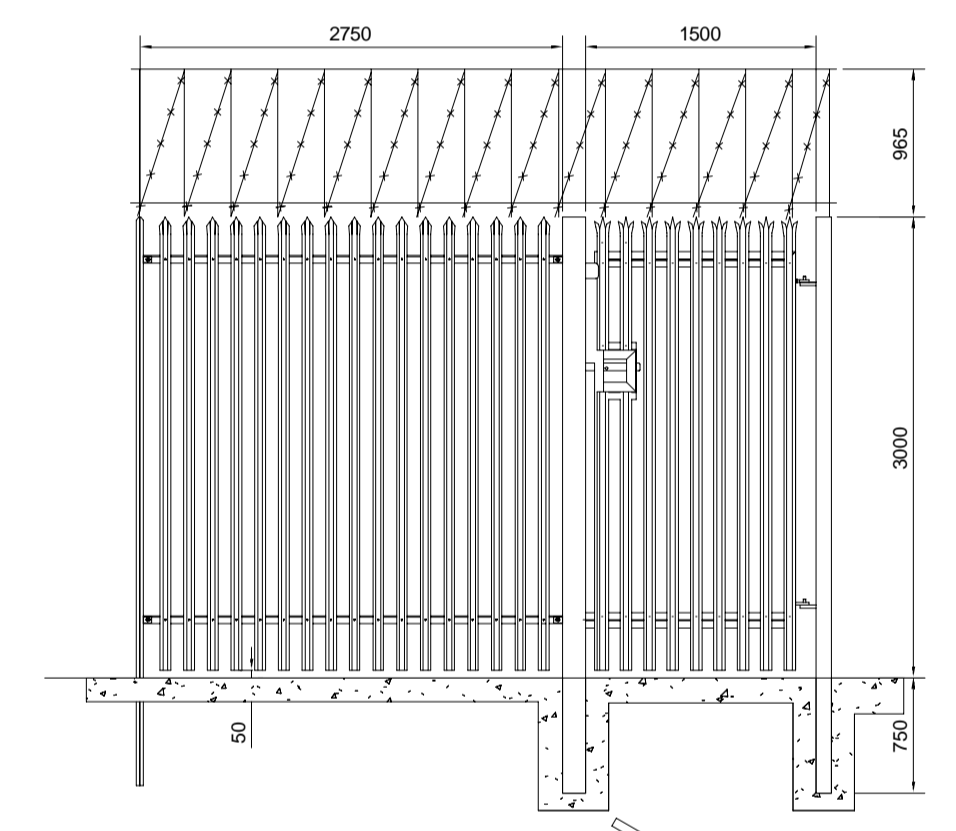


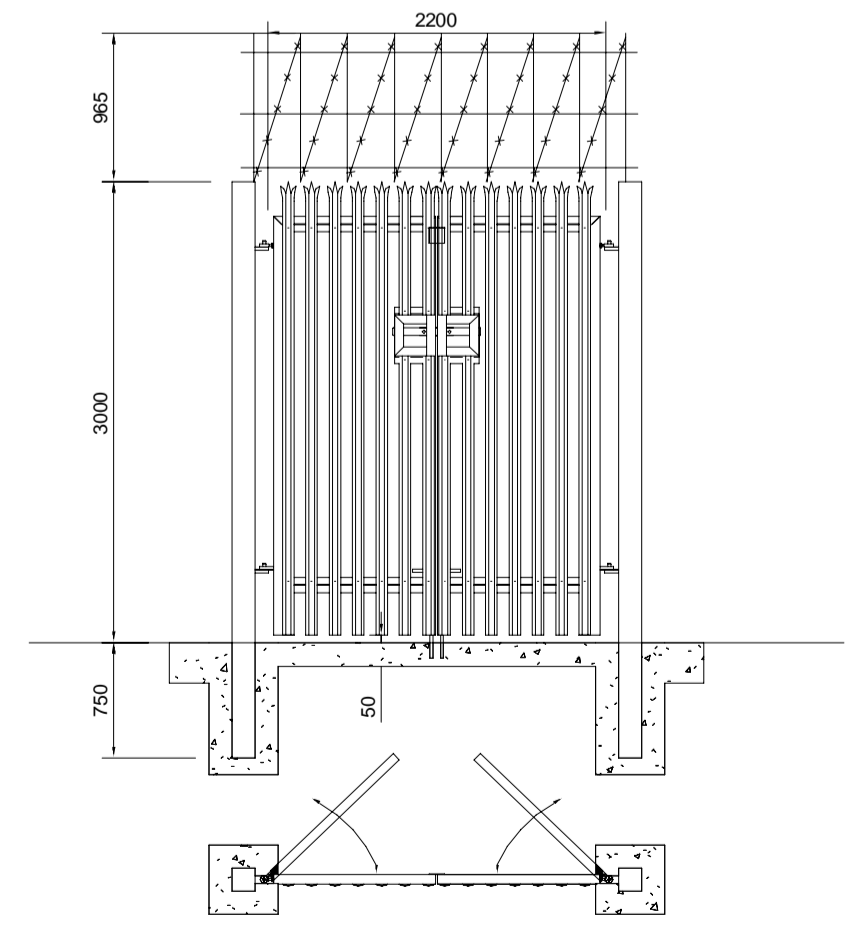
- NOTES:
1. ALL DIMENSIONS IN MILLIMETRES AND LEVELS IN METRES AOD UNLESS NOTED OTHERWISE.
 2. NO DIMENSIONS ARE TO BE SCALED FROM THIS DRAWING.



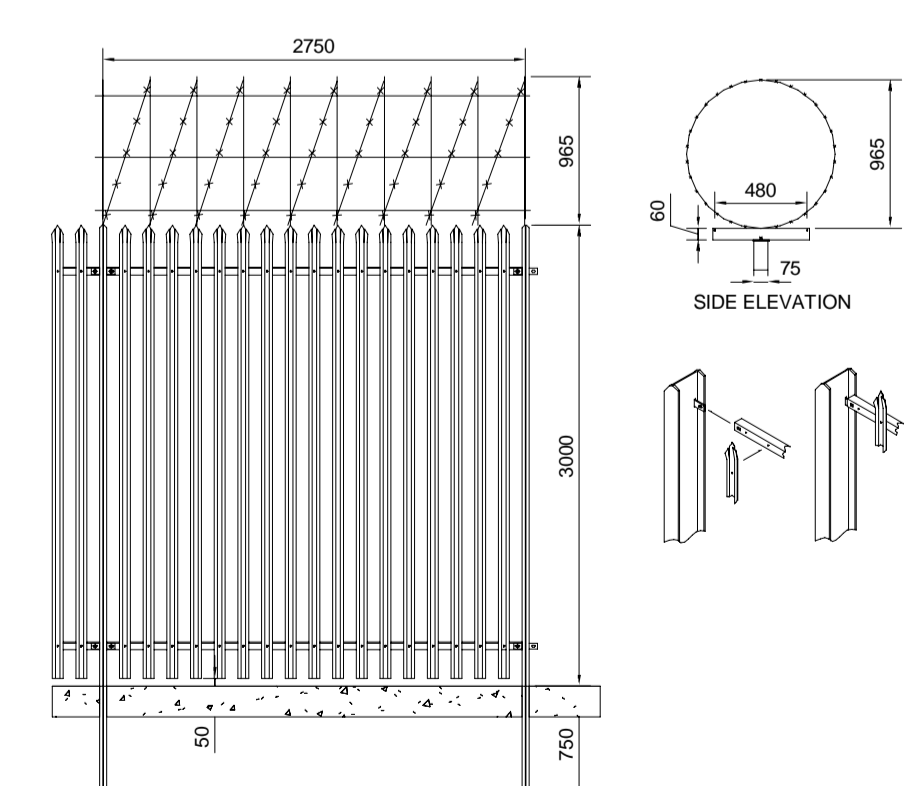
LAMELLA FENCING AND MCC KIOSK PLAN
1 : 200



3M HIGH SINGLE LEAF GATE WITH RAZOR WIRE TOP
SCALE 1:50



3M HIGH DOUBLE GATE WITH RAZOR WIRE TOP
SCALE 1:50



3M HIGH PALISADE FENCING WITH RAZOR WIRE TOP
SCALE 1:50

FENCING DETAILS
1 : 15000

CURRENT ISSUE INFORMATION

| | | | | | |
|------------------|-------------------------|------------------------|-------|-----------------|------------------|
| P04 | EF | DS | SS | For Information | 27/05/21 |
| VERSION | AUTH | CHK | B.CHK | REVD | REASON FOR ISSUE |
| P04 | | Issued For Information | | | |
| SUITABILITY CODE | SUITABILITY DESCRIPTION | | | | |



MMB
MOTT MACDONALD
BENTLEY

UNITED UTILITIES
AMP6 FRAMEWORK
HODDER WTW
LAMELLAS SECURITY FENCING

| | |
|-------------------------------------|------------|
| SCALE | SHEET SIZE |
| As indicated | A1 |
| DRAWING NUMBER | REVISION |
| 80040117-01-MMB-HODDE-97-DR-1-00011 | P01 |