

Stanton Andrews do not accept liability for any loss or degradation of information held in the drawing resulting from the translation from the original file format to any other file format or from the recipient's reading of it in any other programme or on an earlier version of the programme. Stanton Andrews accepts no liability for use of this drawing by parties other than the party for whom it was prepared or for purposes other than those for which it was prepared.

DWG Issues - when this drawing is issued in DWG format it is an uncontrolled version and is provided to enable the recipient to prepare its own documents/drawings for which it is solely responsible. It is based on background information current at the time of issue. Stanton Andrews accepts no liability for any alterations, additions to or discrepancies arising out of changes to such background information which occur after it has been issued by Stanton Andrews.

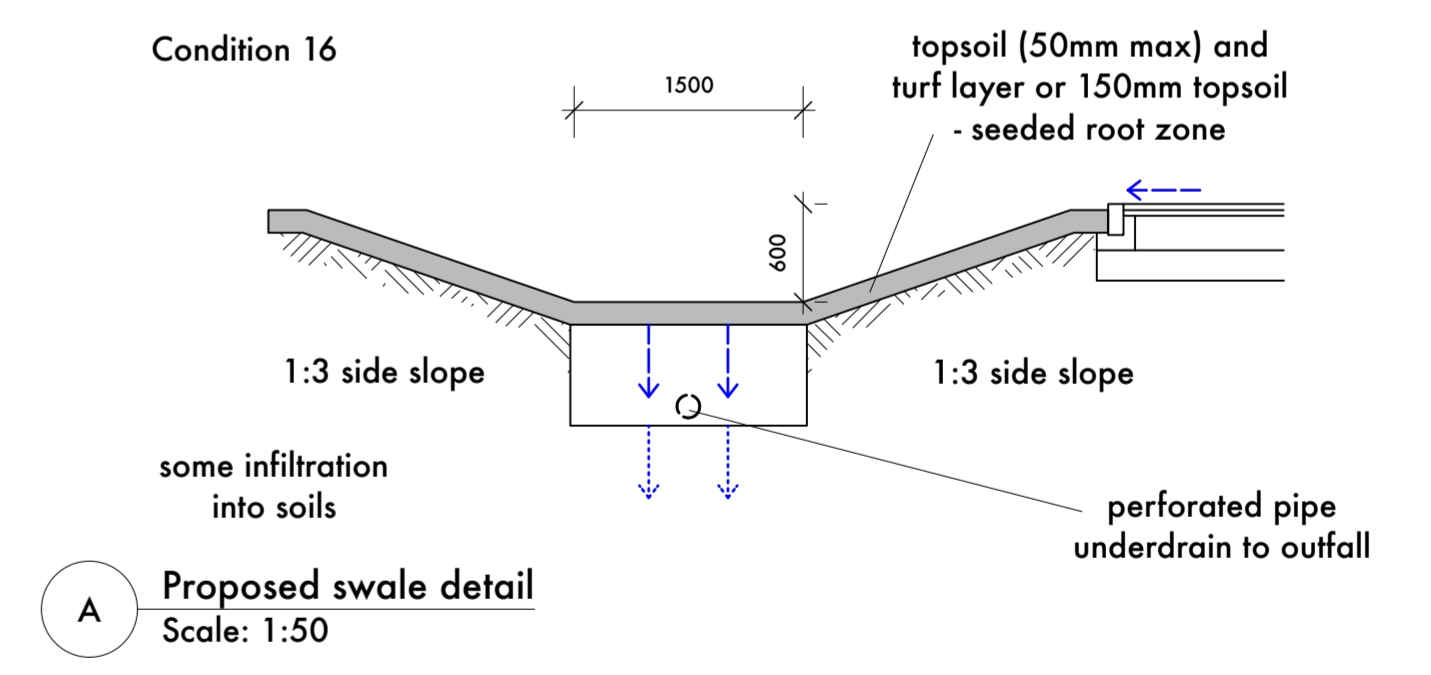
This drawing must be printed in colour, if this text is not RED the drawing must be reprinted.

Do not scale, use figured dimensions only. All dimensions to be checked on site. This drawing should be printed and read at the original size, as stated in the block. Stanton Andrews accept no responsibility for errors that occur as a result of reviewing this drawing at any other size. Stanton Andrews to be notified of any discrepancies before proceeding. Drawing is to be read in conjunction with all relevant consultants and specialists drawings. 'As existing' drawings based on information provided by others - no measured survey of the property has been undertaken by the architect. This drawing is subject to copyright.

revision	date	note
A	july 2018	issued for planning
B	sept 2020	trees RPAs included
C	nov 2020	water attenuation swales shown
D	sept 2021	issued for variation planning application



- KEY**
- grass
 - vegetation
 - eco lodge decking
 - gravel or bark path
 - gravel road
 - water
 - existing tree
 - proposed tree
 - overhead cable
 - hedgerow or other vegetation
 - tree root protection area
 - proposed surface water drainage
 - proposed perforated pipe french drain
 - schwegler B woodcrete bird nest box
 - schwegler 1FFH woodcrete universal bat boxes
 - proposed wildflower mix - 'dual purposed wildflower mix LWXP' - supplied by :-
Landlife Wildflowers. tel. 01285 281902 info@wildflower.co.uk
incl. Black medick, Meadow Buttercup, Red campion
- note
some areas are assumed due to dense vegetation and limited access



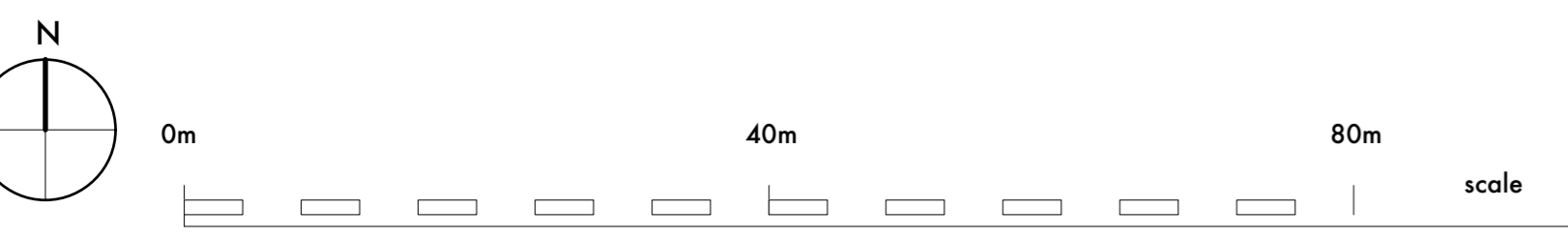
1 Proposed Site Plan
Scale: 1:500

Condition 4

Tree schedule

tree	spec	height
ag	alnus glutinosa (alder)	multi stem 2 - 2.5m
ap	acer pseudoplatanus 'brilliantissimum' (sycamore)	18-20cm girth 4 - 5m (1.8 - 2m clear stem)
bp	betula pendula (silver birch)	multi stem 2 - 2.5m
cbff	carpinus betulus 'frans frontaine' (hornbeam)	14-14cm girth 3 - 4m (1.8 - 2m clear stem)
pp	prunus avium 'plena' (wild cherry)	18-20cm girth 3 - 4m (1.8 - 2m clear stem)
qr	quercus rober (oak)	18-20cm girth 4 - 5m (1.8 - 2m clear stem)

- Condition 22**
- Species conservation**
- Schwegler bat boxes (red)**
- Positioned on suitable trees
 - At heights varying 3-6m and facing directing a south, southwest or west direction
 - To receive 6-8 hours of sunlight
 - Access points clear of obstructions
 - If at time of purchase the specified boxes are unavailable then suitable alternatives may be used
 - Where there are no suitable trees or access to trees is restricted, then boxes are to be placed on trees within the wider site boundaries.
- Schwegler bird boxes (blue)**
- to be positioned on suitable trees (i.e. good mature trees with hedge cover nearby to provide a good source of insect food.
 - at heights of 1.5m or higher although some species (coal and marsh tits) prefer lower nest sites
 - angled so they face away from the prevailing wind (usually south - westerly)
 - If at the time of purchase the specified boxes are unavailable then suitable alternatives may be used



stanton andrews
architects

44 york street clitheroe BB7 2DL
t. 01200 444490 e. mail@stantonandrews.co.uk w. stantonandrews.co.uk

Chartered Practice

project **eaves hall lodges** project number **2148**

name **proposed site plan**

scale 1 to 500 @ A1 date 29.09.2021

PL.01