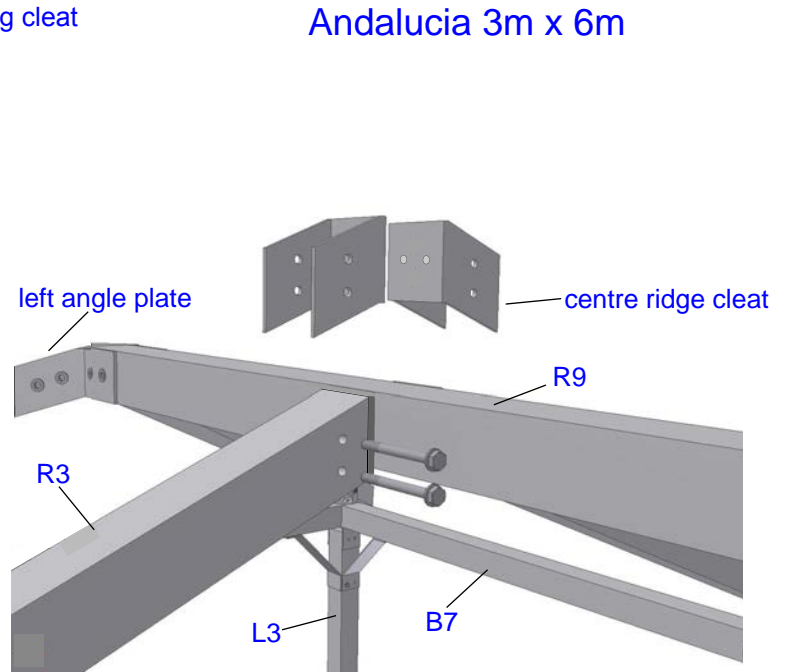
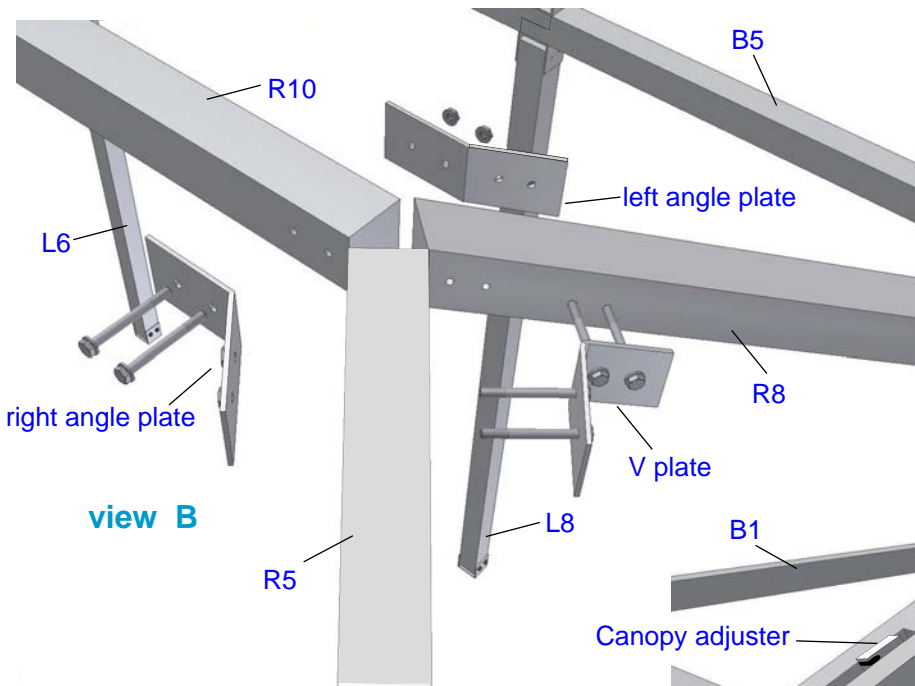


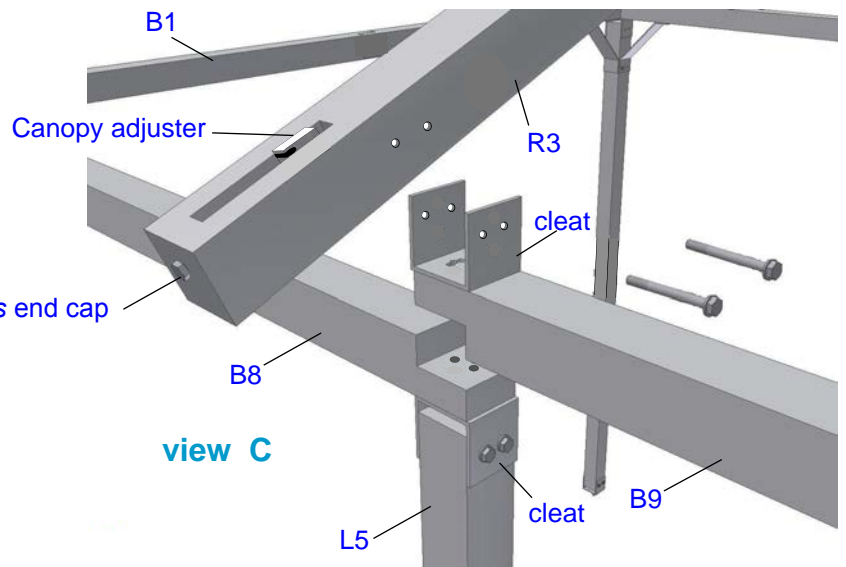
view A



view D



view B



view C

Andalucia 3m x 6m

Stainless steel nuts can occasionally weld themselves to the bolt thread and prevent tightening or removal.

To reduce the likelihood of this happening we include copper anti seize compound. **Before attaching a nut it is essential to smear, about the size of a pea, to the end of each bolt thread and to the full length of the 8 x M10 bolts that are used for the canopy adjusters.**

square white pavilion gazebo end cap large washer
M10 bolt