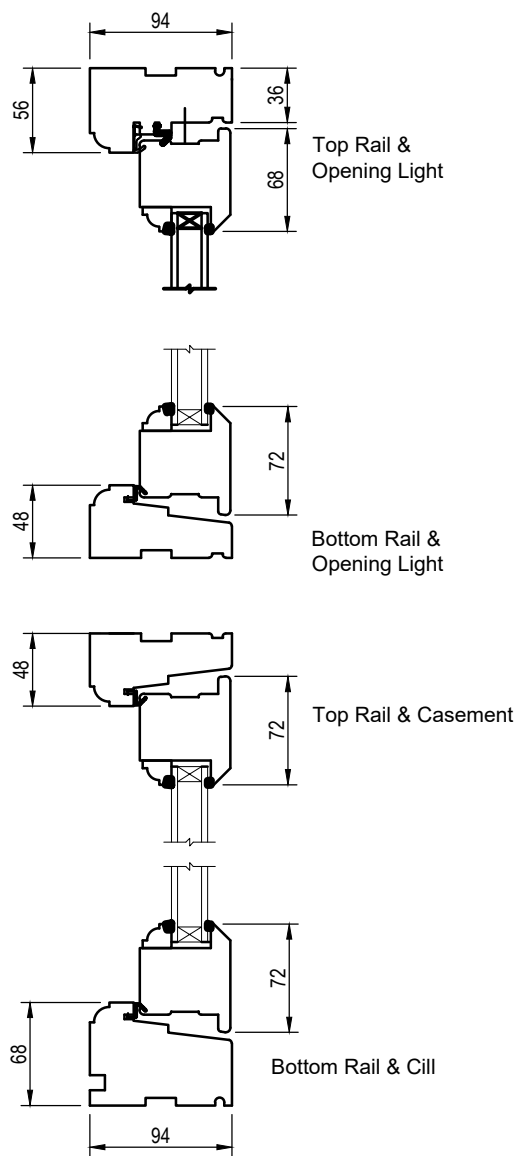
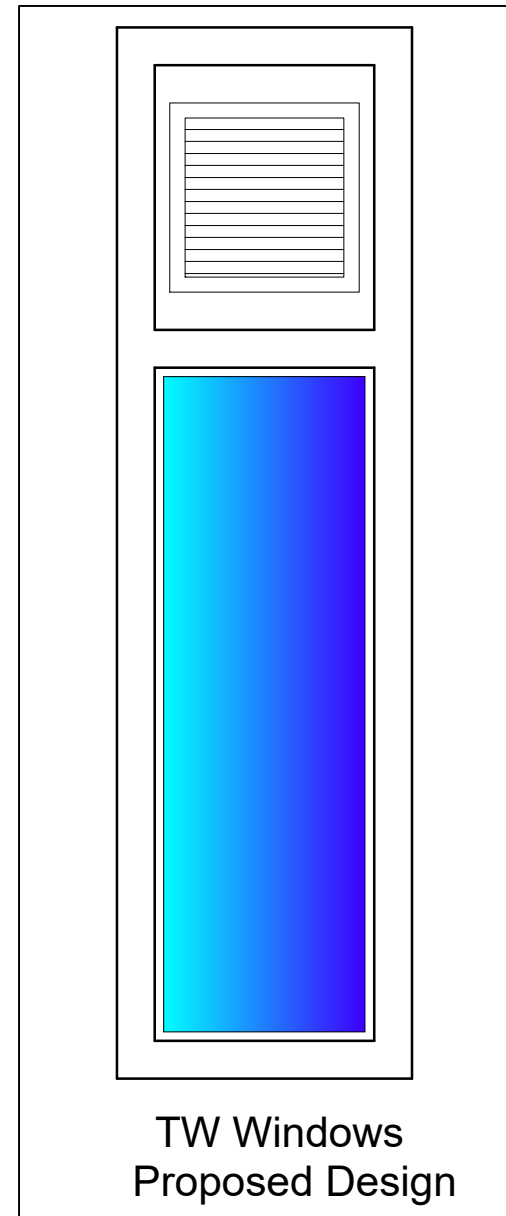


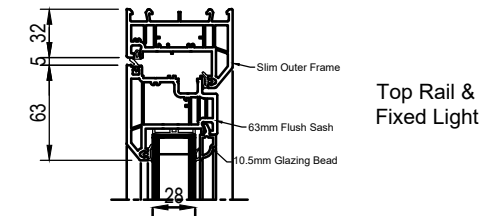
GFR & FFR WINDOWS AS PROPOSED (Scale 1:10)



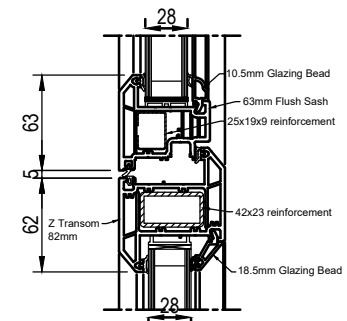
Typical Timber Sections (Scale 1:5)



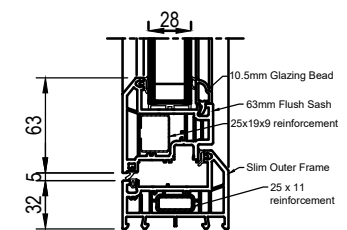
An Example of completed PVCu REHEU RIO Window



Top Rail & Fixed Light



Fixed Top Light & Casement



Bottom Rail & Casement

Typical REHAU RIO Sections (Scale 1:5)

DATE	REV	NOTES



Design & Construction

DESIGN & CONSTRUCTION, LANCASHIRE COUNTY COUNCIL,
PO BOX 100, PR1 0LD. TEL: 0300 1236701

TOWN NAME
CLITHEROE

PREMISES NAME
Brennand's Endowed Primary School
Church Street, Slaidburn BB7 3ER

PREMISES NO.
11 - 067

SCALE ● A3 Var	DRAWN BY MJS	DATE Nov 22	CHECKED BY PR
-------------------	-----------------	----------------	------------------

PROJECT
Refurbishing the existing Windows to Main Building

DRAWING TITLE
Proposed Window Details

DRAWING STATUS
Planning Issue

© LANCASHIRE COUNTY COUNCIL MMXVII
NOTE: ALL RIGHTS DESCRIBED IN CHAPTER IV OF THE COPYRIGHT, DESIGN AND PATENTS ACT 1988 HAVE BEEN GENERALLY ASSERTED.
DIMENSIONS ARE NOT TO BE SCALED FROM THIS DRAWING.
ALL WRITTEN MEASUREMENTS ARE TO BE CHECKED ON SITE BY THE CONTRACTOR.

PROJECT NO. 13068	DRAWING NO. 04	REVISION
----------------------	-------------------	----------