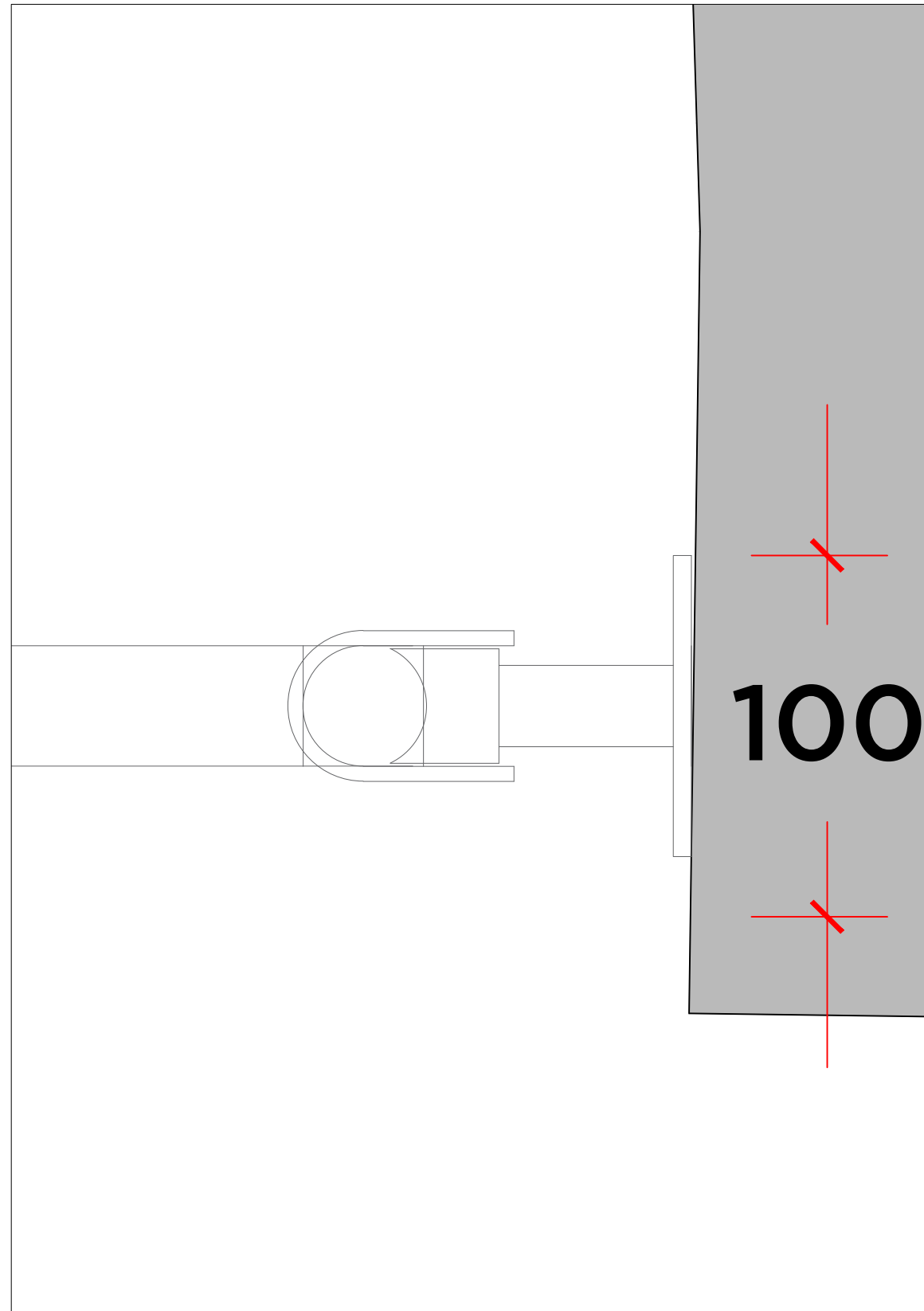


Elevation Detail 1:2



Plan Detail 1:2

Notes:

Rev	Date	Revision

project:

Proposed Access gates
15 York Street
Clitheroe

client:

Mr & Mrs Wood

drawing title:

Bracket Details

scale:

1:2 @ A3

drawn:

DW

date:

12-09-21

drg. no.