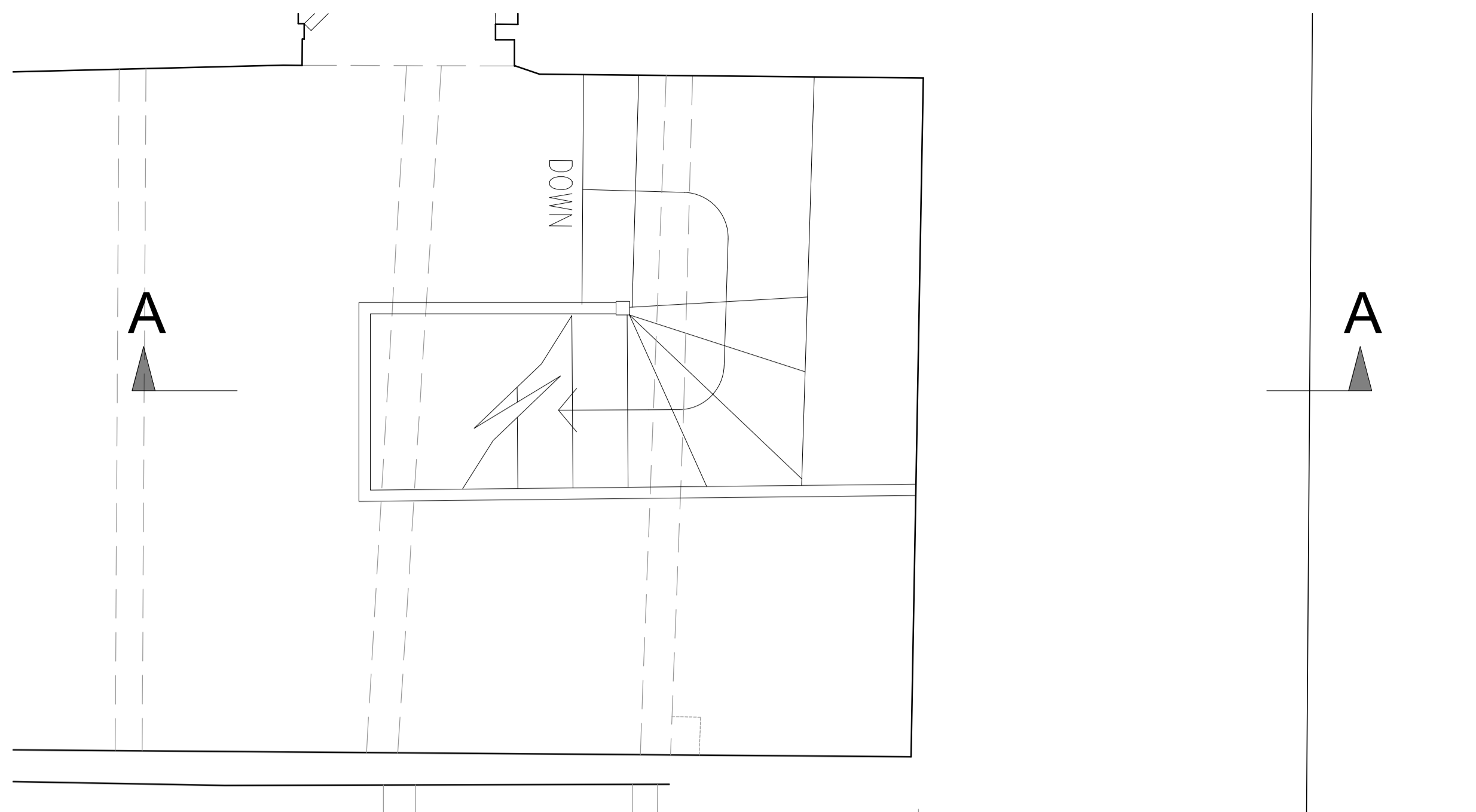
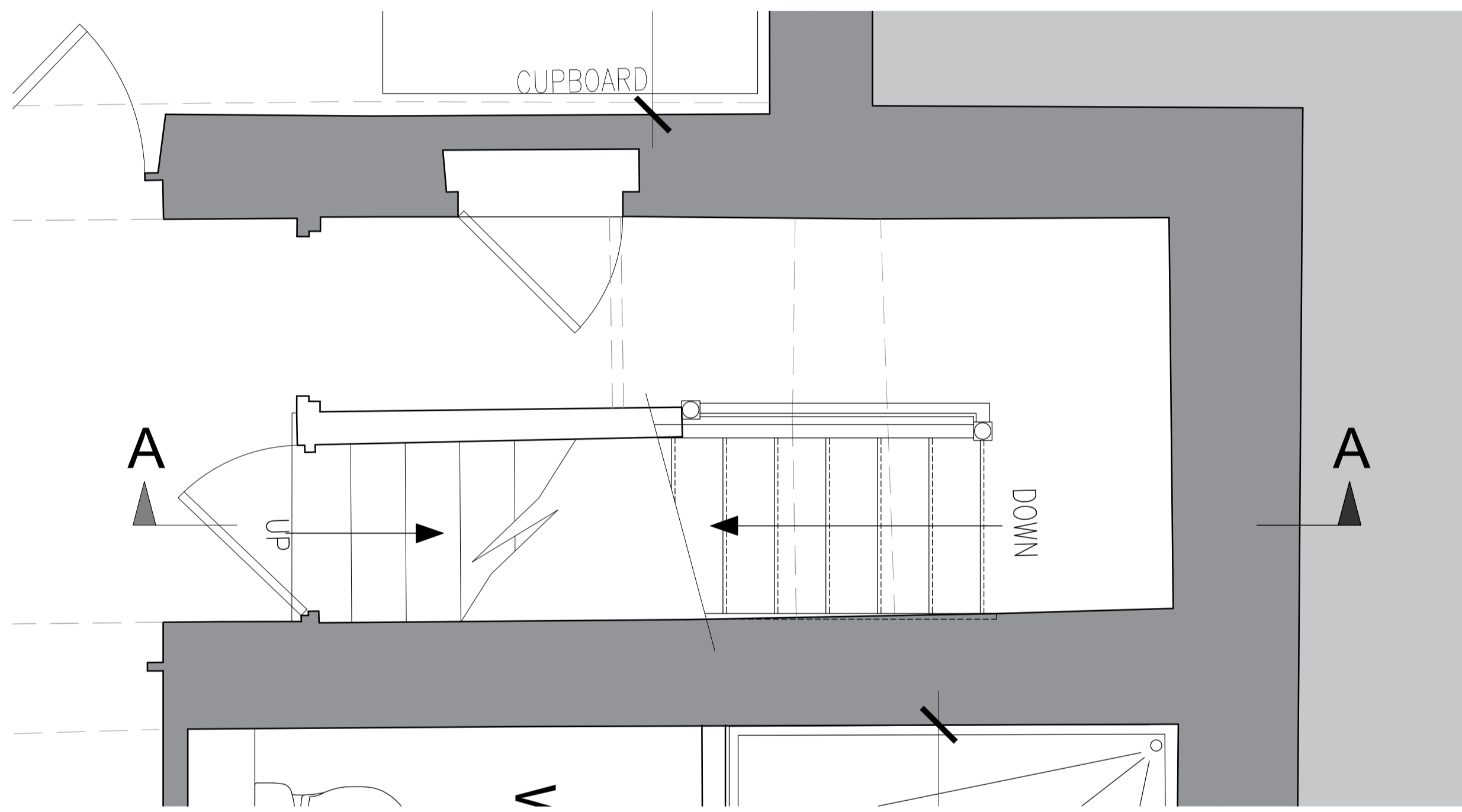


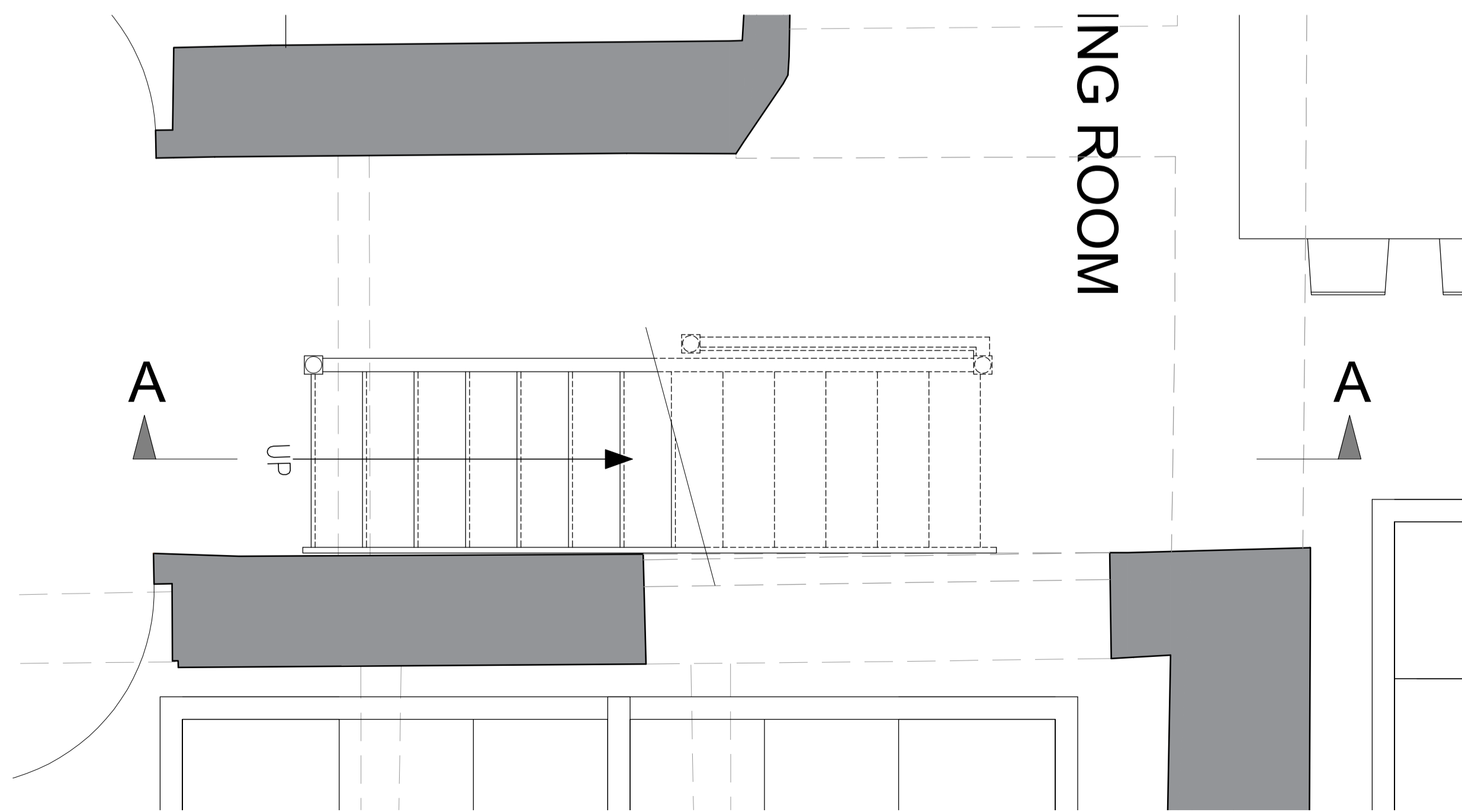
This drawing is to be read in conjunction with all relevant Architect, consultants' and specialist drawings and specifications. The Architect is to be notified of any discrepancies before proceeding. Do not scale from this drawing. All dimensions and levels are to be checked on site. This drawing is subject to copyright. All work carried out before Planning and Building Permission has been granted is at the contractor's risk.



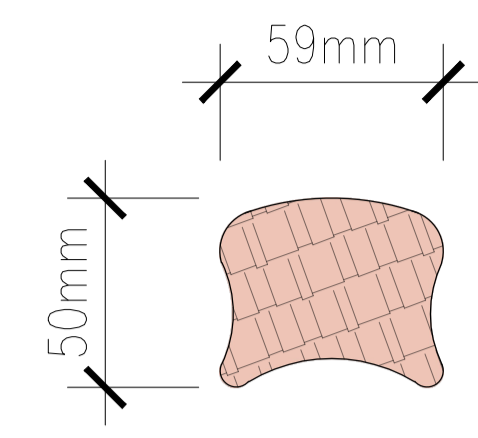
PROPOSED SECOND FLOOR PLAN - 1:20



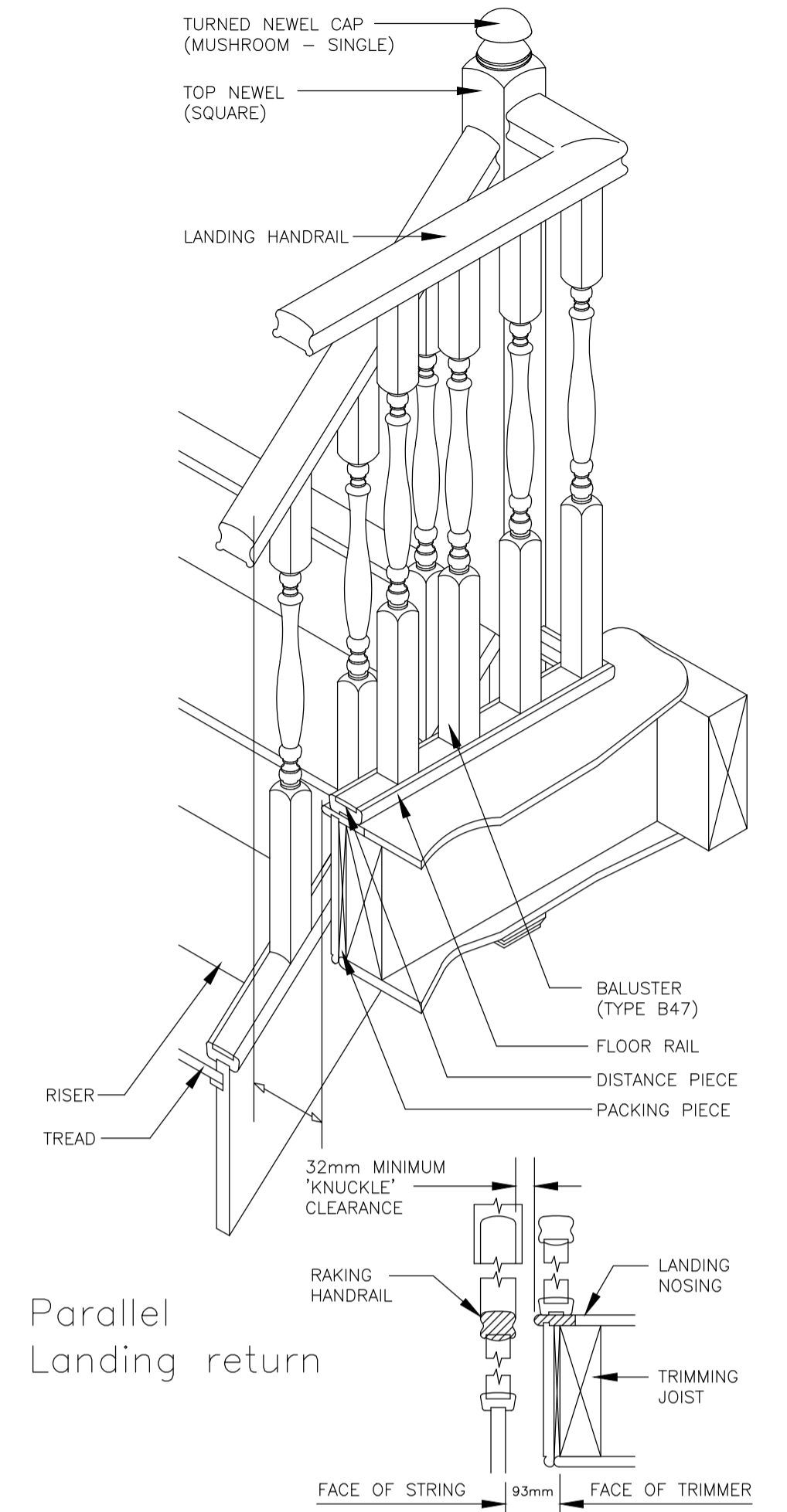
PROPOSED FIRST FLOOR PLAN - 1:20



PROPOSED GROUND FLOOR PLAN - 1:20

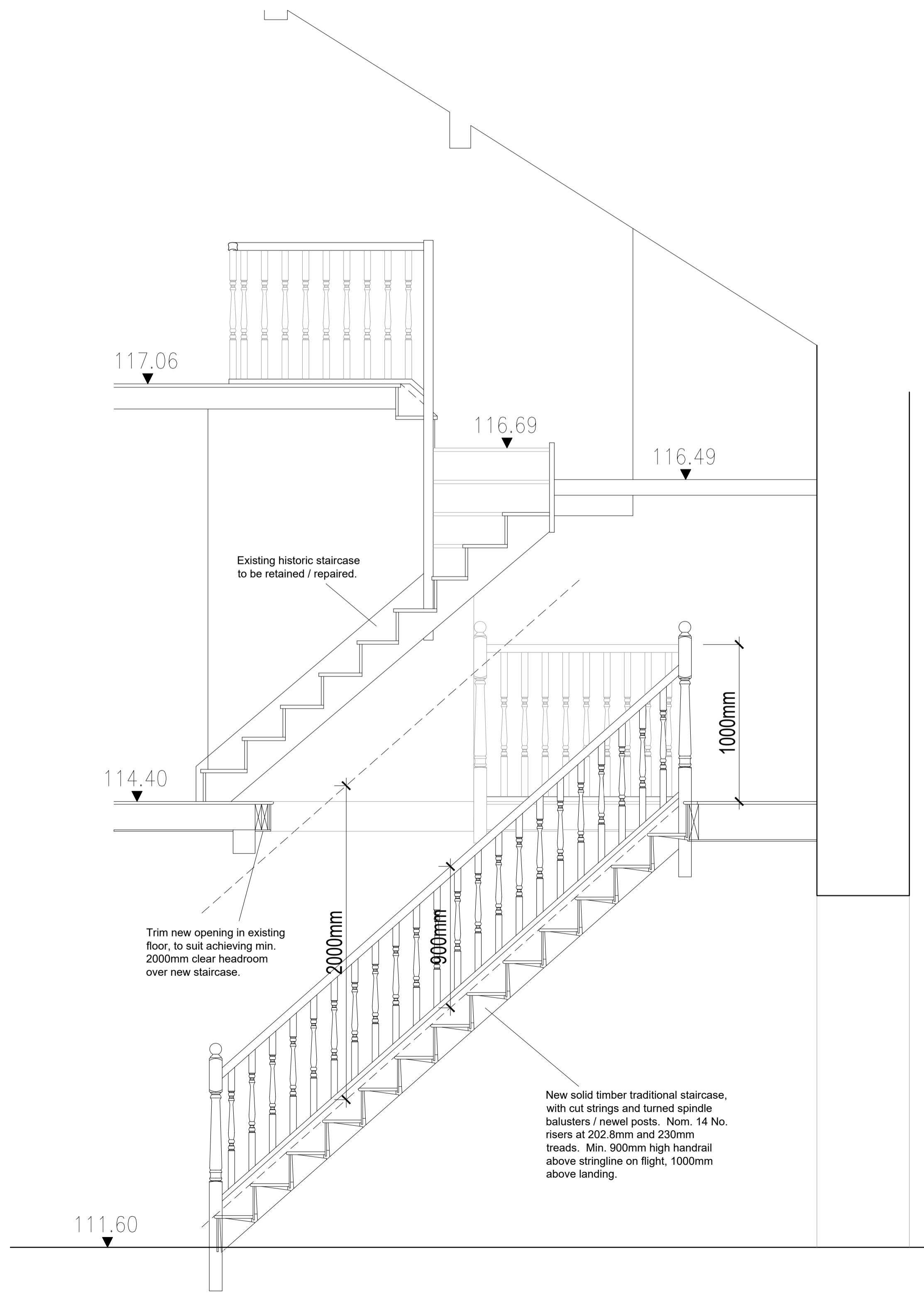


PROPOSED 'LOAF-OF-BREAD' PROFILE HANDRAIL SECTION DETAIL - 1:2



Parallel Landing return

TYPICAL BALUSTRADING DETAILS - NTS



PROPOSED STAIRCASE SECTION - 1:20

Client  
**Taylor and Doody**

Job Title  
**Proposed Alterations to Talbot Hotel, Talbot Street, Chipping**

Drawing Title  
**Proposed New Staircase Plans, Section and Details**

Scale 1:20 @ A1	Date Sept 2022	Drawn RS
--------------------	-------------------	-------------

**spa** ARCHITECTS  
SUNDERLAND PEACOCK & ASSOCIATES LTD.  
HAZELMERE, PRALICO ROAD, CLITHEROE  
LANCASHIRE, BB7 2AG  
T 01204 423178 F 01204 427328  
E info@sunderlandpeacock.com  
www.sunderlandpeacock.com

**6521 - P06** REV -