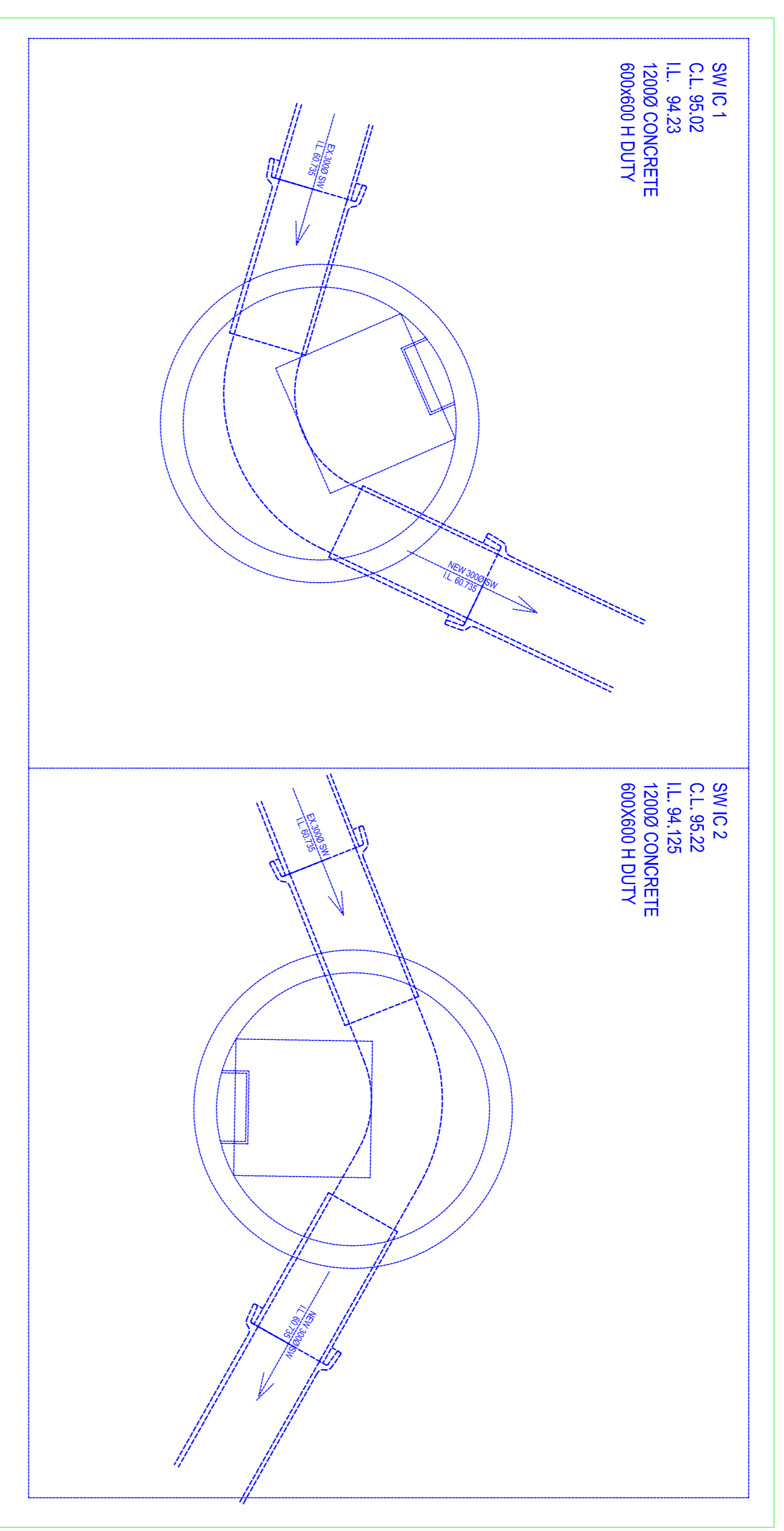




TREATMENT PLANT TO BE BY WFL LTD. (SEE 30) WITH POWERED OUTLET TO DISCHARGE TO SAMMIE CHAMBER. DETAILED DESIGN AND INSTALLATION SPEC BY MANUFACTURER. UNIT BY ANOTHER APPROVED MANUFACTURER MAY BE USED. 27 PERSON POPULATION - FLOW 4900 L/DAY

NEW 12000 SWIC 12000 CONCRETE 600X600 H DUTY DESIGN FLOW 70 US GPM CHANGE 198MM ID



SWIC 1 & 2 INTERNAL LAYOUT - SCALE 1/20

REV	DESCRIPTION	DATE
1	PERSON CHAMBERS REVISION AND LAYOUTS ADDED	16.06.2023
2	DRILLS	09/08/2023

Hamilton Technical Services
 Civil & Environmental Engineering Consultants
 1 Cullitern Ave.,
 Euxton, Chorley,
 Lancs., PR7 6NU
 Tel: 01257 278838
 Mob: 07977 880913
 email: hamiltonservices@gmail.com

Client: **HOMELIFE DEVELOPMENTS LTD**
 Project: **RESIDENTIAL REDEVELOPMENT THE DOGS & PARTRIDGE CHIPPING, PRESTON**
 Title: **PROPOSED DRAINAGE LAYOUT**

Drawn: **A** Date: **13/04/2023**
 Checked: **A** Date: **17/08/2021**
 Scale: **1/20**