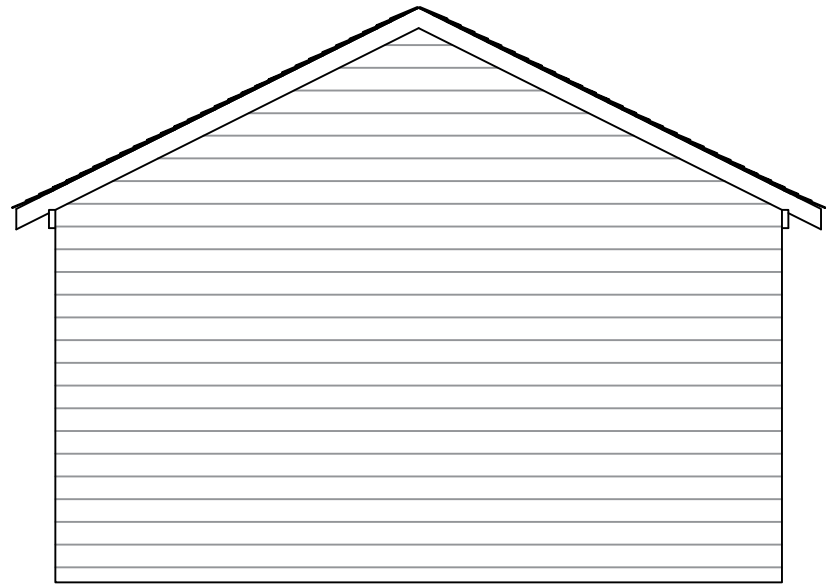
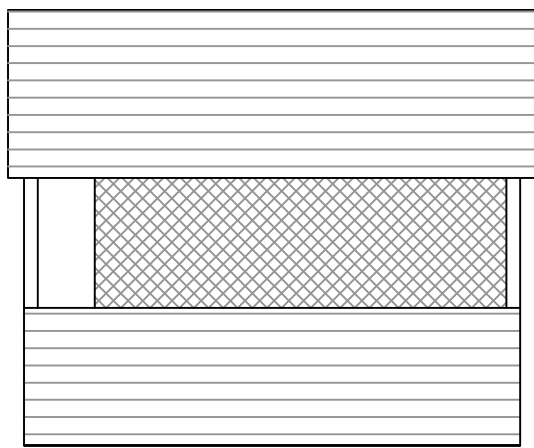


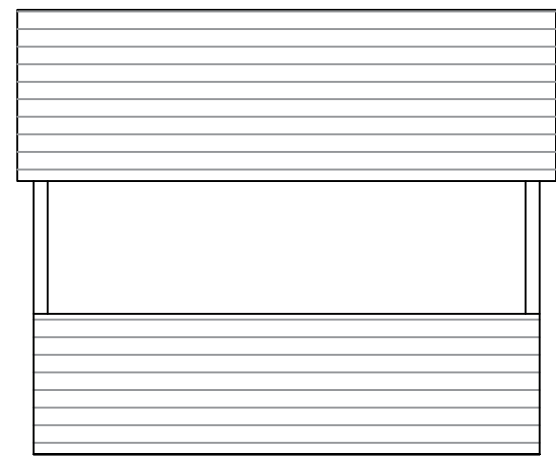
SOUTH ELEVATION



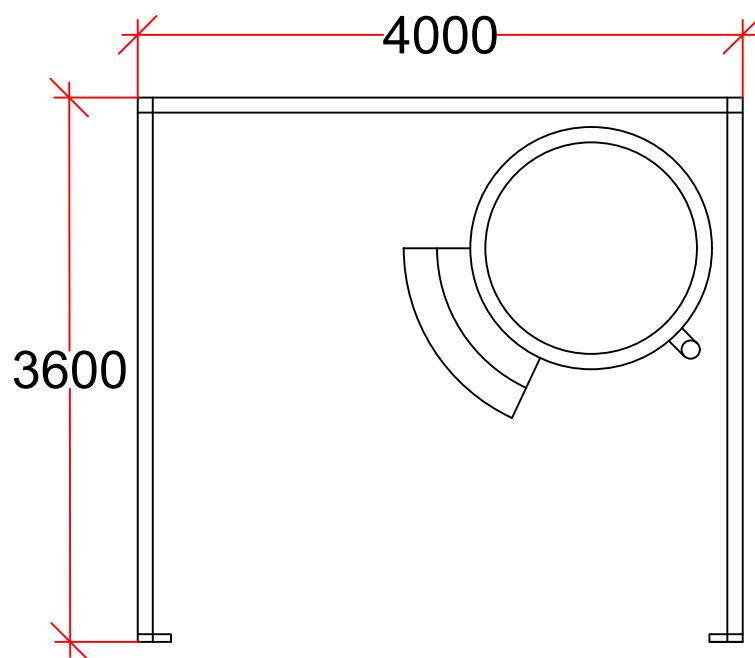
NORTH ELEVATION



SOUTH ELEVATION



WEST ELEVATION



PROPOSED GROUND FLOOR PLAN

Peter Hitchen
Architects

Rev	Date	Revision	client:	scale:
			MR & MRS GRADWELL	1:50 @A3
			project: THE VINES, PRESTON ROAD, RIBCHESTER PR3 3XL – PROPOSED CHANGE OF USE TO OUTBUILDING	drawn: DH checked: PH
			drawing title: PROPOSED PLAN & ELEVATIONS HOT TUB TIMBER CANOPY (PITCHED)	date: 26/06/2023
				project no. PHA/122
				drg. no.
				rev.