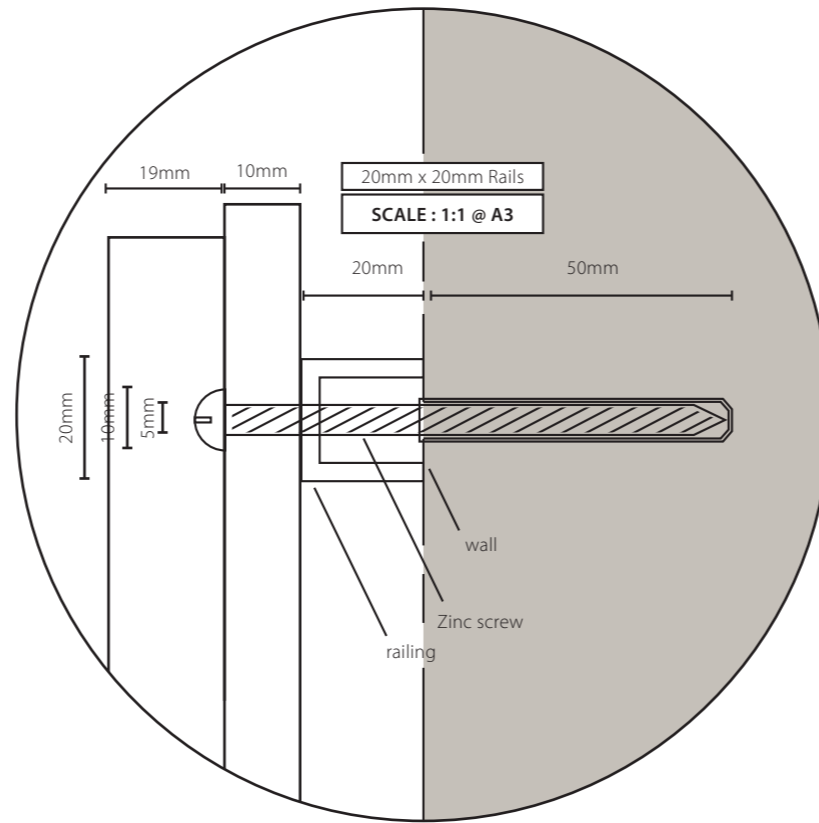


Method of fixing for Item B1 and B2.  
Rails to reduce fixings.



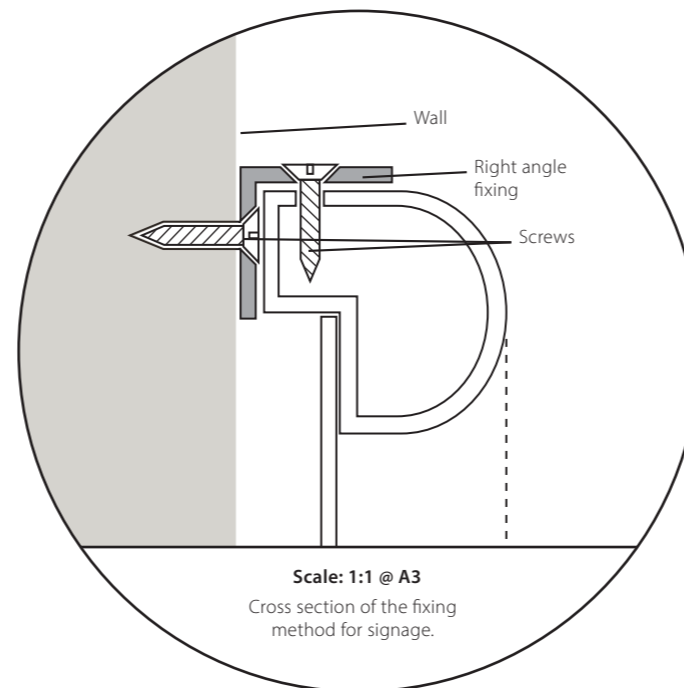
NOT TO SCALE  
Visual shown is for illustration purpose only



Method of fixing for Item C, F, G and H.



NOT TO SCALE  
Visual shown is for illustration purpose only



The designs, illustrations, and photography is the property of CSI Ltd. The contents are confidential, any form of reproduction, copying disclosure, modification or distribution without prior written consent is strictly prohibited.

Please note all colours shown are representative only and will not match sign products exactly. Please note paint codes and pantone codes where indicated.

Visuals shown are artists impressions only and must not be taken as an exact representation of the completed signage on site.

**Project:** Bayley Arms, Hurst Green

**Drawn By:** K.D

**Drawing No:** CSI 006 K F

**Date:** 09/06/2022

**Revision:** 4