

Scale : 1:10 @ A3

Item C. 1no. Powder coated aluminium amenity boards with applied vinyl lettering. (see CSI 006 K F for fixing details)

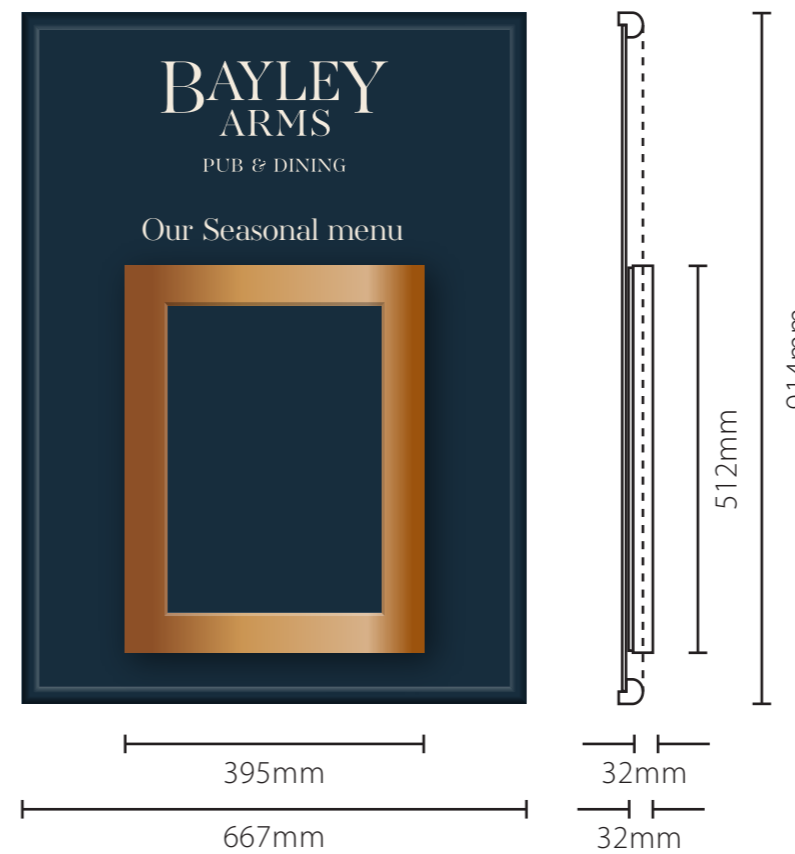
G/CI - 1150mm D - 32mm



Scale : 1:10 @ A3

Item F. 1no. Powder coated aluminium amenity board with Copper internally illuminated menu case. (see CSI 006 K F for fixing details)

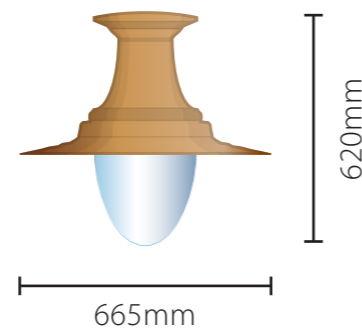
G/CI - 1150mm D - 32mm



Scale : 1:20 @ A3

Item D. 2no. Copper lanterns.

G/CI - 3000mm D - 665mm



Scale : 1:20 @ A3

Item H. 1no. Replace existing A0 correx frame. On existing posts.

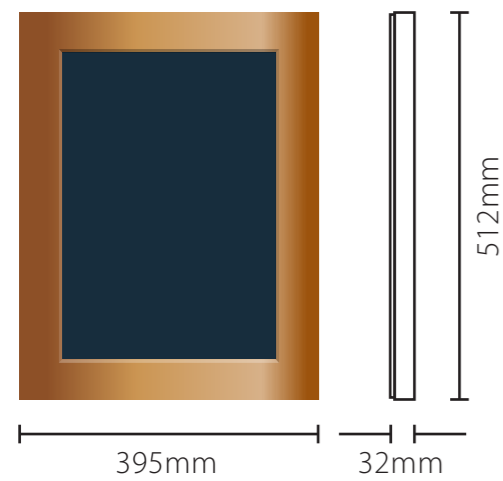
G/CI - 1200mm D - 82mm



Scale : 1:10 @ A3

Item G. 1no. Copper internally illuminated menu case. (see CSI 006 K F for fixing details)

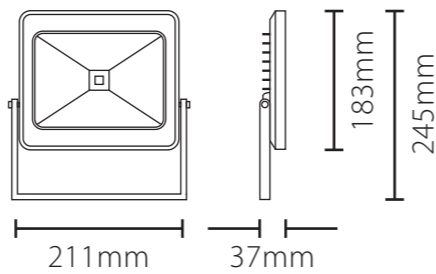
G/CI - 1700mm D - 32mm



Scale : 1:10 @ A3

Item E. 6no. Floodlights. (see CSI 006 K G for details)

G/CI - 5500mm D - 245mm



SPECIALIST SIGNAGE CONTRACTORS

UNIT 14
 CREAMERY INDUSTRIAL ESTATE
 BARNACRE, PRESTON
 LANCASHIRE
 PR3 1GD
 01995 604122
 design@csisigns.co.uk

The designs, illustrations, and photography is the property of CSI Ltd. The contents are confidential, any form of reproduction, copying disclosure, modification or distribution without prior written consent is strictly prohibited.

Please note all colours shown are representative only and will not match sign products exactly. Please note paint codes and pantone codes where indicated.

Visuals shown are artists impressions only and must not be taken as an exact representation of the completed signage on site.

Project: Bayley Arms, Hurst Green

Drawn By: K.D

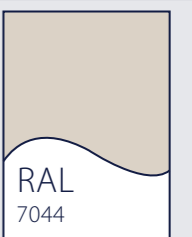
Drawing No: CSI 006 K C

Date: 09/06/2022

Revision: 4



F&B
 Slipper Satin
 Building
 Signage
 Vinyls



RAL
 7044
 Fascia boards



F&B
 Hague Blue
 Letters
 Vinyls
 Signwriting

